



Chipsmall Limited consists of a professional team with an average of over 10 year of expertise in the distribution of electronic components. Based in Hongkong, we have already established firm and mutual-benefit business relationships with customers from,Europe,America and south Asia,supplying obsolete and hard-to-find components to meet their specific needs.

With the principle of “Quality Parts,Customers Priority,Honest Operation,and Considerate Service”,our business mainly focus on the distribution of electronic components. Line cards we deal with include Microchip,ALPS,ROHM,Xilinx,Pulse,ON,Everlight and Freescale. Main products comprise IC,Modules,Potentiometer,IC Socket,Relay,Connector.Our parts cover such applications as commercial,industrial, and automotives areas.

We are looking forward to setting up business relationship with you and hope to provide you with the best service and solution. Let us make a better world for our industry!



Contact us

Tel: +86-755-8981 8866 Fax: +86-755-8427 6832

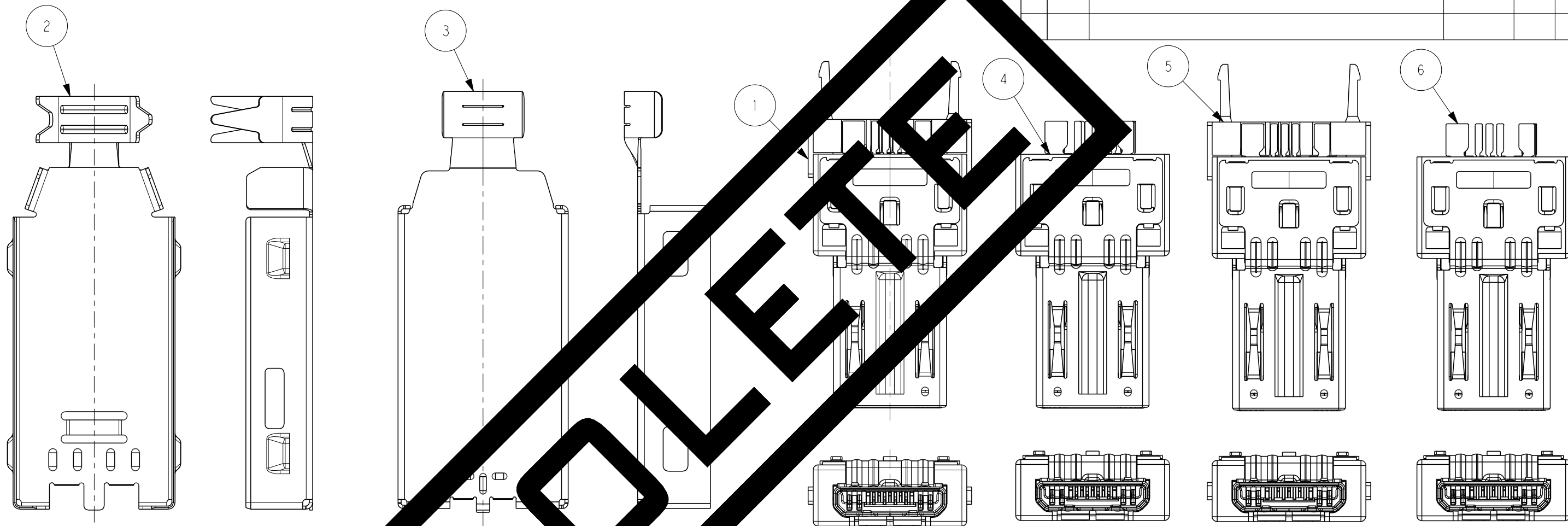
Email & Skype: info@chipsmall.com Web: www.chipsmall.com

Address: A1208, Overseas Decoration Building, #122 Zhenhua RD., Futian, Shenzhen, China



P	LTR	DESCRIPTION	DATE	DWN	APVD
	A	ECR-15-013671	17SEP2015	B.L	H.W

REFERENCE: COVER SHELL ASSEMBLY



5+4 / FOR PCB SOLDER	2-2199225-4	COVER SHELL (BOTTOM)	2199301-2	1	③
		COVER SHELL (TOP)	2199297-2	1	②
		SEMI PLUG ASSY	1-2199225-2	1	⑥
5+4 / FOR WIRE SOLDER	2-2199225-3	COVER SHELL (BOTTOM)	2199301-2	1	③
		COVER SHELL (TOP)	2199297-2	1	②
		SEMI PLUG ASSY	1-2199225-1	1	⑤
5+4+4 / FOR PCB SOLDER	2-2199225-2	COVER SHELL (BOTTOM)	2199301-2	1	③
		COVER SHELL (TOP)	2199297-2	1	②
		SEMI PLUG ASSY	2199225-2	1	④
5+4+4 / FOR WIRE SOLDER	2-2199225-1	COVER SHELL (BOTTOM)	2199301-2	1	③
		COVER SHELL (TOP)	2199297-2	1	②
		SEMI PLUG ASSY	2199225-1	1	①
APPLICABLE CABLE ASSY	PART NO. FOR KIT	DESCRIPTION	PART NO.	QTY	ITEM

- ITEM 2, 3 ARE IN ASSEMBLY
- PACKAGING QUANTITY: 100
- MATERIAL:
 - REFER TO NOTE 3.
 - TOP SHELL: STAINLESS STEEL, THICKNESS=0.3±0.015.
 - BOTTOM SHELL: STAINLESS STEEL, THICKNESS=0.3±0.015.

THIS DRAWING IS A CONTROLLED DOCUMENT.

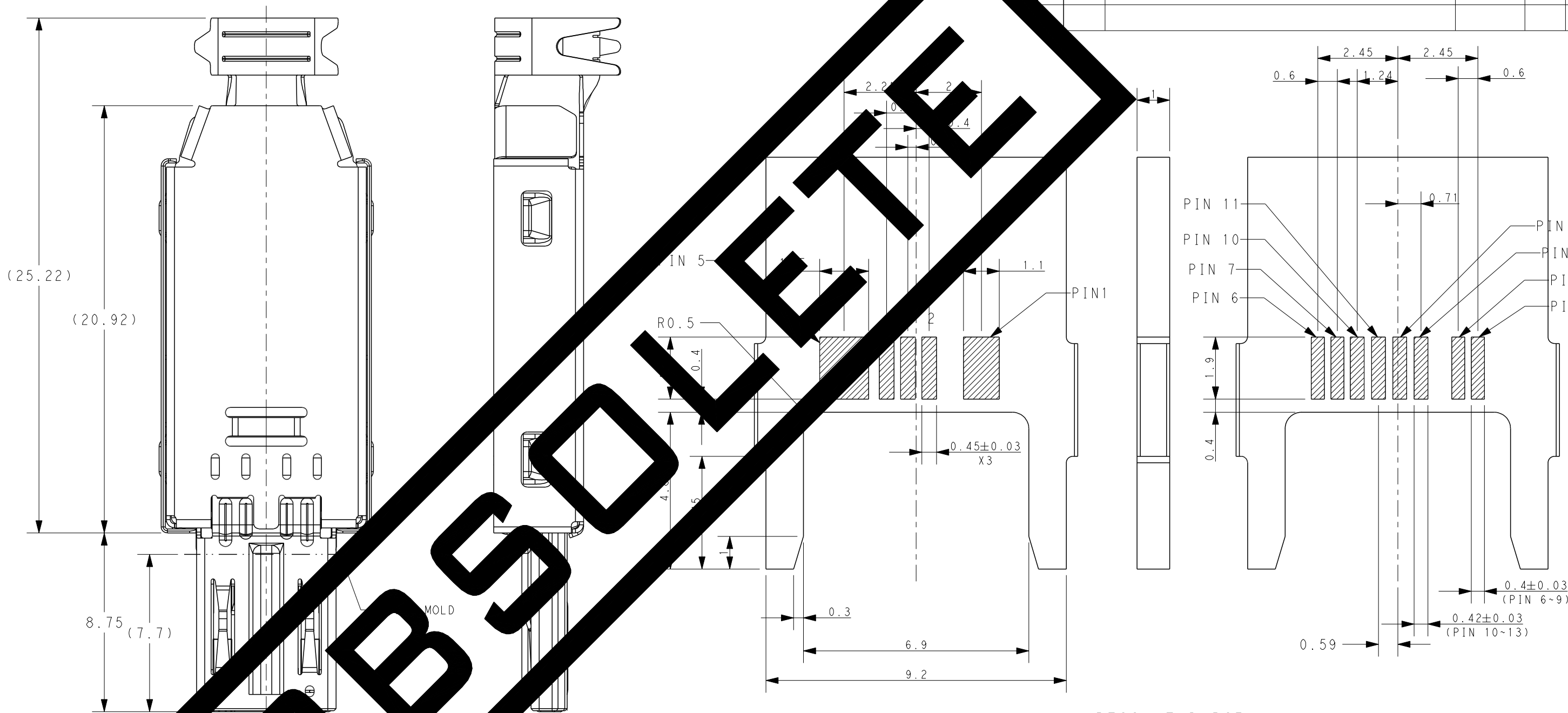
DIMENSIONS: mm	TOLERANCES UNLESS OTHERWISE SPECIFIED: 0 PLC ±0.25 1 PLC ±0.25 2 PLC ±0.15 3 PLC ±0.15 4 PLC ±0.15 ANGLES ±3°	DWN N. TSAI 17-Sep-15 CHK G. SHIH 17-Sep-15 APVD M. CHAO 17-Sep-15 PRODUCT SPEC 108-115055 APPLICATION SPEC 501- WEIGHT	NAME MULTI I/O 5+4+4 CABLE PLUG KIT
MATERIAL SEE NOTE 3	FINISH SEE NOTE 4	SIZE A300779	CAGE CODE C-2199225
Customer Drawing		SCALE 4:1	SHEET 1 OF 3
		RESTRICTED TO	REV A

TE Connectivity

REVISIONS

P	LTR	DESCRIPTION	DATE	DWN	APVD
-	-	SEE SHEET 1	-	-	-

REFERENCE: COVER SHELL ASSEMBLY

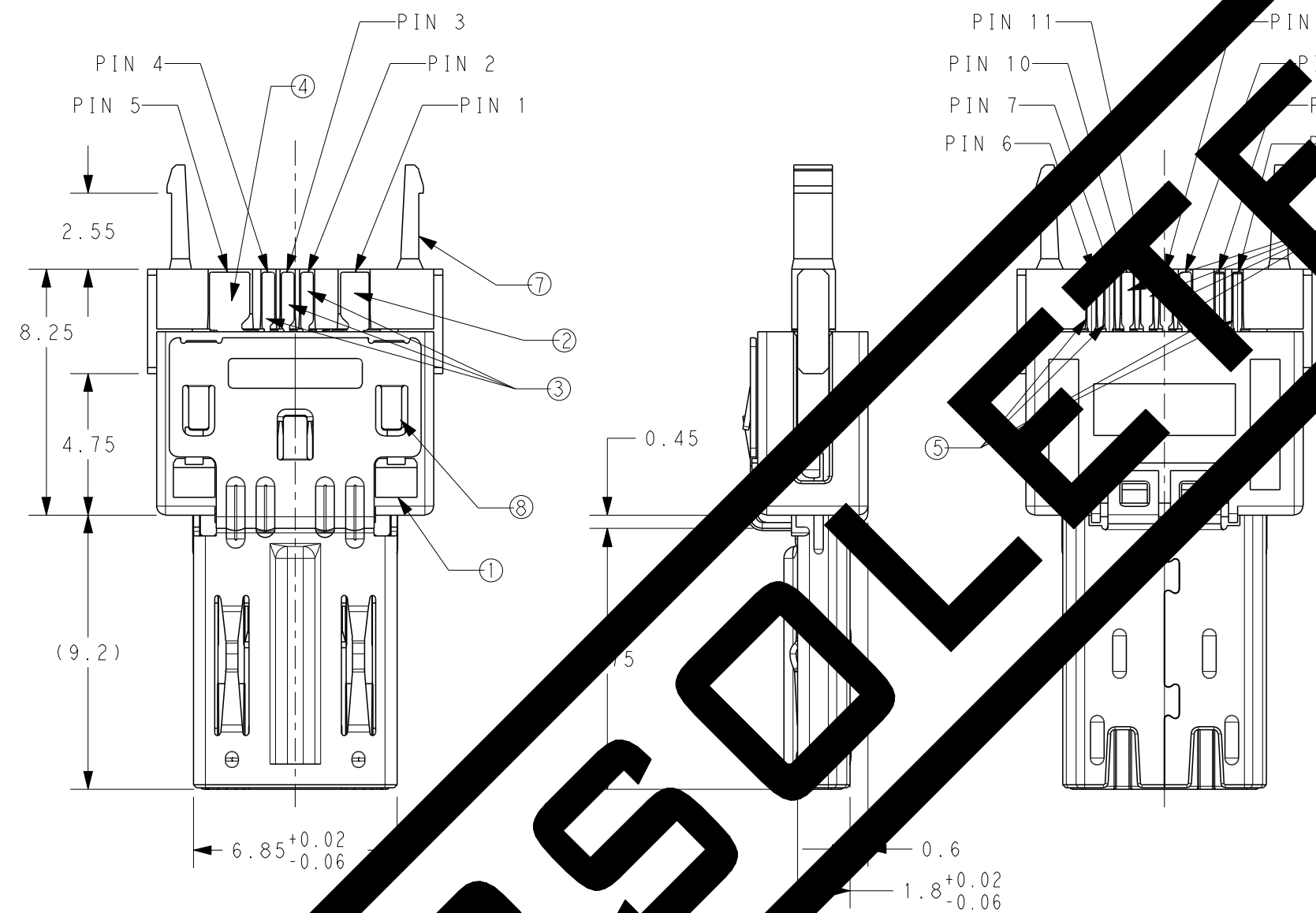


RECOMMEND PCB FOR PCB SOLUTION TOLERANCE: ± 0.05

THIS DRAWING IS A CONTROLLED DOCUMENT.		DWN	-	STE TE Connectivity	
		CHK	-		
DIMENSIONS: mm		APVD	-	NAME MULTI I/O 5+4+4 CABLE PLUG KIT	
TOLERANCES UNLESS OTHERWISE SPECIFIED:		PRODUCT SPEC	-	SIZE	
0 PLC	± 0.25	APPLICATION SPEC	-	CAGE CODE	DRAWING NO
1 PLC	± 0.25		-	A300779	C-2199225
2 PLC	± 0.15	WEIGHT	-	RESTRICTED TO	
3 PLC	± 0.15		-	-	
4 PLC	± 0.15		-	Customer Drawing	
ANGLES	$\pm 3^\circ$		-	SCALE	5:1
FINISH	-		-	SHEET	2 OF 3
				REV	A

THIS DRAWING IS UNPUBLISHED. RELEASED FOR PUBLICATION 20
 © COPYRIGHT 20 BY - ALL RIGHTS RESERVED.

REVISIONS				
P	LTR	DESCRIPTION	DATE	APVD
-	-	SEE SHEET 1	-	-



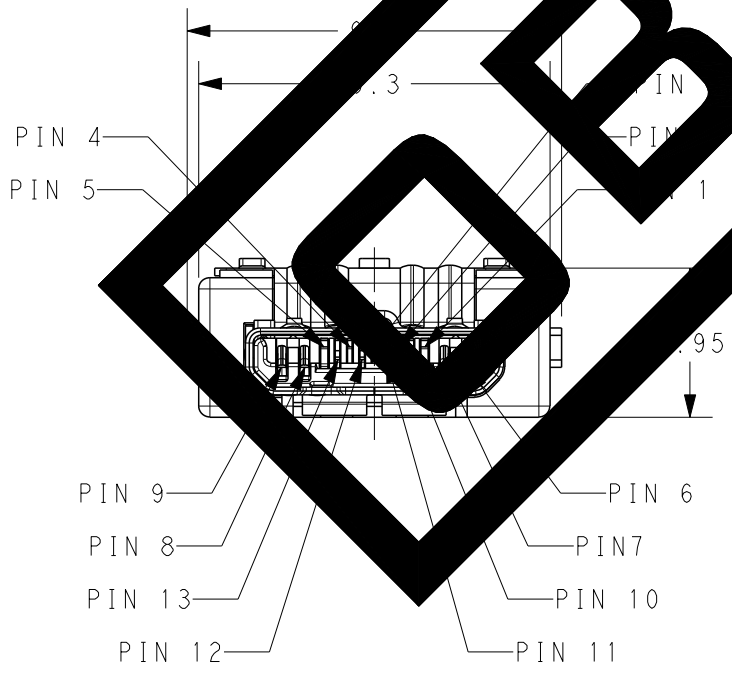
REFERENCE: SEMI ASSEMBLY

1. MATERIAL:
- ① HOUSING: HIGH TEMPERATURE THERMOPLASTIC, UL94 V-0, COLOR: BLACK.
 - ② USB POWER CONTACT (PIN1): COPPER ALLOY, THICKNESS=0.2±0.015.
 - ③ USB 2 SIGNAL CONTACT (PIN2~4): COPPER ALLOY, THICKNESS=0.127±0.015.
 - ④ USB GROUND CONTACT (PIN5): COPPER ALLOY, THICKNESS=0.2±0.015.
 - ⑤ USB 3 CONTACT (PIN6~9): COPPER ALLOY, THICKNESS=0.2±0.015.
 - ⑥ SIGNAL PIN10~13: COPPER ALLOY THICKNESS=0.127±0.015.
 - ⑦ TINE PLATE: HIGH TEMPERATURE THERMOPLASTIC, UL94 V-0, COLOR: BLACK.
 - ⑧ FOUNT SHELL: STAINLESS STEEL, THICKNESS=0.2±0.015.
2. FINISH:
- CONTACT: 0.75um[30u"] MIN. GOLD PLATING ON CONTACT AREA AND 2.5um[100u"] MIN. TIN ON SOLDER AREA OVER 1.3um[50u"] MIN. NICKEL UNDER PLATING.
 - SHELL: NON-PLATED.

PIN NO.	SIGNAL NAME
13	CONTROL -4
12	CONTROL -3
11	CONTROL -2
10	CONTROL -1
9	StdA_SSTX+
8	StdA_SSTX-
7	StdA_SSRX+
6	StdA_SSRX-
5	GND-uUSB
4	ID
3	D+
2	D-
1	VBUS

PIN DEFINITION (REFERENCE)

QTY	DESCRIPTION	ITEM
1	BASE SHELL	8
1	TINE PLATE	7
4	CONTACT PIN10~13	6
1	CONTACT PIN 6,7,8,9	5
3	CONTACT PIN 5	4
1	CONTACT PIN 2,3,4	3
4	CONTACT PIN 1	2
1	HOUSING	1



THIS DRAWING IS A CONTROLLED DOCUMENT.

DIMENSIONS: mm	TOLERANCES UNLESS OTHERWISE SPECIFIED:	DWN	TE Connectivity
	0 PLC ±0.25	CHK	
	1 PLC ±0.25	APVD	
MATERIAL	2 PLC ±0.15	PRODUCT SPEC	
	3 PLC ±0.15	APPLICATION SPEC	MULTI I/O 5+4+4 CABLE PLUG KIT
	4 PLC ±0.15	WEIGHT	SIZE
	ANGLES ±3°	Customer Drawing	CAGE CODE
		SCALE	DRAWING NO
		5:1	A300779C-2199225
		SHEET	RESTRICTED TO
		3 OF 3	-
		REV	A