



Chipsmall Limited consists of a professional team with an average of over 10 year of expertise in the distribution of electronic components. Based in Hongkong, we have already established firm and mutual-benefit business relationships with customers from,Europe,America and south Asia,supplying obsolete and hard-to-find components to meet their specific needs.

With the principle of “Quality Parts,Customers Priority,Honest Operation,and Considerate Service”,our business mainly focus on the distribution of electronic components. Line cards we deal with include Microchip,ALPS,ROHM,Xilinx,Pulse,ON,Everlight and Freescale. Main products comprise IC,Modules,Potentiometer,IC Socket,Relay,Connector.Our parts cover such applications as commercial,industrial, and automotives areas.

We are looking forward to setting up business relationship with you and hope to provide you with the best service and solution. Let us make a better world for our industry!



Contact us

Tel: +86-755-8981 8866 Fax: +86-755-8427 6832

Email & Skype: info@chipsmall.com Web: www.chipsmall.com

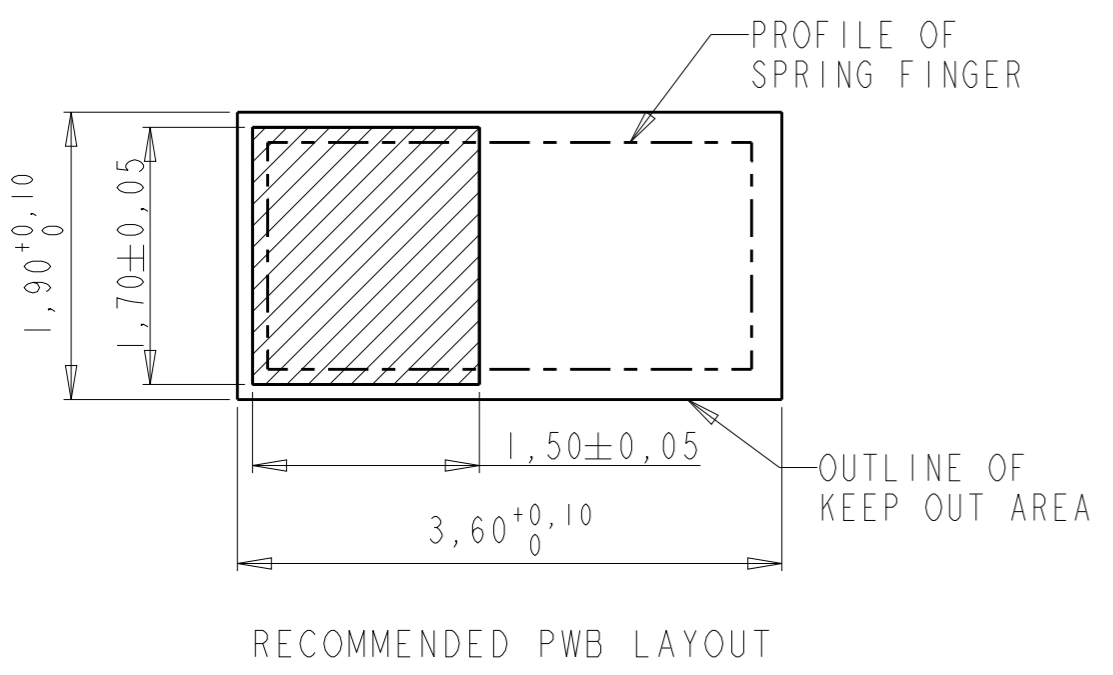
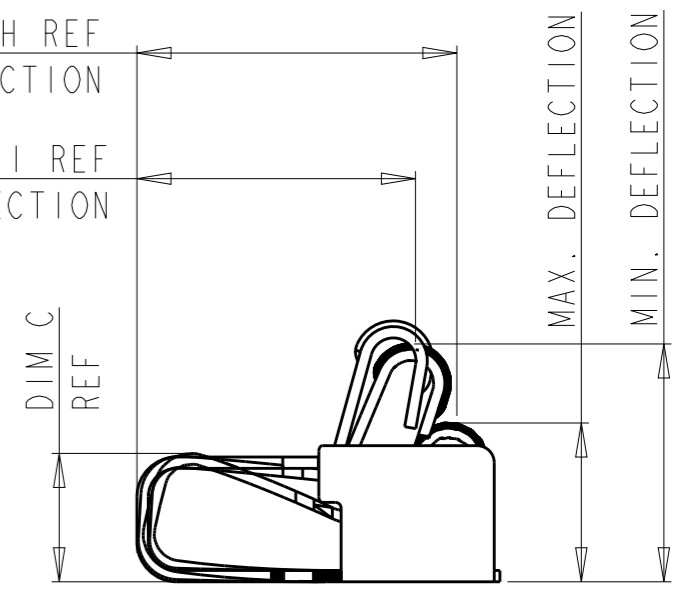
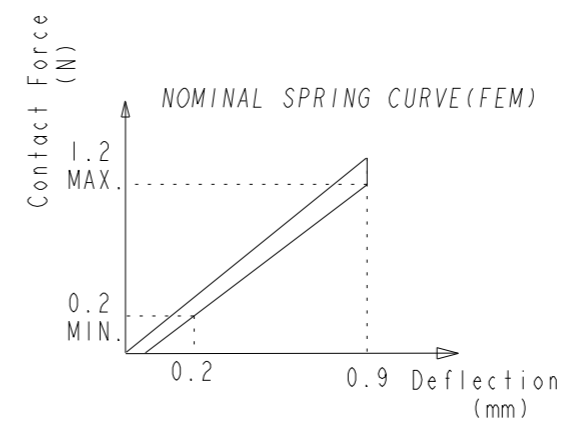
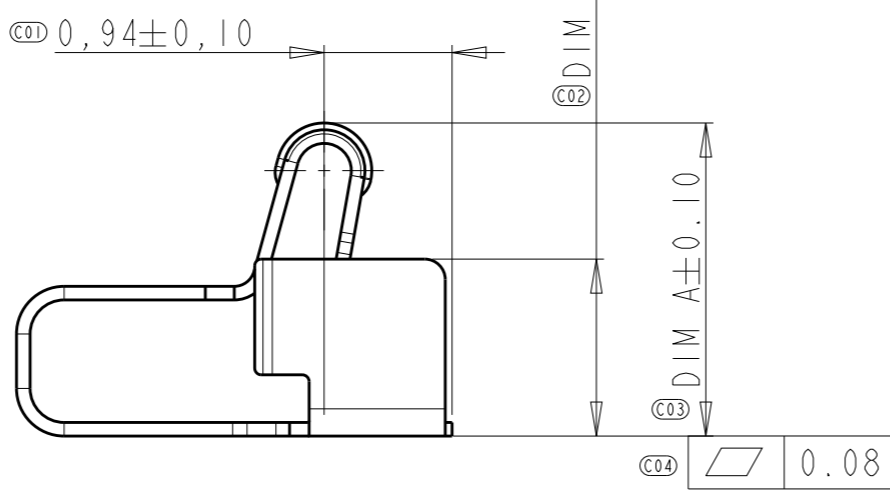
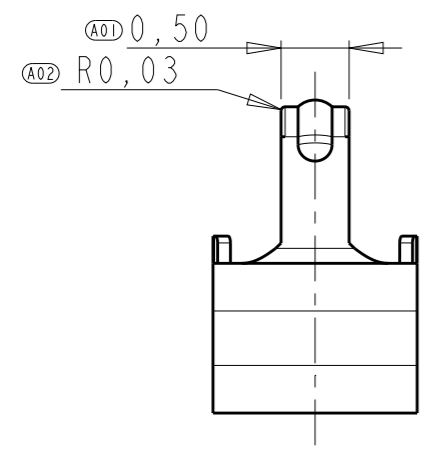
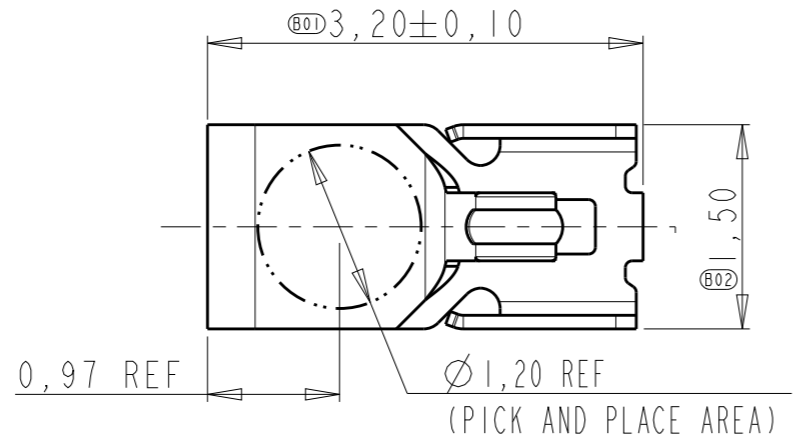
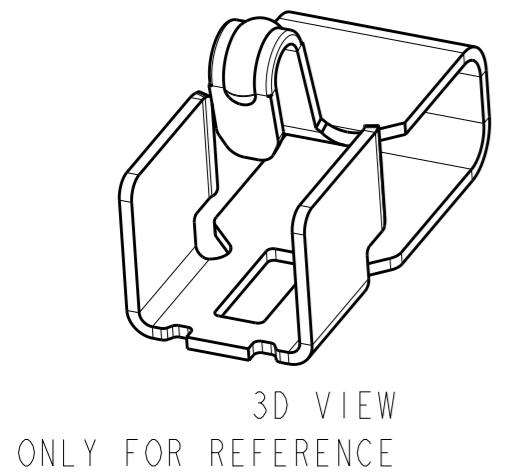
Address: A1208, Overseas Decoration Building, #122 Zhenhua RD., Futian, Shenzhen, China



THIS DRAWING IS UNPUBLISHED. RELEASED FOR PUBLICATION
 © COPYRIGHT - BY - ALL RIGHTS RESERVED.

LOC	DIST	REVISIONS			
P	LTR	DESCRIPTION	DATE	DWN	APVD
ES	00	A	RELEASED	23JUL2014	J. J W. H
		AI	ECR-14-015254	15OCT2014	T. Q W. H

TE P/N	DIM A	DIM B	DIM C	DIM H	DIM I	WORK RANGE	QUANTITY
2199249-3	2.0	1.0	0.83	2.76	2.40	1.1~1.8	7000
2199249-4	2.3	1.3	1.13	2.80	2.44	1.4~2.1	6000

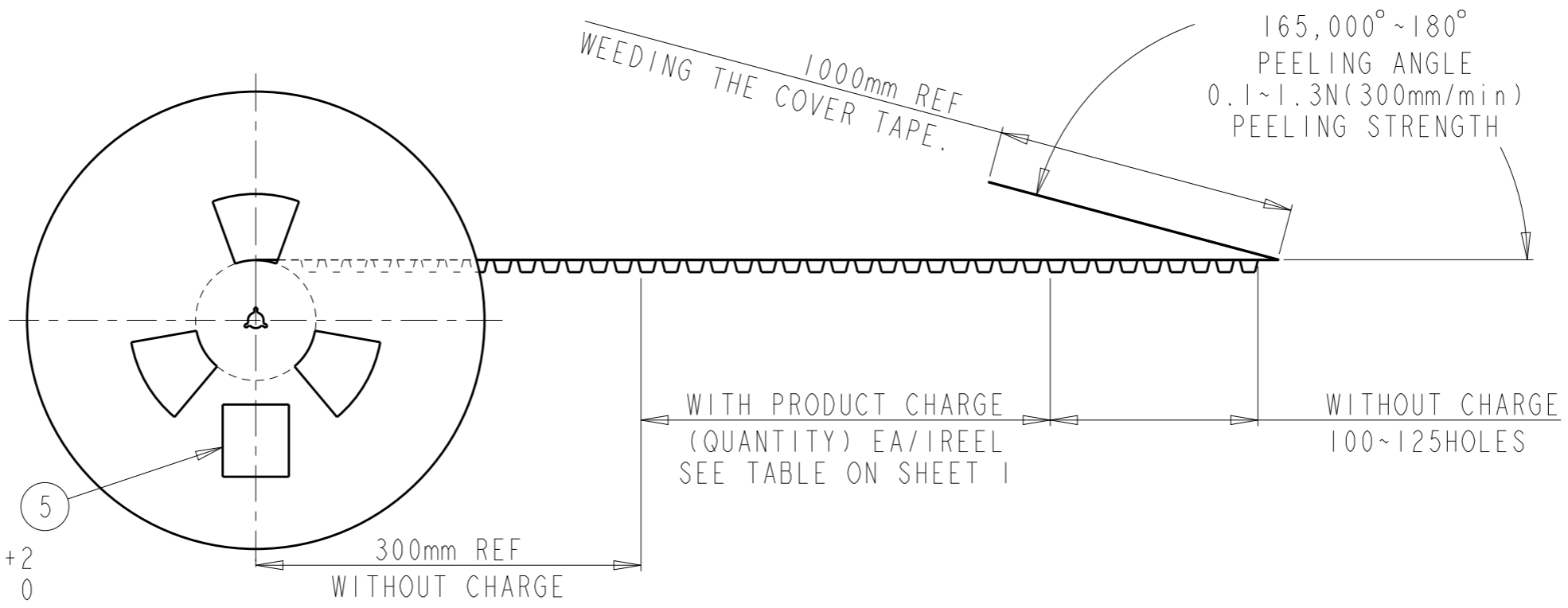
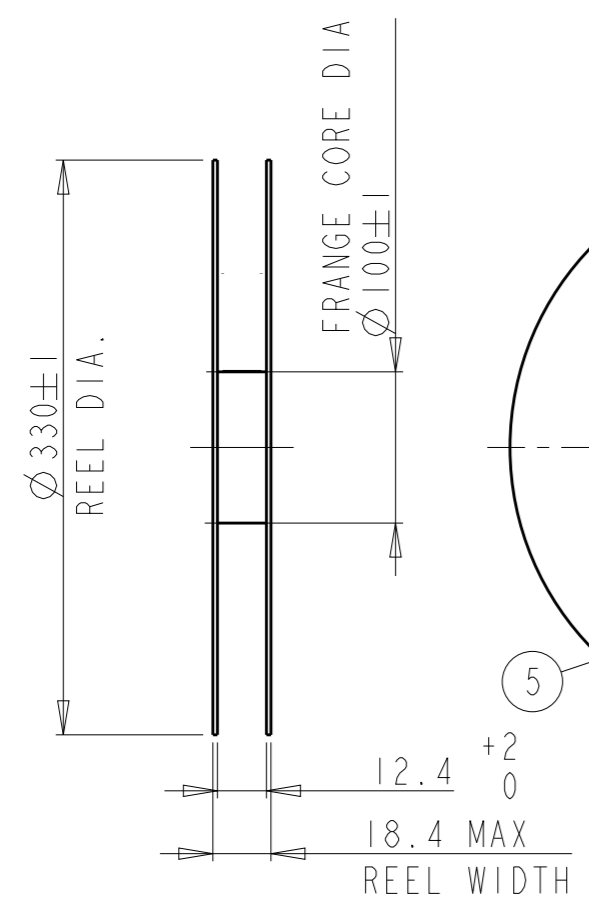
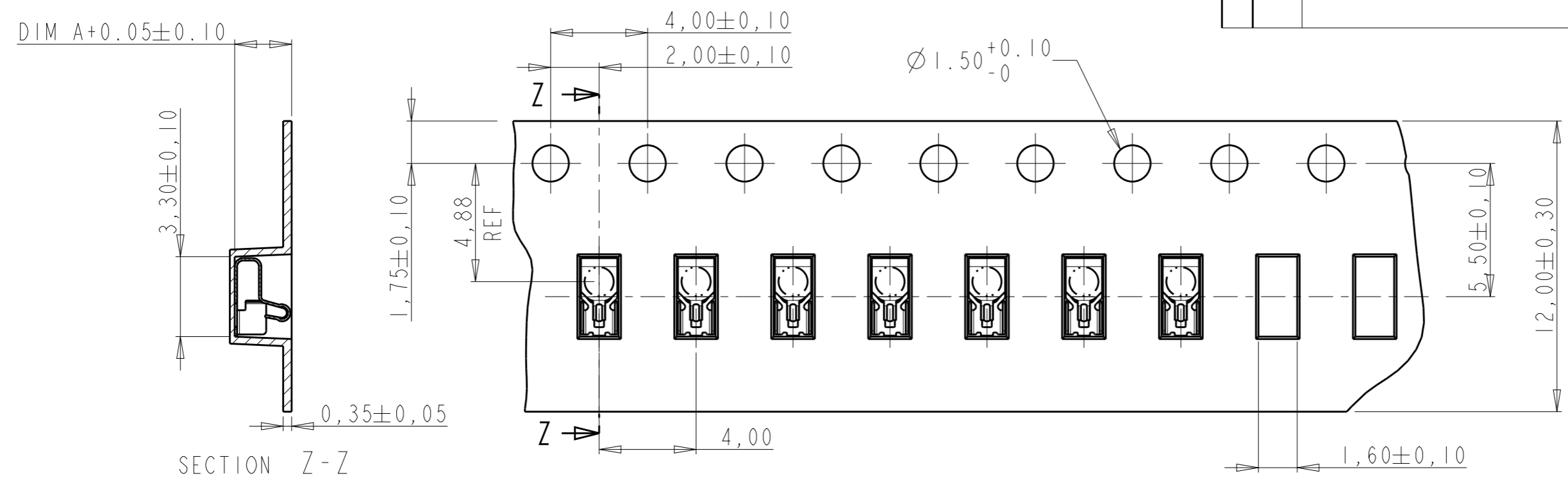



- 1 PART NUMBER: SEE TABLE.
- 2 MATERIAL: PHOSPHOR BRONZE, THICKNESS=0.10MM.
- 3 PLATING: 2um MIN. NICKEL UNDERLAYER ALL OVER
0,50um MIN. GOLD ON CONTACT SURFACE
GOLD FLASH ON SOLDERING SURFACE
- 4 PICK AND PLACE SURFACE Ø1.2MM.

THIS DRAWING IS A CONTROLLED DOCUMENT.		DWN 18JAN2013 Tony Zhang	TE Connectivity	
DIMENSIONS: mm		CHK 18JAN2013 Wenke He		
TOLERANCES UNLESS OTHERWISE SPECIFIED:		APVD 18JAN2013 Wenke He	NAME SPRING FINGER TYPE B	
0 PLC ±0.2 1 PLC ±0.15 2 PLC ±0.15 3 PLC ±0.10 4 PLC ANGLES ±5°		PRODUCT SPEC 108-115061-1	RESTRICTED TO	
MATERIAL		APPLICATION SPEC	SIZE A3	CAGE CODE 00779
FINISH		WEIGHT	DRAWING NO C=2199249	SCALE 25:1
		CUSTOMER DRAWING	SHEET 1 OF 2	
		REV AI		

THIS DRAWING IS UNPUBLISHED. RELEASED FOR PUBLICATION
 © COPYRIGHT BY ALL RIGHTS RESERVED.

LOC		DIST		REVISIONS					
ES		00		P	LTR	DESCRIPTION	DATE	DWN	APVD



THIS DRAWING IS A CONTROLLED DOCUMENT.		DWN	18JAN2013		 TE Connectivity
		CHK	18JAN2013		
		APVD	18JAN2013		
		NAME	Wenke He		
DIMENSIONS:		PRODUCT SPEC		NAME	
mm		108-115061-1		SPRING FINGER TYPE B	
TOLERANCES UNLESS OTHERWISE SPECIFIED:		APPLICATION SPEC		RESTRICTED TO	
0 PLC ± 0.2		-		-	
1 PLC ± 0.15		WEIGHT		-	
2 PLC ± 0.15		CUSTOMER DRAWING		SCALE 5:1	
3 PLC ± 0.10		SCALE 5:1		SHEET 2 OF 2	
4 PLC ± -		SHEET 2 OF 2		REV A1	
ANGLES ± 5°		REV A1			
FINISH					