



Chipsmall Limited consists of a professional team with an average of over 10 year of expertise in the distribution of electronic components. Based in Hongkong, we have already established firm and mutual-benefit business relationships with customers from,Europe,America and south Asia,supplying obsolete and hard-to-find components to meet their specific needs.

With the principle of “Quality Parts,Customers Priority,Honest Operation,and Considerate Service”,our business mainly focus on the distribution of electronic components. Line cards we deal with include Microchip,ALPS,ROHM,Xilinx,Pulse,ON,Everlight and Freescale. Main products comprise IC,Modules,Potentiometer,IC Socket,Relay,Connector.Our parts cover such applications as commercial,industrial, and automotives areas.

We are looking forward to setting up business relationship with you and hope to provide you with the best service and solution. Let us make a better world for our industry!



## Contact us

Tel: +86-755-8981 8866 Fax: +86-755-8427 6832

Email & Skype: info@chipsmall.com Web: www.chipsmall.com

Address: A1208, Overseas Decoration Building, #122 Zhenhua RD., Futian, Shenzhen, China





4 3 2 1

THIS DRAWING IS UNPUBLISHED. RELEASED FOR PUBLICATION 20

© COPYRIGHT 20 BY - ALL RIGHTS RESERVED.

REVISIONS

P	LTR	DESCRIPTION	DATE	DWN	APVD

0.76±0.08

SIM CARD PAD LAYOUT

SW	DETECTION SWITCH
C8	RESERVED
C7	I/O
C6	VPP
C5	GND
C4	RESERVED
C3	CLK
C2	RST
C1	VCC
PIN No.	PIN NAME

SIM CARD PIN ASSIGNMENT

DETECTION SWITCH(SW)

CARD EJECT OFF

CIRCUIT DRAWING OF SWITCH

MATCH WITH PCB LAYOUT  
SCALE <5:1>

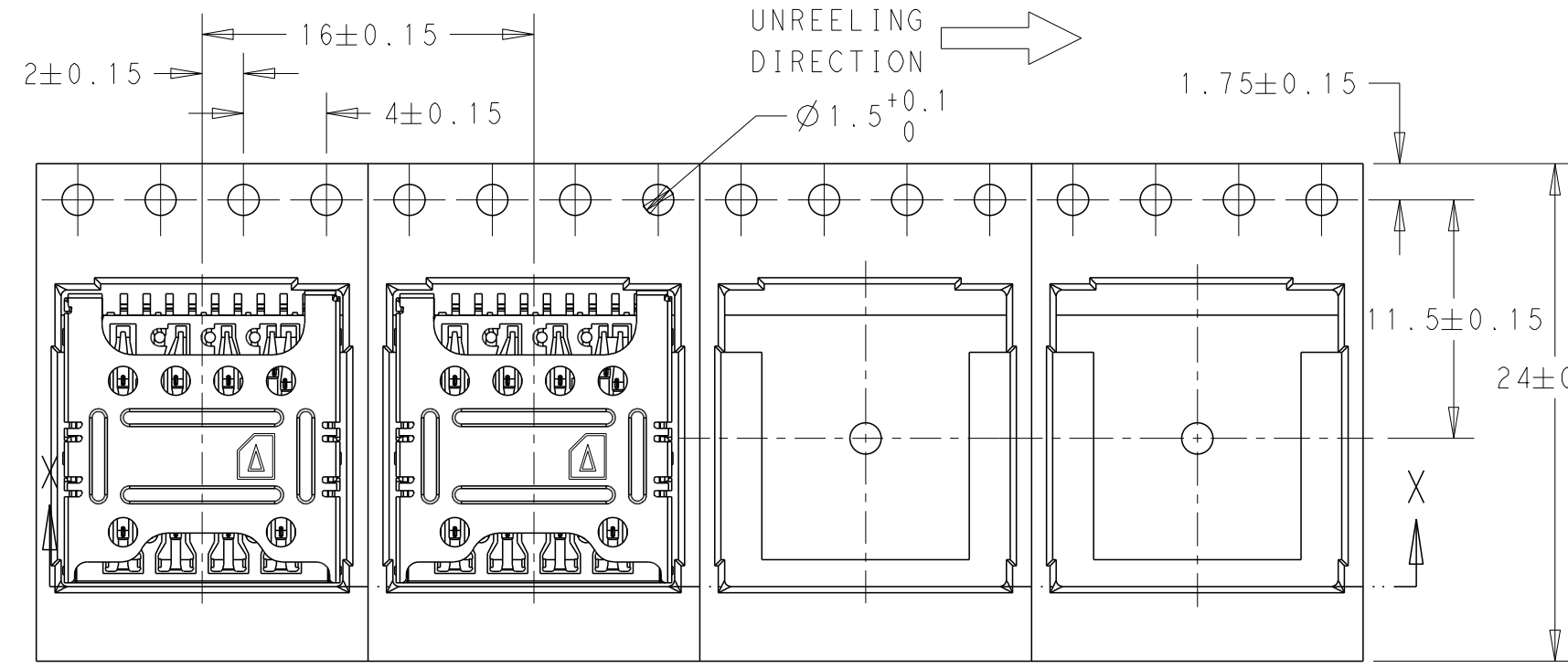
PCB LAYOUT(REFERENCE)  
(VIEW FROM CONNECTOR MOUNT SIDE)

DETAIL A  
SCALE 10:1

THIS DRAWING IS A CONTROLLED DOCUMENT.		DWN B. Wong 27-Mar-14	TE Connectivity	NAME ASSEMBLY FOR MICRO SIM H1.18 PUSH-PULL
DIMENSIONS: mm		CHK S. Li 27-Mar-14		
TOLERANCES UNLESS OTHERWISE SPECIFIED: 0 PLC ±0.2 1 PLC ±0.2 2 PLC ±0.2 3 PLC ±0.2 4 PLC ±0.2 ANGLES ±		APVD C. Wang 27-Mar-14		
MATERIAL		PRODUCT SPEC	APPLICATION SPEC	RESTRICTED TO
FINISH		WEIGHT	SIZE A3	CAGE CODE
		CUSTOMER DRAWING	DRAWING NO. C-2199337	RESTRICTED TO HUAW
			SCALE 5:1	SHEET 2 OF 4
				REV 13

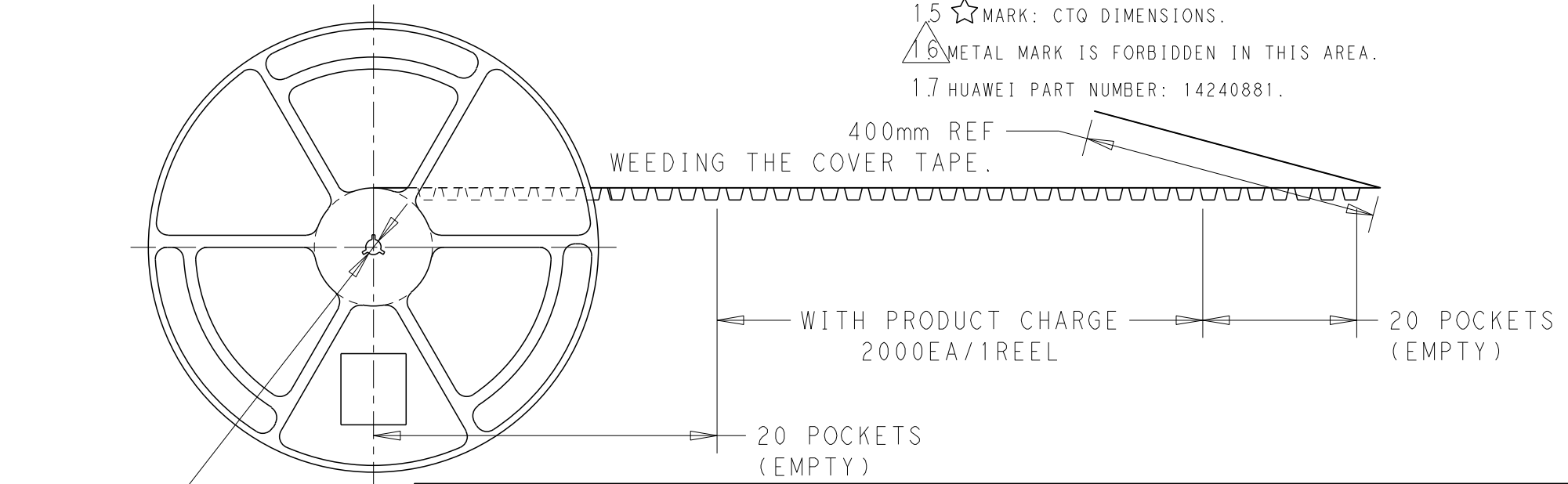
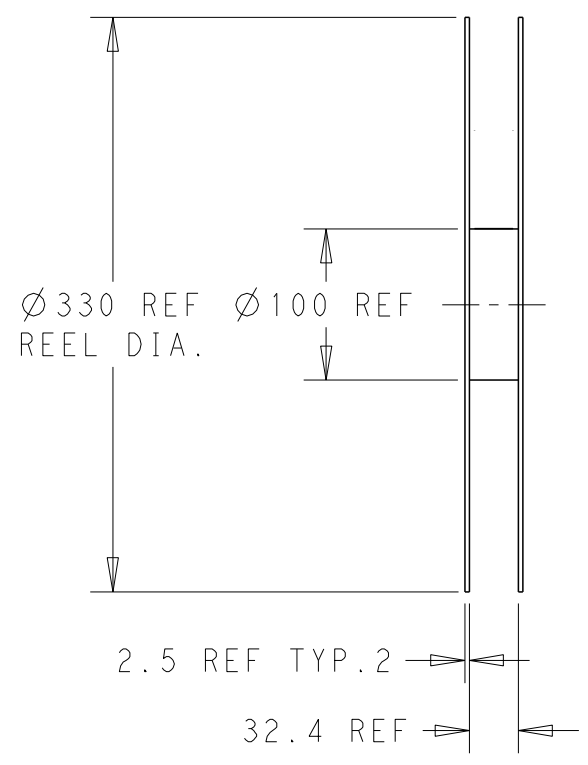
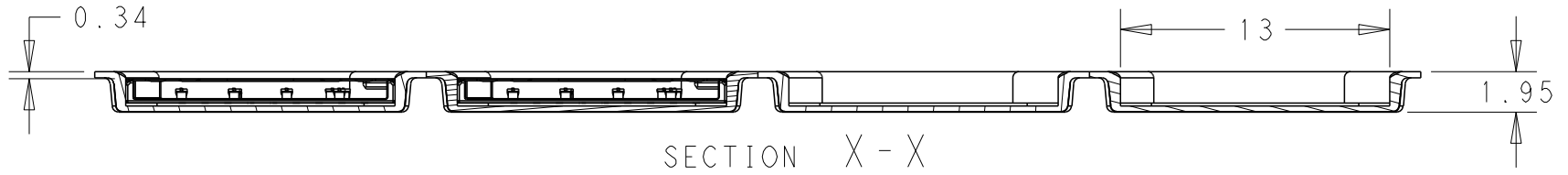
1470-19 (3/13)

REVISIONS				
P	LTR	DESCRIPTION	DATE	APVD



1. HOUSING MATERIAL : THERMO PLASTIC RESIN, LCP S475.
2. CONTACT MATERIAL : COPPER ALLOY, C7035.  
 FINISH : 1.3um MIN. NICKEL UNDERPLATING ALL OVER,  
 GOLD PLATING 0.3um MIN. ON ZONE 1,  
 GOLD PLATING 0.05um MIN. ON ZONE 2.
3. SHELL MATERIAL : STAINLESS STEEL, SUS301.  
 FINISH : 1.3um MIN. NICKEL UNDERPLATING ALL OVER,  
 TIN PLATING 1.0um MIN. ZONE 3.
4. COPLANARITY : INITIAL: 0.08MAX  
 0.10MAX AFTER REFLOW, PLEASE SEE IR PROFILE IN PAGE 4.
5. COPLANARITY MEASURED ON 9 CONTACTS AND 5 CLIP PEGS IN ONE PASS.
6. DIMENTION MEASURED FROM PLASTIC TO CENTER OF CLIP PEGS.
7. EASY BROKEN BURR IS NOT PERMITTED.
8. NO CIRCUIT AREA
9. TE LOGO, CARD INSERTION LOGO
10. DATE CODE : YWDSL (YEAR, WEEK , DAY, SHIFT, LINE)
11. DO NOT CONTAIN ANY SUBSTANCE WHICH ARE SPECIFIED IN (OQA-2049)
12. PACKING QUANTITY : 2000PCS/REEL
13. GROUND PATTERN
14. THIS PATTERN IS NOT GROUND.
15. ☆ MARK: CTQ DIMENSIONS.
16. METAL MARK IS FORBIDDEN IN THIS AREA.
17. HUAWEI PART NUMBER: 14240881.

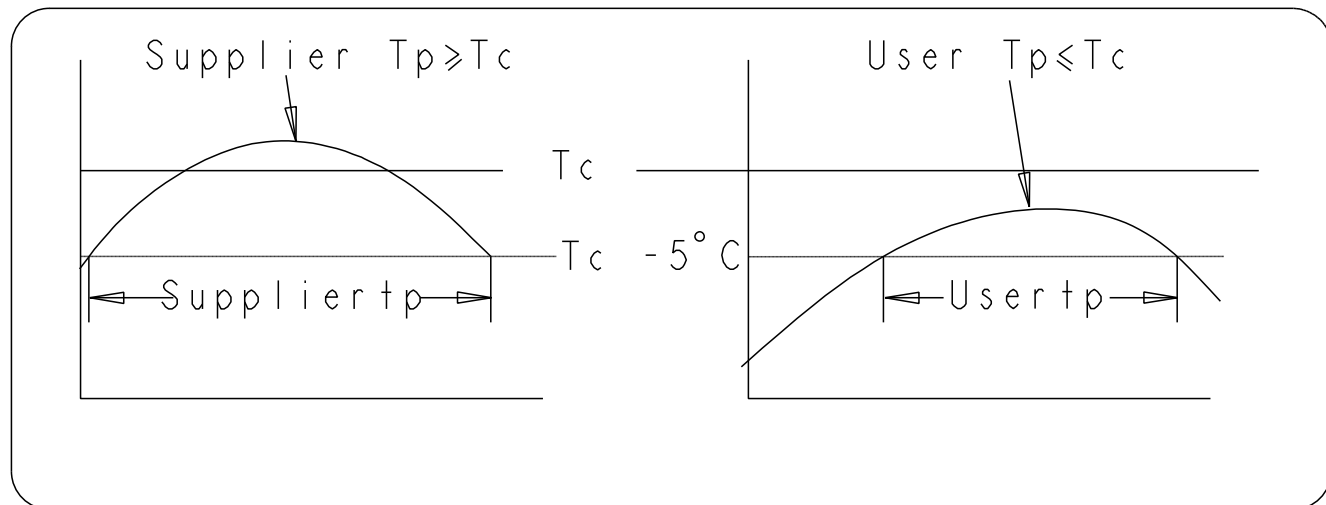
SCALE 3:1



THIS DRAWING IS A CONTROLLED DOCUMENT.		DWN B. Wong	27-Mar-14	<b>STE</b> TE Connectivity
		CHK S. Li	27-Mar-14	
		APVD C. Wang	27-Mar-14	NAME ASSEMBLY FOR MICRO SIM H1.18 PUSH-PULL
DIMENSIONS: mm		TOLERANCES UNLESS OTHERWISE SPECIFIED:		APPLICATION SPEC
		0 PLC	$\pm 0.2$	SIZE
		1 PLC	$\pm 0.2$	A3
		2 PLC	$\pm 0.2$	CAGE CODE
		3 PLC	$\pm 0.2$	-
		4 PLC	$\pm 0.2$	DRAWING NO
		ANGLES	$\pm$	C-2199337
MATERIAL		FINISH		RESTRICTED TO
-		-		HUAW
-		-		SCALE 3:1
CUSTOMER DRAWING		SHEET 3 OF 4		REV 13

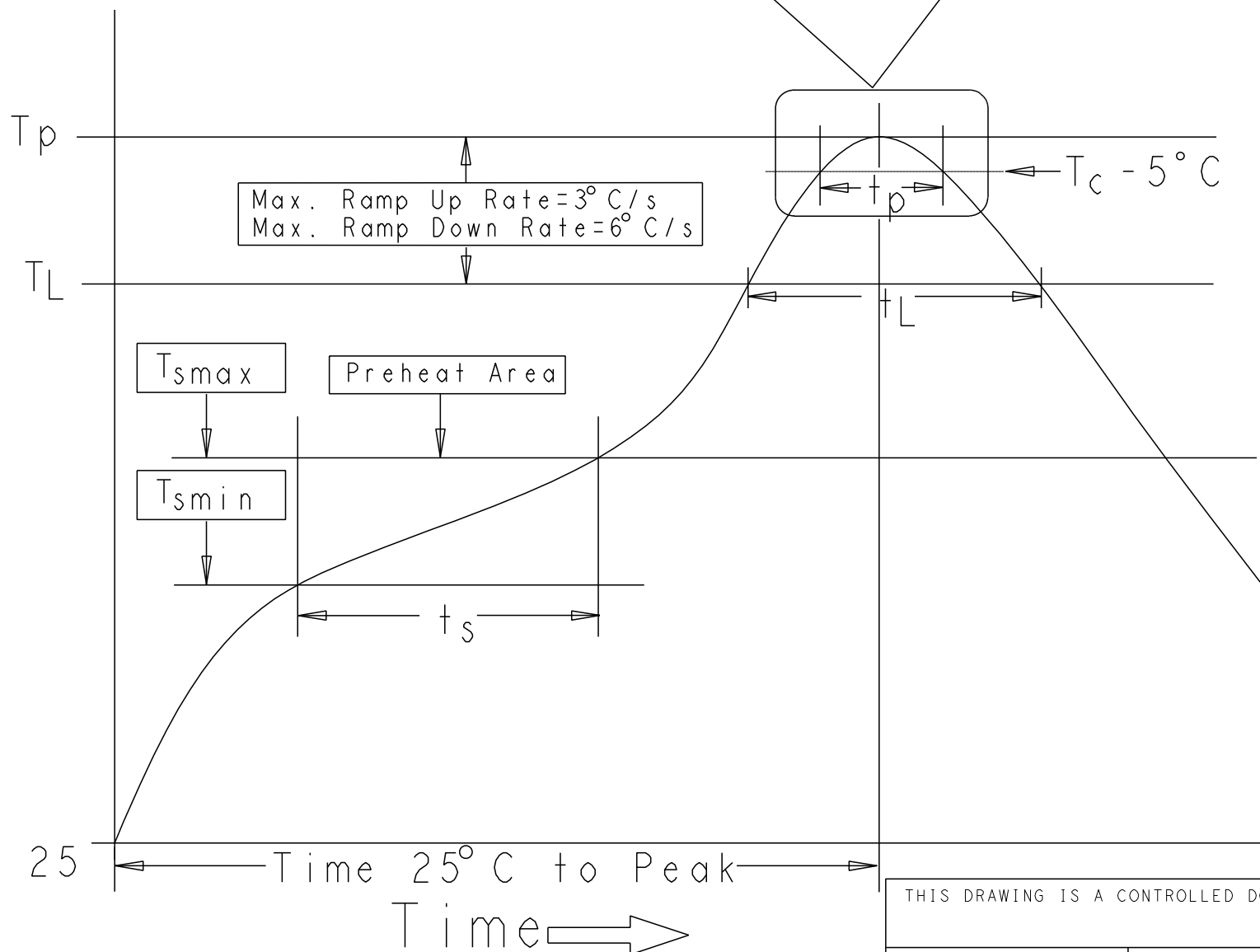
REVISIONS

P	LTR	DESCRIPTION	DATE	DWN	APVD



HUAWEI Reflow Requirement	
Parameter	Value
Preheat(150°C to 200°C)	100-120s
Max Ramp Up Rate(TL-Tp)	Max: 3°C/s
Time above 217°C	100-150s
Min peak temperature	260°C
Time above 255°C	Min: 30s
Max Ramp Down Rate(Tp-TL)	Max: -6°C/s
Time 25°C to Tp	Max: 8min

Temperature ↑



HUAWEI REFLOW PROFILE

THIS DRAWING IS A CONTROLLED DOCUMENT.

DIMENSIONS: mm	TOLERANCES UNLESS OTHERWISE SPECIFIED: 0 PLC ±0.2 1 PLC ±0.2 2 PLC ±0.2 3 PLC ±0.2 4 PLC ±0.2 ANGLES ±
MATERIAL	FINISH

DWN	B. Wong	27-Mar-14
CHK	S. Li	27-Mar-14
APVD	C. Wang	27-Mar-14
PRODUCT SPEC	-	-
APPLICATION SPEC	-	-
WEIGHT	-	-
CUSTOMER DRAWING		



NAME		ASSEMBLY FOR MICRO SIM H1.18 PUSH-PULL	
SIZE	CAGE CODE	DRAWING NO	RESTRICTED TO
A3	-	C=2199337	HUAW
SCALE		SHEET	REV
5:1		4 OF 4	13

D

C

B

A