



Chipsmall Limited consists of a professional team with an average of over 10 year of expertise in the distribution of electronic components. Based in Hongkong, we have already established firm and mutual-benefit business relationships with customers from,Europe,America and south Asia,supplying obsolete and hard-to-find components to meet their specific needs.

With the principle of “Quality Parts,Customers Priority,Honest Operation,and Considerate Service”,our business mainly focus on the distribution of electronic components. Line cards we deal with include Microchip,ALPS,ROHM,Xilinx,Pulse,ON,Everlight and Freescale. Main products comprise IC,Modules,Potentiometer,IC Socket,Relay,Connector.Our parts cover such applications as commercial,industrial, and automotives areas.

We are looking forward to setting up business relationship with you and hope to provide you with the best service and solution. Let us make a better world for our industry!



Contact us

Tel: +86-755-8981 8866 Fax: +86-755-8427 6832

Email & Skype: info@chipsmall.com Web: www.chipsmall.com

Address: A1208, Overseas Decoration Building, #122 Zhenhua RD., Futian, Shenzhen, China



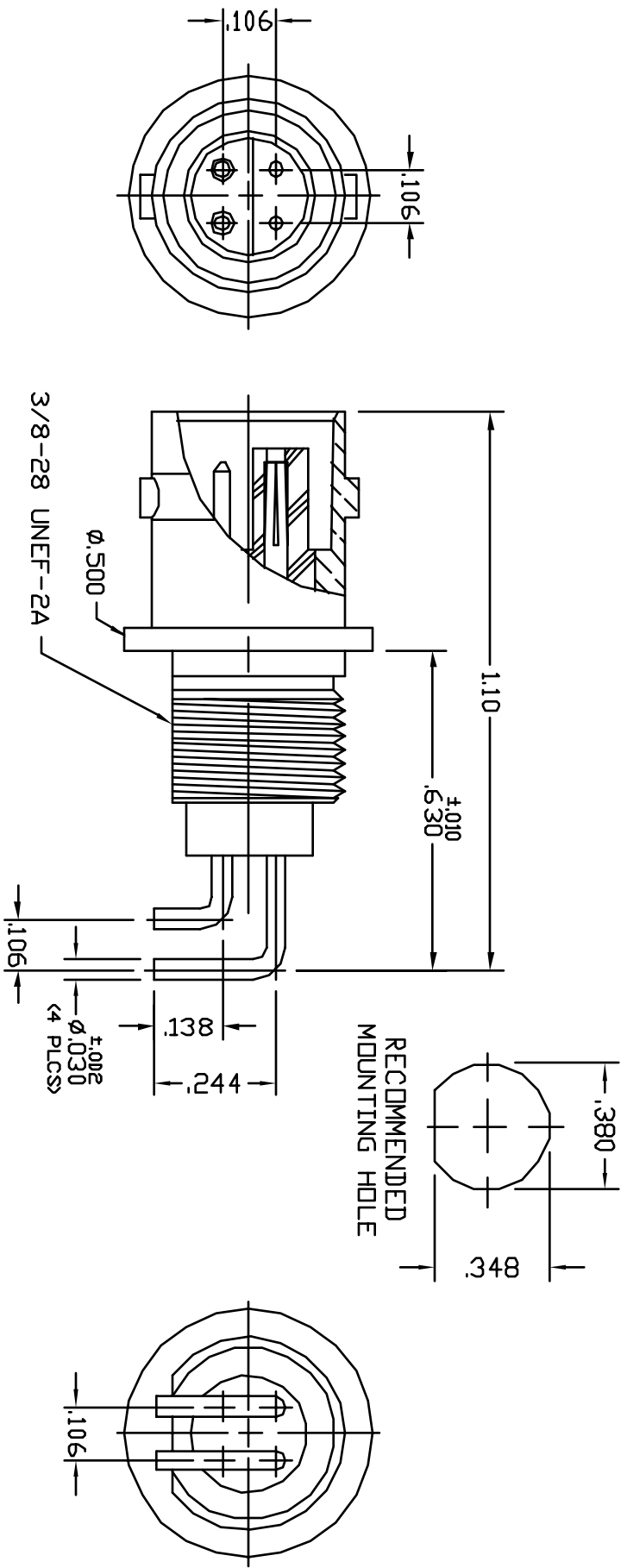
This document is the property of Berg Electronics. The design and specifications disclosed herein are proprietary and shall not be reproduced, copied or used for manufacture or sale of devices without expressed written authorization.

PART NO. 21JR123-1

MATERIAL BODY: BRASS PER ASTM B 16
 M CONTACT: BRASS PER ASTM B 16
 F CONTACT: BERYLLIUM COPPER PER ASTM B 196
 INSULATOR: PTFE FLUOROCARBON, ASTM-D1710

FINISH: BODY: PROPRIETARY BRIGHT NICKEL (IP23)
 CONTACTS: GOLD PLATE PER MIL-G-45204

IMPEDANCE: N/A
 FREQUENCY RANGE: N/A
 VOLTAGE RATING: 350 VRMS
 INSULATION RESISTANCE: 5000 MEGOHMS
 FORCE TO ENGAGE/DISENGAGE
 LONGITUDINAL: 5 LB'S MAX
 TORQUE: 3 1/2 IN-LB'S



COVER DRAWING

APPROVED				TITLE	
D GOULD	11-3-95	A		BNC QUADRAX	
D GOULD	11-29-95	A1		JACK	
REMOVE MTG HARDWARE				RECEPTACLE	
UPDATE DIMS				PART NO. 21JR123-1	
TOLERANCES (EXCEPT AS NOTED)		DRAWN BY: B THOMMEN		DATE: 11-3-95	
DIM: .XXX ±.020		SCALE: 1:3		CAD FILE: 7559	
.XXX ±.005					
ANGLES ±1'					
COND. .005 TR					
SURF. 64 ✓					
FSCM NO. 24931					
				SHEET 1 OF 1	