



Chipsmall Limited consists of a professional team with an average of over 10 year of expertise in the distribution of electronic components. Based in Hongkong, we have already established firm and mutual-benefit business relationships with customers from,Europe,America and south Asia,supplying obsolete and hard-to-find components to meet their specific needs.

With the principle of “Quality Parts,Customers Priority,Honest Operation,and Considerate Service”,our business mainly focus on the distribution of electronic components. Line cards we deal with include Microchip,ALPS,ROHM,Xilinx,Pulse,ON,Everlight and Freescale. Main products comprise IC,Modules,Potentiometer,IC Socket,Relay,Connector.Our parts cover such applications as commercial,industrial, and automotives areas.

We are looking forward to setting up business relationship with you and hope to provide you with the best service and solution. Let us make a better world for our industry!



Contact us

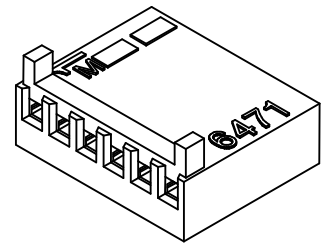
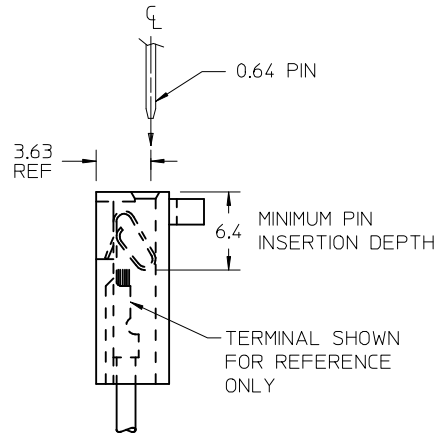
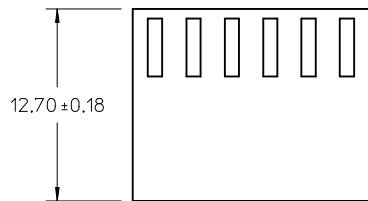
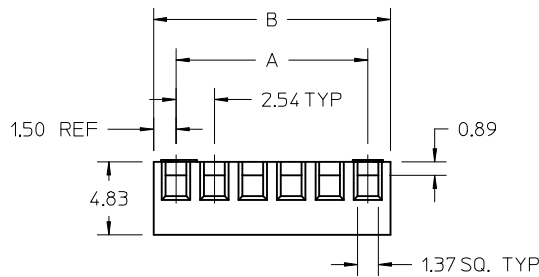
Tel: +86-755-8981 8866 Fax: +86-755-8427 6832

Email & Skype: info@chipsmall.com Web: www.chipsmall.com

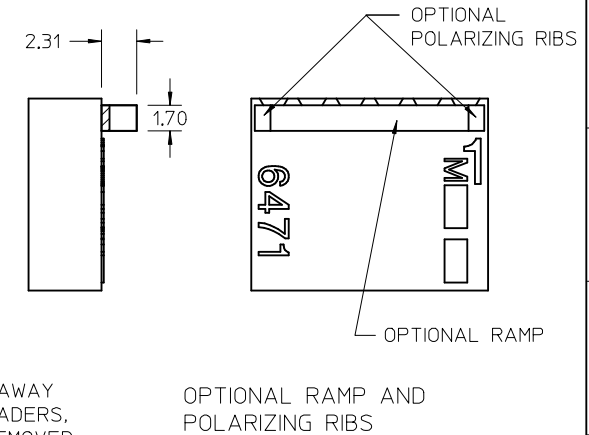
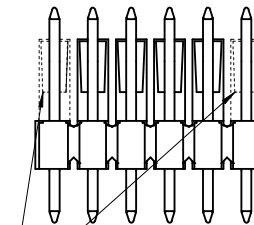
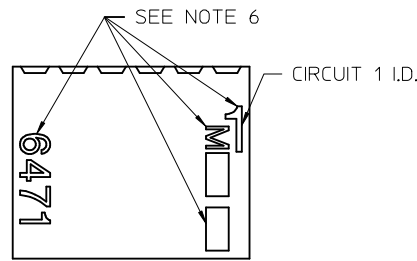
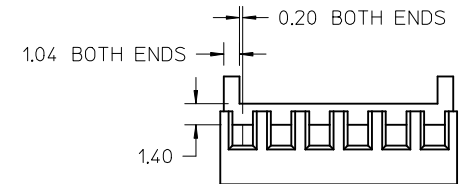
Address: A1208, Overseas Decoration Building, #122 Zhenhua RD., Futian, Shenzhen, China



13		12	11	10	9	8	7	6	5	4	3	2	1
22	53.34±0.35	56.34±0.35											
21	50.80±0.35	53.80±0.35											
20	48.26±0.35	51.26±0.35											
19	45.72±0.35	48.72±0.35											
18	43.18±0.35	46.18±0.35											
17	40.64±0.35	43.64±0.35											
16	38.10±0.35	41.10±0.35											
15	35.56±0.35	38.56±0.35											
14	33.02±0.35	36.02±0.35											
13	30.48±0.35	33.48±0.35											
12	27.94±0.35	30.94±0.35											
11	25.40±0.35	28.40±0.35											
10	22.86±0.35	25.86±0.35											
9	20.32±0.35	23.32±0.35											
8	17.78±0.35	20.78±0.35											
7	15.24±0.35	18.24±0.35											
6	12.70±0.15	15.70±0.15											
5	10.16±0.15	13.16±0.15											
4	7.62±0.15	10.62±0.15											
3	5.08±0.15	8.08±0.15											
2	2.54±0.15	5.54±0.15											
No. OF CCTS	DIM A	DIM B											



SHOWN WITH OPTIONAL RAMP AND POLARIZATION RIBS



LEGEND

E-6471-*N*

MATERIAL
BLANK= NATURAL

OF CIRCUITS

OPTION CODE
BLANK=NO RAMP OR POLARIZATION RIB
I= RAMP AND POLARIZATION RIB

NOTES:

- MATERIAL:
BLANK: POLYAMIDE (PA66/6), UL94V-0, COLOR: NATURAL (WHITE)
- FINISH: N/A
- PRODUCT SPECIFICATION: PS-99020-0088
- PACKAGING: BULK
- FOR USE WITH TERMINAL SERIES 2759, 41572, 4809, 6459, AND 8088.
- TEXT MAY BE PRESENT ON EITHER SIDE OF PART.
- THIS PART CONFORMS TO CLASS B REQUIREMENTS OF COSMETIC SPECIFICATION PS-45499-002.

ADD HEADER VIEW EC NO: UCP2014-1471 DRW:WKP/PPR 2013/10/02 CHK:D/BANDERSON 2013/10/02 APPR:FSMITH 2013/10/09	QUALITY SYMBOLS ▽=0 ▽=0 ▽=0	GENERAL TOLERANCES (UNLESS SPECIFIED)	DIMENSION STYLE MM ONLY	SCALE 4:1	DESIGN UNITS METRIC	THIRD ANGLE PROJECTION
		4 PLACES ± --- ± --- 3 PLACES ± --- ± --- 2 PLACES ± 0.15 ± --- 1 PLACE ± 0.25 ± --- 0 PLACE ± ±	DRAWN BY SF DATE 2000/07/14	TITLE KK 2.54MM CRIMP TERMINAL HOUSING		
REV: G2	DESCRIPTION	ANGULAR ± --- °	MATERIAL NO. SEE CHART	DOCUMENT NO. SD-6471-N*-**	SHEET NO. 1 OF 2	
DRAFT WHERE APPLICABLE MUST REMAIN WITHIN DIMENSIONS						
THIS DRAWING CONTAINS INFORMATION THAT IS PROPRIETARY TO MOLEX. INCORPORATED AND SHOULD NOT BE USED WITHOUT WRITTEN PERMISSION						

E-6471-N		
PART No.	ENG No.	No. OF CIRCUITS
22-01-2026	E-6471-2	2
↑ -2036	↑ -3	3
-2046	-4	4
-2056	-5	5
-2066	-6	6
-2076	-7	7
-2086	-8	8
-2096	-9	9
-2106	-10	10
-2116	-11	11
-2126	-12	12
-2136	-13	13
-2146	-14	14
-2156	-15	15
-2166	-16	16
-2176	-17	17
-2186	-18	18
-2196	-19	19
-2206	-20	20
↓ -2216	↓ -21	21
22-01-2226	E-6471-22	22

E-6471-NI		
PART No.	ENG No.	No. OF CIRCUITS
22-01-2025	E-6471-02I	2
↑ -2035	↑ -03I	3
-2045	-04I	4
-2055	-05I	5
-2065	-06I	6
-2075	-07I	7
-2085	-08I	8
-2095	-09I	9
-2105	-10I	10
-2115	-11I	11
-2125	-12I	12
-2135	-13I	13
-2145	-14I	14
-2155	-15I	15
-2165	-16I	16
-2175	-17I	17
-2185	-18I	18
-2195	-19I	19
-2205	-20I	20
↓ -2215	↓ -21I	21
22-01-2225	E-6471-22I	22

SEE SHEET 1 EC NO: UCP2014-1471 DRWN:KIPPER 2013/10/02 CHKD:ANDERSON 2013/10/02 APPR:FSMITH 2013/10/09	QUALITY SYMBOLS 	GENERAL TOLERANCES (UNLESS SPECIFIED)		DIMENSION STYLE MM ONLY	SCALE 1:1	DESIGN UNITS METRIC	THIRD ANGLE PROJECTION
		4 PLACES ± --- ± ---	DRAWN BY SF	DATE 2000/07/14	TITLE KK 2.54MM CRIMP TERMINAL HOUSING		
		3 PLACES ± --- ± ---	CHECKED BY DWASZKIEWICZ	DATE 2006/02/27			
		2 PLACES ± 0.15 ± ---	APPROVED BY FSMITH	DATE 2011/10/11			
1 PLACE ± 0.25 ± ---	MATERIAL NO.						
0 PLACE ± ±	ANGULAR ± --- °		DOCUMENT NO. SD-6471-N*-**	SHEET NO. 2 OF 2			
DRAFT WHERE APPLICABLE MUST REMAIN WITHIN DIMENSIONS	SIZE C	THIS DRAWING CONTAINS INFORMATION THAT IS PROPRIETARY TO MOLEX INCORPORATED AND SHOULD NOT BE USED WITHOUT WRITTEN PERMISSION					