



Chipsmall Limited consists of a professional team with an average of over 10 year of expertise in the distribution of electronic components. Based in Hongkong, we have already established firm and mutual-benefit business relationships with customers from,Europe,America and south Asia,supplying obsolete and hard-to-find components to meet their specific needs.

With the principle of “Quality Parts,Customers Priority,Honest Operation,and Considerate Service”,our business mainly focus on the distribution of electronic components. Line cards we deal with include Microchip,ALPS,ROHM,Xilinx,Pulse,ON,Everlight and Freescale. Main products comprise IC,Modules,Potentiometer,IC Socket,Relay,Connector.Our parts cover such applications as commercial,industrial, and automotives areas.

We are looking forward to setting up business relationship with you and hope to provide you with the best service and solution. Let us make a better world for our industry!



Contact us

Tel: +86-755-8981 8866 Fax: +86-755-8427 6832

Email & Skype: info@chipsmall.com Web: www.chipsmall.com

Address: A1208, Overseas Decoration Building, #122 Zhenhua RD., Futian, Shenzhen, China



ENG. NO. SD-5268-NA

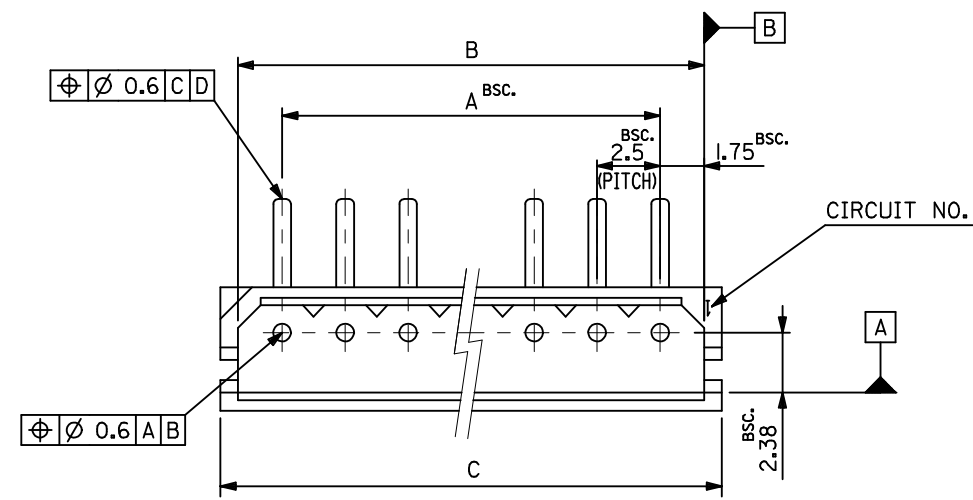
EDP. NO. 22-05-7**5

D

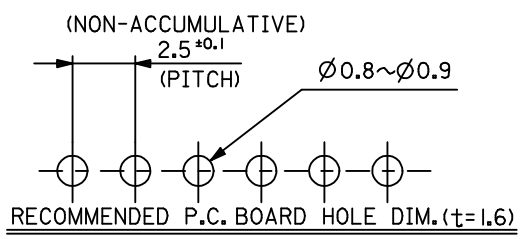
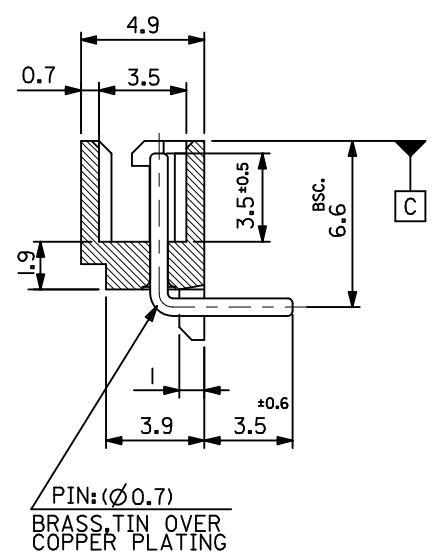
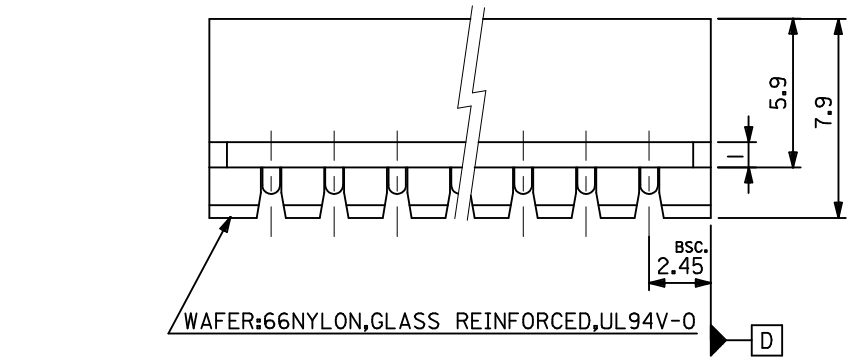
C

B

A

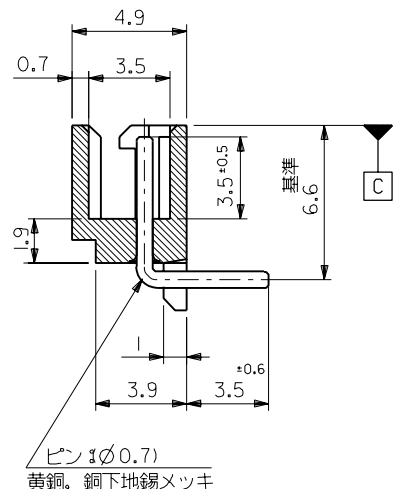
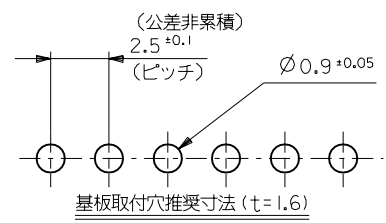
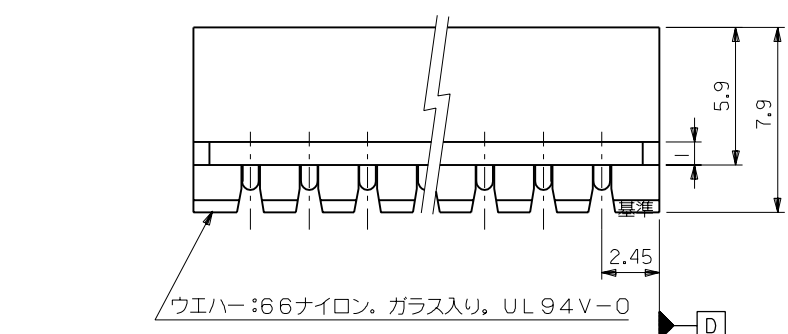
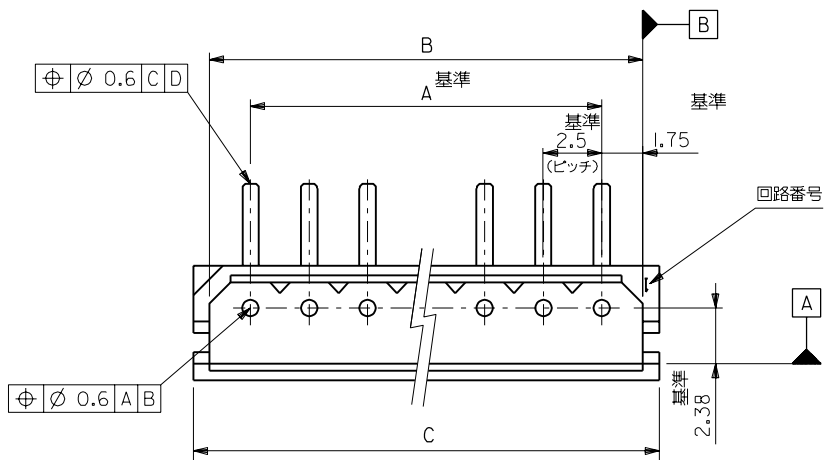


NOTE:
MATES WITH : 5264 SERIES.



49.9	48.5	45	22-05-7195	5268-19A	19
47.4	46	42.5	-7185	-18A	18
44.9	43.5	40	-7175	-17A	17
42.4	41	37.5	-7165	-16A	16
39.9	38.5	35	-7155	-15A	15
37.4	36	32.5	-7145	-14A	14
34.9	33.5	30	-7135	-13A	13
32.4	31	27.5	-7125	-12A	12
29.9	28.5	25	-7115	-11A	11
27.4	26	22.5	-7105	-10A	10
24.9	23.5	20	-7095	-09A	9
22.4	21	17.5	-7085	-08A	8
19.9	18.5	15	-7075	-07A	7
17.4	16	12.5	-7065	-06A	6
14.9	13.5	10	-7055	-05A	5
12.4	11	7.5	-7045	-04A	4
9.9	8.5	5	-7035	-03A	3
7.4	6	2.5	22-05-7025	5268-02A	2
C	B	A	EDP NO.	ENG. NO.	CKT.

REVISED EC NO: J2017-0224 DRWN: MISHIKAWA 2016/10/12 CHKD: TAKAHASHI APPR: MSASAO 2016/10/14	GENERAL TOLERANCES (UNLESS SPECIFIED)		DIMENSION STYLE MM ONLY		SCALE 5:1	DESIGN UNITS METRIC	THIRD ANGLE PROJECTION	
	0.25 UNDER	±	DRAWN BY K. TOJO	DATE 1991/11/05	TITLE 2.5 LOW PROFILE WAFER ASSY 90° BEND molex DOCUMENT NO. SD-5268-NA SHEET NO. 1 OF 1			
	0.25 OVER	0.5 UNDER	CHECKED BY	DATE				
	0.5 OVER	1.0 UNDER	H. HIRAMOTO	1992/08/31				
10 OVER	30 UNDER	M. ENAMOTO	1992/08/31					
30 OVER	±0.25	APPROVED BY	DATE	SEE CHART				
ANGULAR	±3 °	MATERIAL NO.						
DRAFT WHERE APPLICABLE MUST REMAIN WITHIN DIMENSIONS				SIZE A3	THIS DRAWING CONTAINS INFORMATION THAT IS PROPRIETARY TO MOLEX ELECTRONIC TECHNOLOGIES, LLC AND SHOULD NOT BE USED WITHOUT WRITTEN PERMISSION			



NOTE:
 1. 嵌合相手: 5264 シリーズ

39.9	38.5	35	22-05-7155	5268-15A	15
37.4	36	32.5	-7145	-14A	14
34.9	33.5	30	-7135	-13A	13
32.4	31	27.5	-7125	-12A	12
29.9	28.5	25	-7115	-11A	11
27.4	26	22.5	-7105	-10A	10
24.9	23.5	20	-7095	-09A	9
22.4	21	17.5	-7085	-08A	8
19.9	18.5	15	-7075	-07A	7
17.4	16	12.5	-7065	-06A	6
14.9	13.5	10	-7055	-05A	5
12.4	11	7.5	-7045	-04A	4
9.9	8.5	5	-7035	-03A	3
7.4	6	2.5	22-05-7025	5268-02A	2
C	B	A	EDP NO.	ENG. NO.	種数

角度 ANGLE	±3°				
30以上 OVER	+0.3				
10以上 30未滿 UNDER	+0.25	C	再作図及び変更 (J10590)	K.H.	9/17/26
10未滿 UNDER	+0.2	記号 LTR	変更内容 REVISION RECORD	DR. CHK.	日付 DATE
一般公差 GENERAL TOLERANCES		REVISE ONLY ON CAD SYSTEM			

材料 MATERIAL	— / —
仕上げ FINISH	— / —
適用電線範囲 WIRE RANGE	— / —
被覆外径 INS. RANGE	— / —
DRAWN BY K.TOJO '91/7/26	CHK'D BY '92/08/31
APP'D BY M.ENOMOTO	尺度 SCALE 5-1

MOLEX-JAPAN CO.,LTD. 日本モレックス株式会社	
EDP. NO. 22-05-7**5	
ENG. NO. SD-5268-NA	REV C
TITLE 名称 2.5 LOW PROFILE WAFER ASS'Y 90° BEND	