



Chipsmall Limited consists of a professional team with an average of over 10 year of expertise in the distribution of electronic components. Based in Hongkong, we have already established firm and mutual-benefit business relationships with customers from,Europe,America and south Asia,supplying obsolete and hard-to-find components to meet their specific needs.

With the principle of “Quality Parts,Customers Priority,Honest Operation,and Considerate Service”,our business mainly focus on the distribution of electronic components. Line cards we deal with include Microchip,ALPS,ROHM,Xilinx,Pulse,ON,Everlight and Freescale. Main products comprise IC,Modules,Potentiometer,IC Socket,Relay,Connector.Our parts cover such applications as commercial,industrial, and automotives areas.

We are looking forward to setting up business relationship with you and hope to provide you with the best service and solution. Let us make a better world for our industry!



Contact us

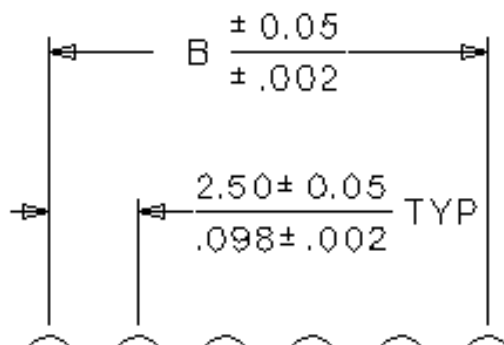
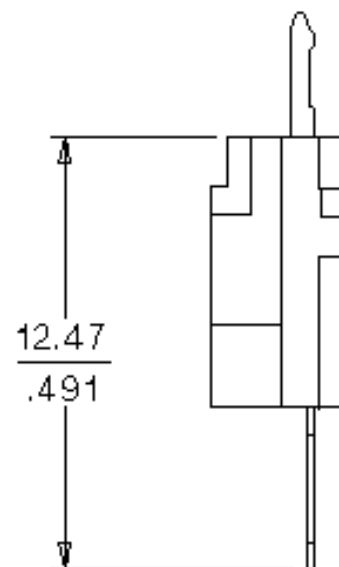
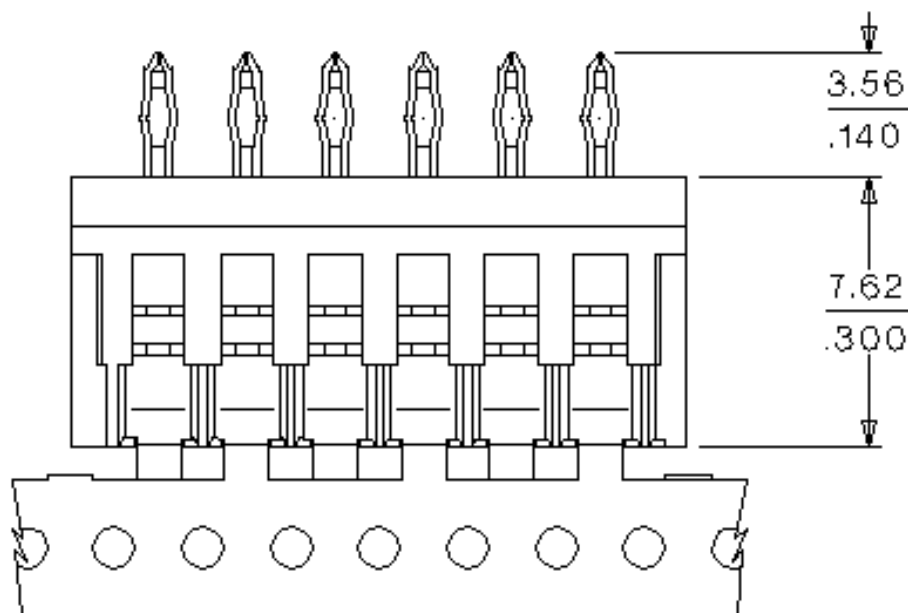
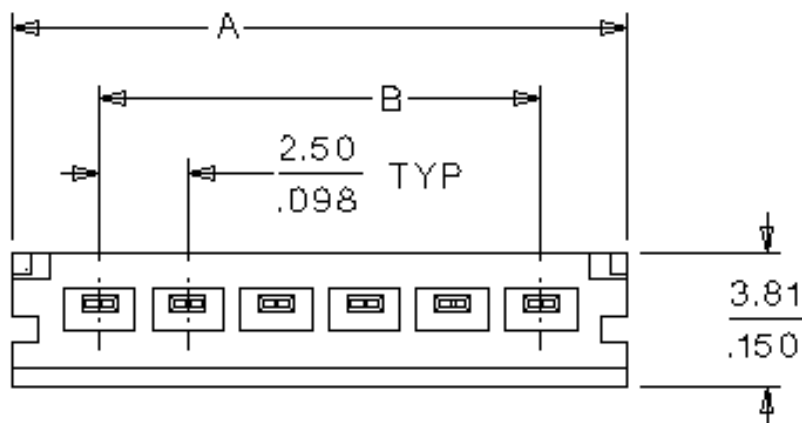
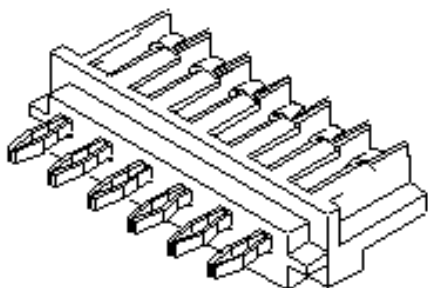
Tel: +86-755-8981 8866 Fax: +86-755-8427 6832

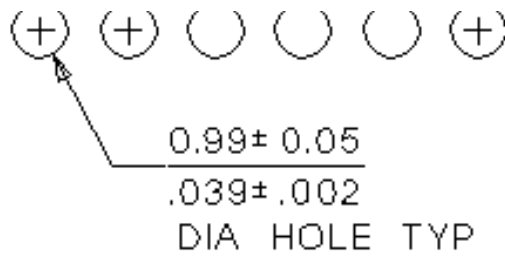
Email & Skype: info@chipsmall.com Web: www.chipsmall.com

Address: A1208, Overseas Decoration Building, #122 Zhenhua RD., Futian, Shenzhen, China



Wire-to-Board 2.50mm (.098") Pitch SPOX® Connector IDT Board-In 42254





PCB LAYOUT: COMPONENT SIDE
 RECOMMENDED PCB THICKNESS

1.57 ± 0.18
 .062 ± .007

Above Drawing For Reference Only

Ordering Information [Top ↑](#)

Circuits	Order No.	Dimension mm (inches)	
		A	B
2	22-43-2020	7.40 (.291)	2.50 (.098)
3	22-43-2030	9.90 (.390)	5.00 (.197)
4	22-43-2040	12.40 (.488)	7.50 (.295)
5	22-43-2050	14.90 (.587)	10.00 (.394)
6	22-43-2060	17.40 (.685)	12.50 (.492)
7	22-43-2070	19.90 (.783)	15.00 (.591)
8	22-43-2080	22.40 (.882)	17.50 (.689)
9	22-43-2090	24.90 (.980)	20.00 (.787)
10	22-43-2100	27.40 (1.079)	22.50 (.886)
11	22-43-2110	29.90 (1.117)	25.00 (.984)
12	22-43-2120	32.40 (1.276)	27.50 (1.082)
13	22-43-2130	34.90 (1.374)	30.00 (1.181)
14	22-43-2140	37.40 (1.472)	32.50 (1.279)
15	22-43-2150	39.90 (1.571)	35.00 (1.378)

* US Standard Product available through Molex franchised distributors.