



Chipsmall Limited consists of a professional team with an average of over 10 year of expertise in the distribution of electronic components. Based in Hongkong, we have already established firm and mutual-benefit business relationships with customers from,Europe,America and south Asia,supplying obsolete and hard-to-find components to meet their specific needs.

With the principle of “Quality Parts,Customers Priority,Honest Operation,and Considerate Service”,our business mainly focus on the distribution of electronic components. Line cards we deal with include Microchip,ALPS,ROHM,Xilinx,Pulse,ON,Everlight and Freescale. Main products comprise IC,Modules,Potentiometer,IC Socket,Relay,Connector.Our parts cover such applications as commercial,industrial, and automotives areas.

We are looking forward to setting up business relationship with you and hope to provide you with the best service and solution. Let us make a better world for our industry!



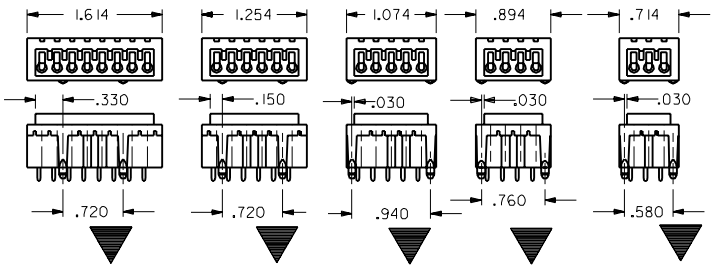
## Contact us

Tel: +86-755-8981 8866 Fax: +86-755-8427 6832

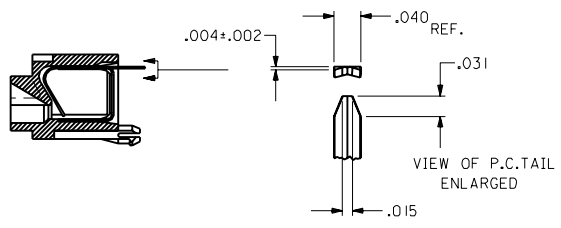
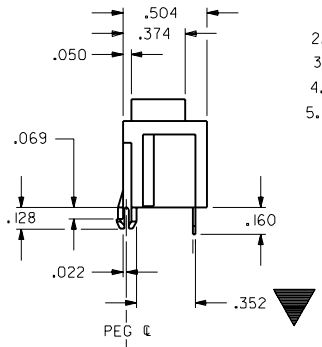
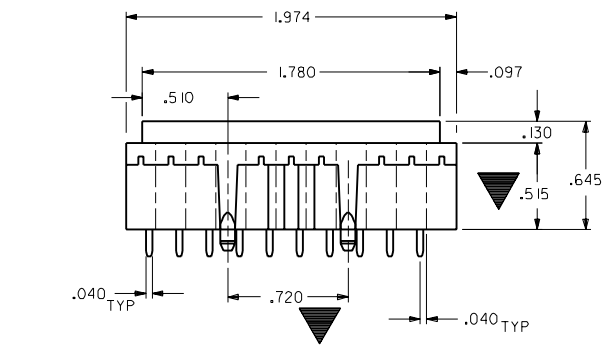
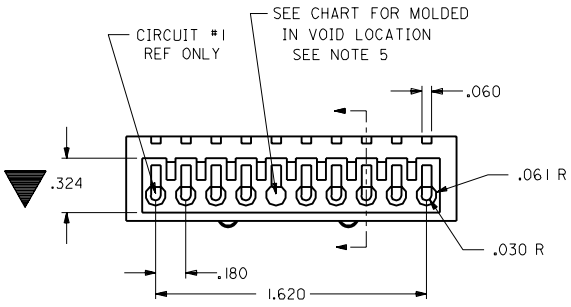
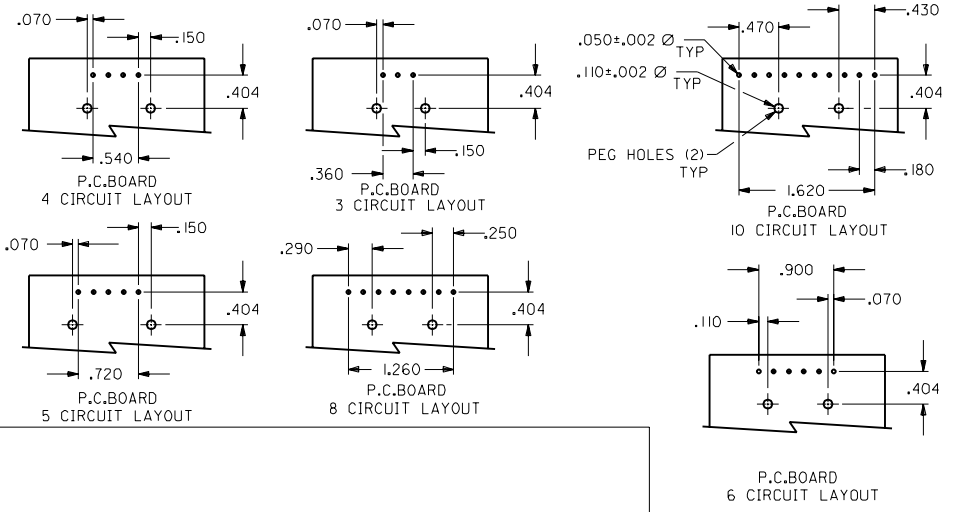
Email & Skype: info@chipsmall.com Web: www.chipsmall.com

Address: A1208, Overseas Decoration Building, #122 Zhenhua RD., Futian, Shenzhen, China





HOUSING TO BE MOLDED IN 3,4,5,6,8&10 CIRCUITS AS SHOWN  
NOTE P.C.BOARD LOCKING PEG LOCATIONS



- NOTES:
1. FOR USE WITH 16AWG SOLID & 18AWG SOLID OR STRANDED WIRE WITH TIN TOP COAT OR 20AWG STRANDED WIRE WITH TIN TOP COAT. INSULATION O.D..079/.118.
  2. SUGGESTED STRIP LENGTH OF MATED WIRE TO BE WITHIN .320-.380 LONG.
  3. MONITORED OR CHARTED DIMENSIONS.
  4. FOR PRODUCT SPECIFICATIONS SEE PS-42732.
  5. TUBE PACK PER: PK-44743-003

MATERIAL:  
HOUSING- POLYESTER (7½% GLASS FILLED); COLOR- WHITE  
TERMINAL- .013 THICK PHOS. BRONZE PRE-TIN PLATE

UNLESS OTHERWISE SPECIFIED TOLERANCES: ANGULAR ± 1°		DIMENSIONS SHOWN METRIC (INCH)		▽ = 0 ▼ = 9 REVISE ONLY ON CAD SYSTEM	
INCH		METRIC		TITLE	
3 PLACE ± .006	---	3 PLACE ± .006	---	WIRE TRAP ASSEMBLY	
2 PLACE ± .001	± .023	2 PLACE ± .001	± .023	PART NO. SEE CHART	
1 PLACE ---	± .085	1 PLACE ---	± .085	MFG. SHL. REV.	
DRAFT WHERE APPLICABLE MUST REMAIN WITHIN DIMENSIONS		DRAWN BY: EDGLEY LENZ		SHEET NO. 2 OF 2 DATE 10/26/90	
APP'D BY: LENZ		SCALE: 2:1		MOLEX INCORPORATED LISLE, ILL. 60532 U.S.A.	
LTR. REVISIONS		LTR. REVISIONS		DIV. SDA-42732-*	
				FILE NAME: S42732X1 THIS DRAWING CONTAINS INFORMATION THAT IS PROPRIETARY TO MOLEX INC. AND SHOULD NOT BE USED WITHOUT WRITTEN PERMISSION.	

42732

R4  
S

10/26/90

SDA-42732-\*

