



Chipsmall Limited consists of a professional team with an average of over 10 year of expertise in the distribution of electronic components. Based in Hongkong, we have already established firm and mutual-benefit business relationships with customers from,Europe,America and south Asia,supplying obsolete and hard-to-find components to meet their specific needs.

With the principle of "Quality Parts,Customers Priority,Honest Operation,and Considerate Service",our business mainly focus on the distribution of electronic components. Line cards we deal with include Microchip,ALPS,ROHM,Xilinx,Pulse,ON,Everlight and Freescale. Main products comprise IC,Modules,Potentiometer,IC Socket,Relay,Connector.Our parts cover such applications as commercial,industrial, and automotives areas.

We are looking forward to setting up business relationship with you and hope to provide you with the best service and solution. Let us make a better world for our industry!



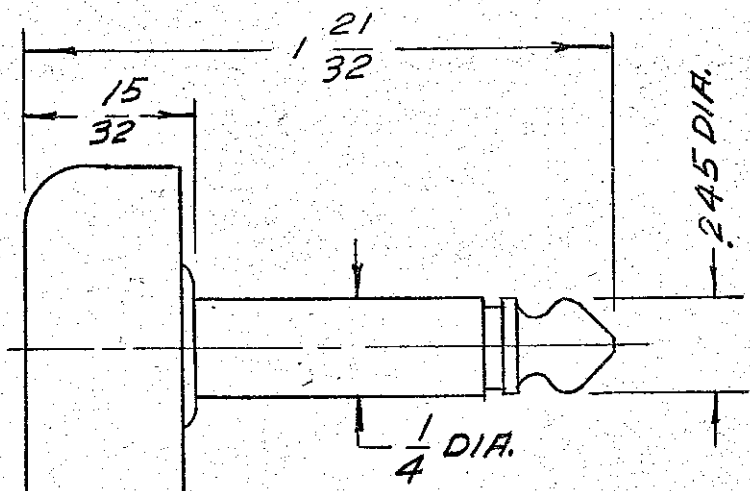
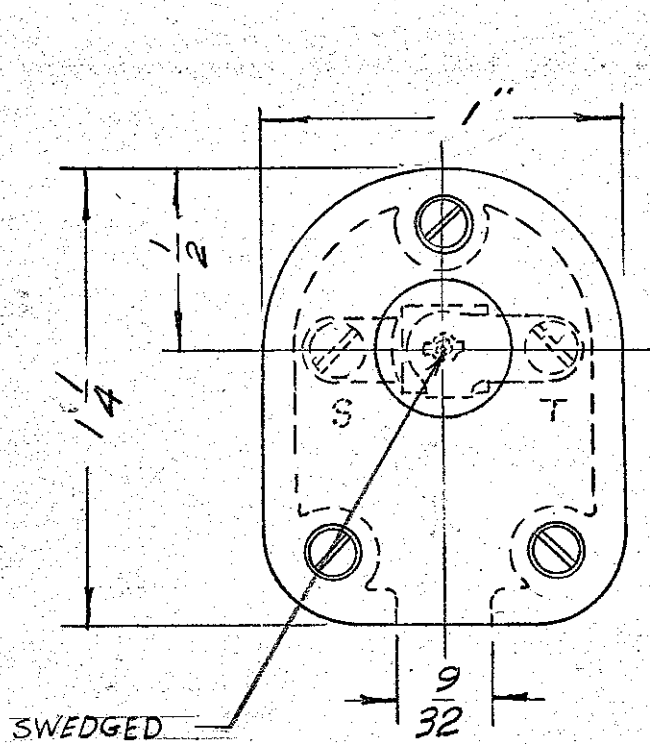
## Contact us

Tel: +86-755-8981 8866 Fax: +86-755-8427 6832

Email & Skype: info@chipsmall.com Web: www.chipsmall.com

Address: A1208, Overseas Decoration Building, #122 Zhenhua RD., Futian, Shenzhen, China





**SPECIFICATIONS:**

1. PLATE - STEEL - NICKEL PLATE.
2. TIE SLEEVE - BRASS-NI.PI.
3. INSULATOR - PHENOLIC, POLYESTER  $\text{\textcircled{D}}$
4. HANDLE - BLACK
5. TERMINALS - TIN PL.
6. TIP ROD TORQUE: .75 IN.-LBS. AT SWEDGED AREA.

CUSTOMER DRAWING  $\text{\textcircled{D}}$

ISS. SYN.	REVISION	BY	DATE
1	REDRAWN	RT	6-2-64
2	ADDED ITEM 6 TO SPEC. ECO # 14982	RT	7-10-64
A	ECO 14982	VL	6-22-64
B	ECO 14853	VL	8-1-64
C	ECO 15683	VL	11-1-64
D	ECO # 18370	VL	10-3-64
E	ECO # 19660.	TA	3-1-65
F	ECO # 20559	TA	3-1-65
G	ECO # 20627	TA	2-2-66

THIS DRAWING DESCRIBES A DESIGN CONSIDERED PROPRIETARY IN NATURE, DEVELOPED AND MANUFACTURED BY SWITCHCRAFT, INC., AND IS RELEASED ON A CONFIDENTIAL BASIS FOR IDENTIFICATION PURPOSE ONLY.

UNLESS OTHERWISE SPECIFIED:

1 - DECIMAL DIMENSIONS $\pm .005$	DRAWN BY <i>J.L.T.</i>	DATE 6-2-64	FINISH
2 - FRACTIONAL DIMENSIONS $\pm 1/64$	CHECKED BY <i>RB</i>	DATE 7-10-64	PER FINISH SPEC. NO.
3 - ANGLES $\pm 1/2^\circ$	APPROVED BY <i>L6</i>	DATE 7-18-64	MATERIAL
4 - ALL DIA'S CONCENTRIC WITHIN .005 T.I.R.	SCALE 2:1	FIRST USED ON	PER MAT. SPEC. NO.
5 - ALL DIMENSIONS IN INCHES	NAME FLAT PLUG	PART NO. 220	ISSUE G
6 - FOR THREADS USE UNIFIED PLUG AND RING GAGES ONLY.	2 COND. SCREW TERM.	SHEET 1 OF 1	
7 - REMOVE ALL BURRS.			
8 - PART TO BE FABRICATED AS SPECIFIED. MAKE NO DIMENSIONAL ALLOWANCES FOR APPLIED FINISHES, I.E., PLATING, PAINTING, ETC.			
9 - HOLES ON SAME CENTERLINE MUST BE ALIGNED WITHIN $\pm .002$			

DO NOT SCALE DRAWING