



Chipsmall Limited consists of a professional team with an average of over 10 year of expertise in the distribution of electronic components. Based in Hongkong, we have already established firm and mutual-benefit business relationships with customers from,Europe,America and south Asia,supplying obsolete and hard-to-find components to meet their specific needs.

With the principle of “Quality Parts,Customers Priority,Honest Operation,and Considerate Service”,our business mainly focus on the distribution of electronic components. Line cards we deal with include Microchip,ALPS,ROHM,Xilinx,Pulse,ON,Everlight and Freescale. Main products comprise IC,Modules,Potentiometer,IC Socket,Relay,Connector.Our parts cover such applications as commercial,industrial, and automotives areas.

We are looking forward to setting up business relationship with you and hope to provide you with the best service and solution. Let us make a better world for our industry!



Contact us

Tel: +86-755-8981 8866 Fax: +86-755-8427 6832

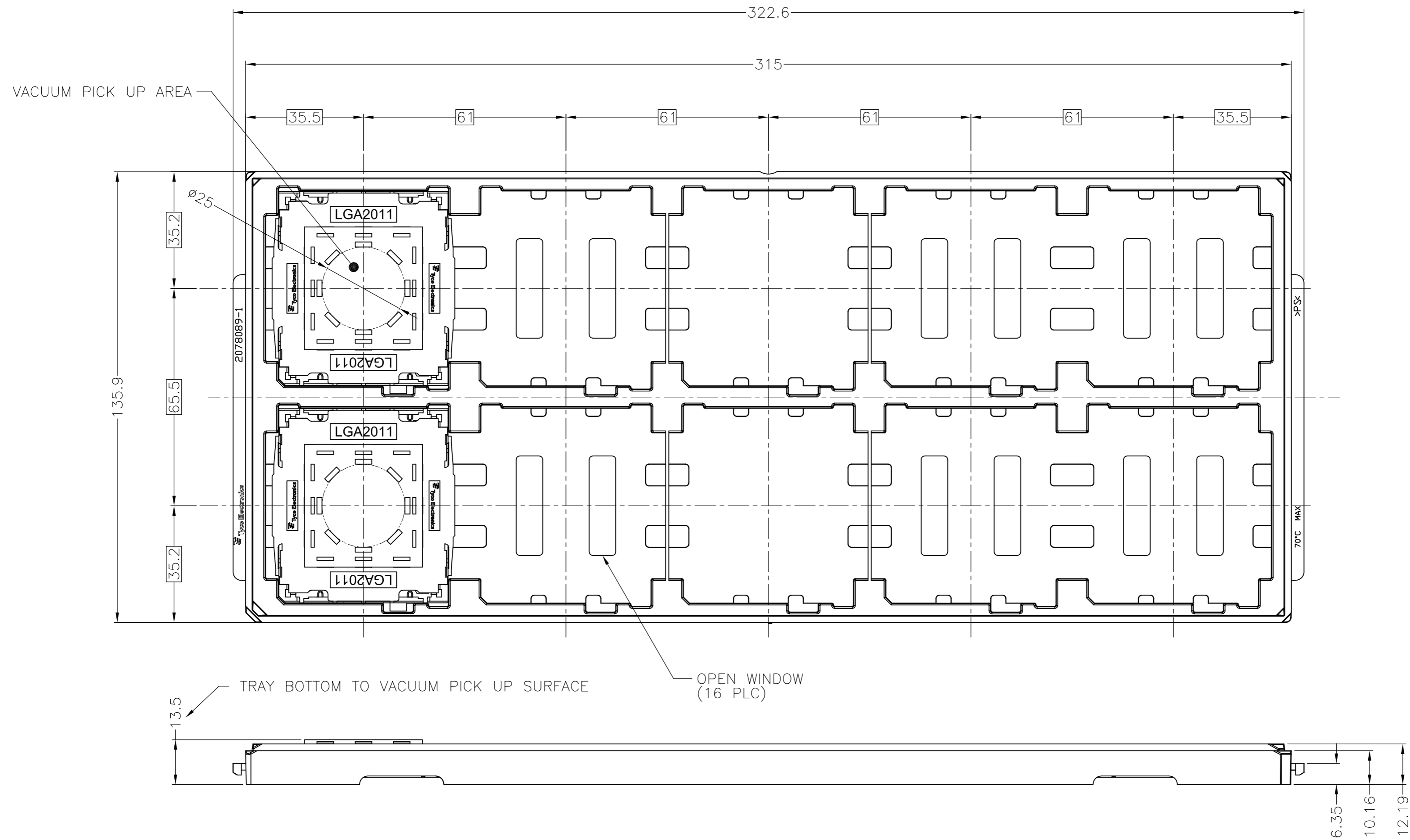
Email & Skype: info@chipsmall.com Web: www.chipsmall.com

Address: A1208, Overseas Decoration Building, #122 Zhenhua RD., Futian, Shenzhen, China



THIS DRAWING IS UNPUBLISHED. RELEASED FOR PUBLICATION
 © COPYRIGHT - By Tyco Electronics Japan G.K. ALL RIGHTS RESERVED.

LOC	DIST	REVISIONS					
J	-	P	LTR	DESCRIPTION	DATE	DWN	APVD
		B3	REVISED		25MAR'15	J.W	C.W



1. MATERIAL

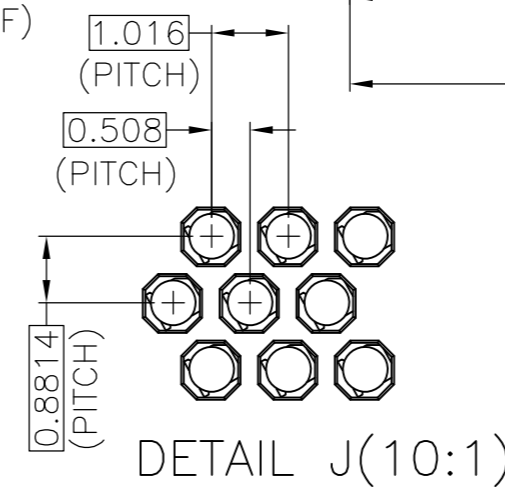
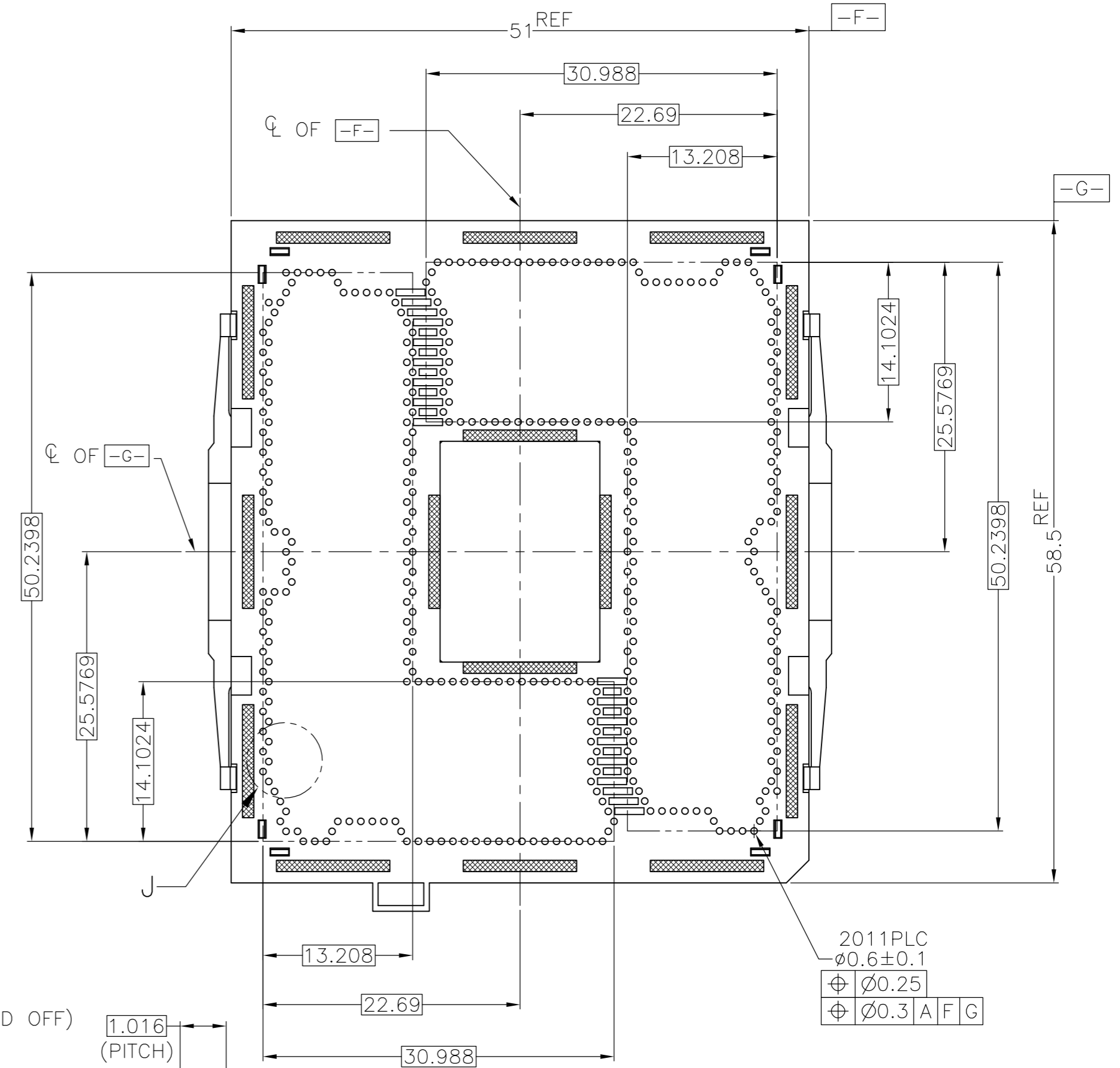
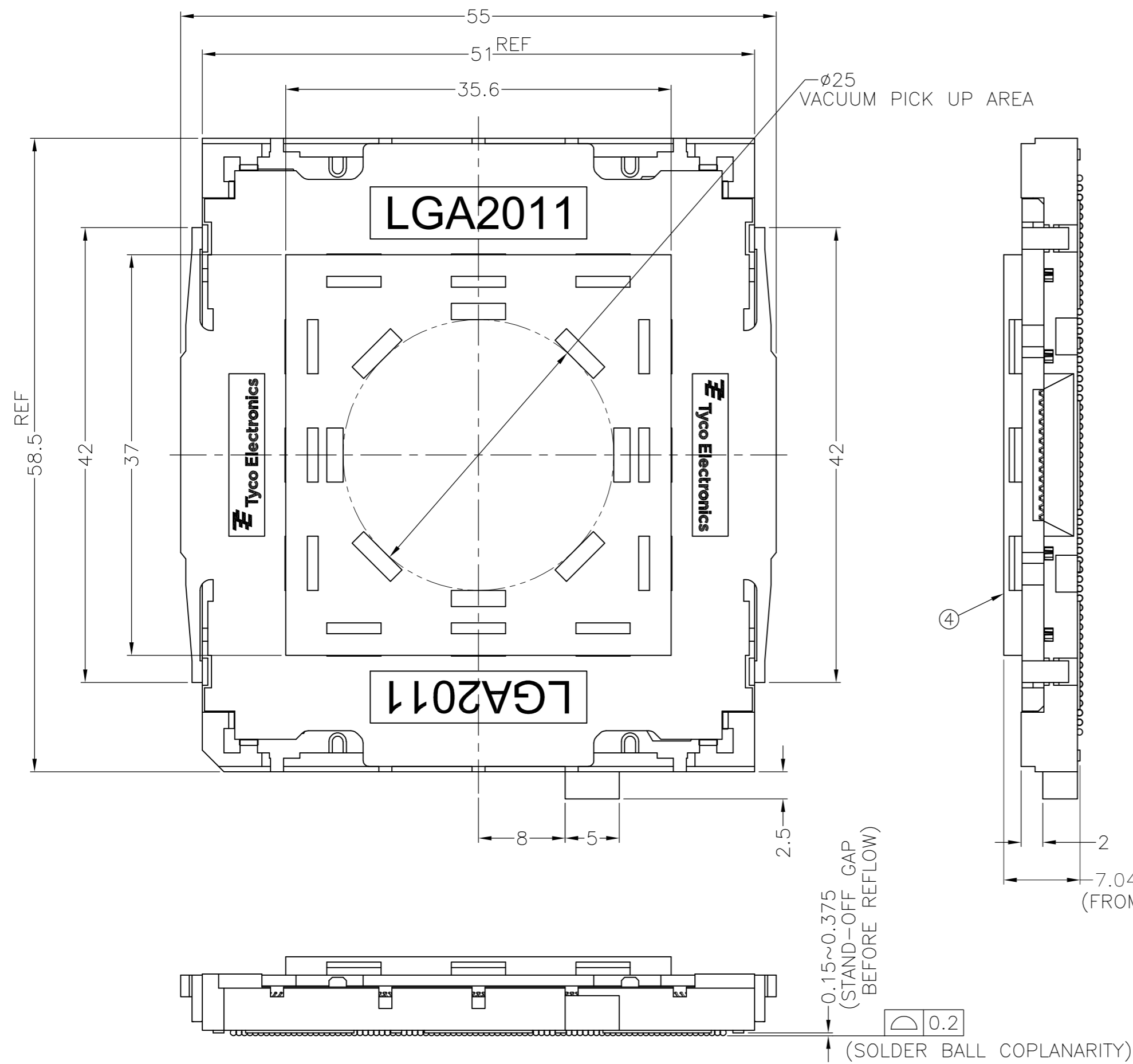
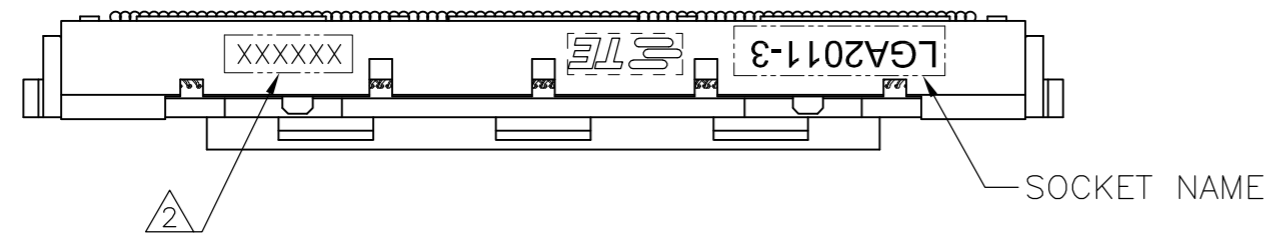
- ① HOUSING : HIGH TEMP, THERMO-PLASTIC, UL94V-0, BLACK
 - ② CONTACT : COPPER ALLOY
FINISH : Au PL. AT CONTACT AREA ON OVERALL OVER Ni UNDER PL. 0.00127 MIN.
 - ③ SOLDER BALL : Sn/Ag/Cu
 - ④ CAP : HIGH TEMP. THERMO-PLASTIC, UL94V-0, BLACK
- △ INDICATED DATE CODE ON THE HSG
3. PACKAGE TYPE: HARD TRAY, BLACK

2201838-2	LGA2011-3	0.76 um MIN Au PL
2201838-1	LGA2011-3	0.38 um MIN Au PL
PART NUMBER	SOCKET NAME	DESCRIPTION

THIS DRAWING IS A CONTROLLED DOCUMENT.		DWN M.L 04MAR2013	TE TE Connectivity	
DIMENSIONS: 単位: 純 mm		CHK H.TAGUCHI 04MAR2013		
TOLERANCES UNLESS OTHERWISE SPECIFIED: 一般公差		APVD T.NAKASHIMA 04MAR2013	NAME 名称	
0-PLC ± ±0.5 1-PLC ± ±0.5 2-PLC ± ±3° 3-PLC ± ± 4-PLC ± ±		PRODUCT SPEC 製品規格 108-78750	SOCKET ASSY LGA2011-3	
FINISH 仕上		APPLICATION SPEC 取付適用規格 114-5474	SIZE A2	CAGE CODE 00779
MATERIAL 材料		WEIGHT 19.1g	DRAWING NO 番号 C=2201838	RESTRICTED TO —
CUSTOMER DRAWING			SCALE 尺度 NTS	SHEET 1 of 4
			REV B3	

THIS DRAWING IS UNPUBLISHED. RELEASED FOR PUBLICATION
 © COPYRIGHT - By Tyco Electronics Japan G.K. ALL RIGHTS RESERVED.

LOC	DIST	REVISONS					
J	-	P	LTR	DESCRIPTION	DATE	DWN	APVD
		-	-	SEE SHEET 1	-	-	-

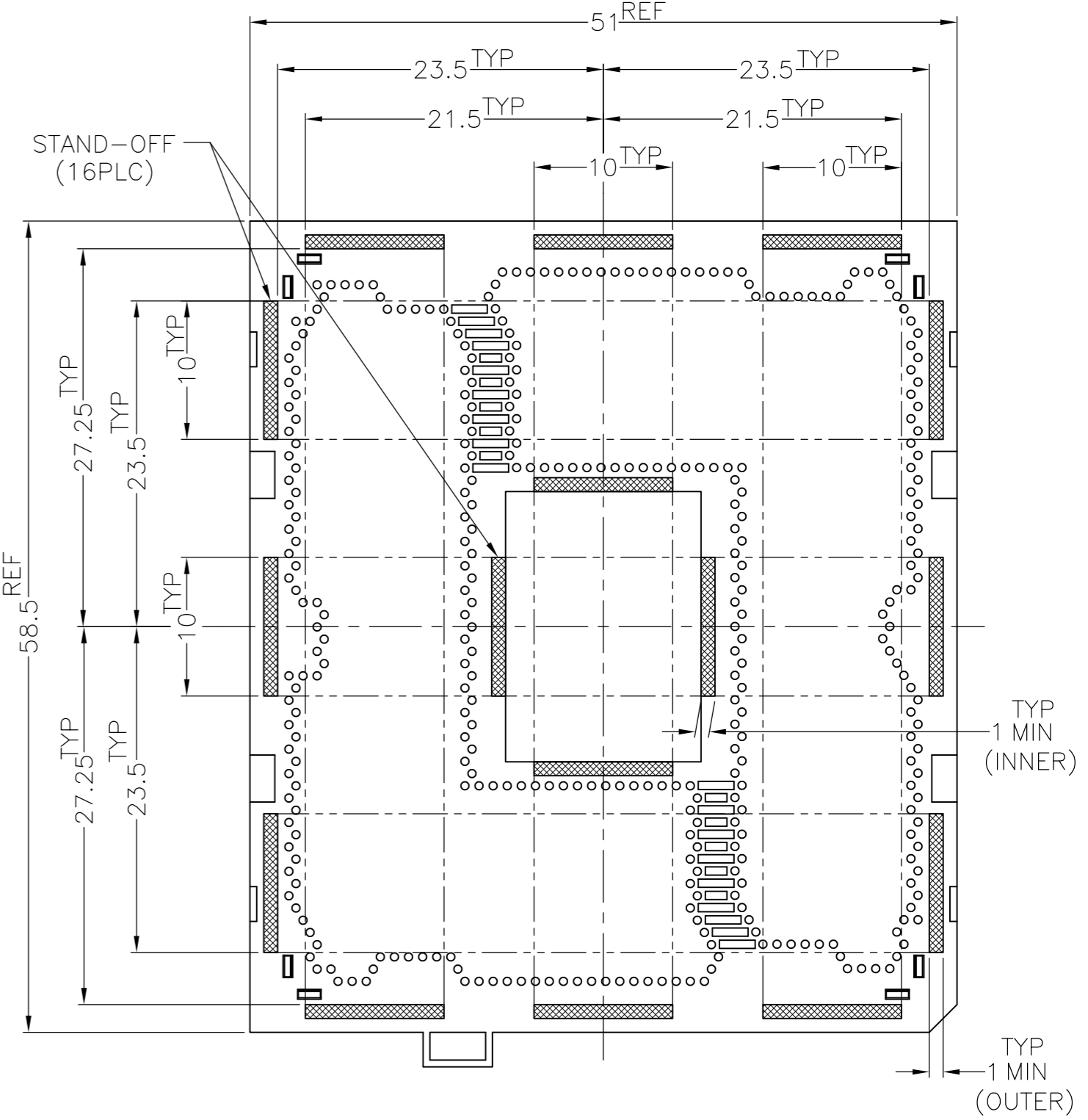
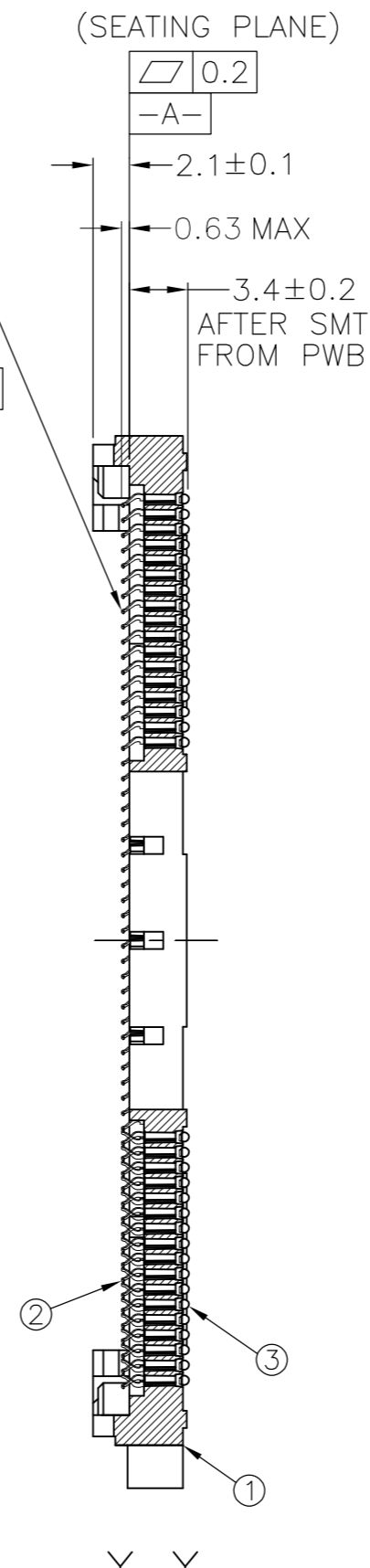
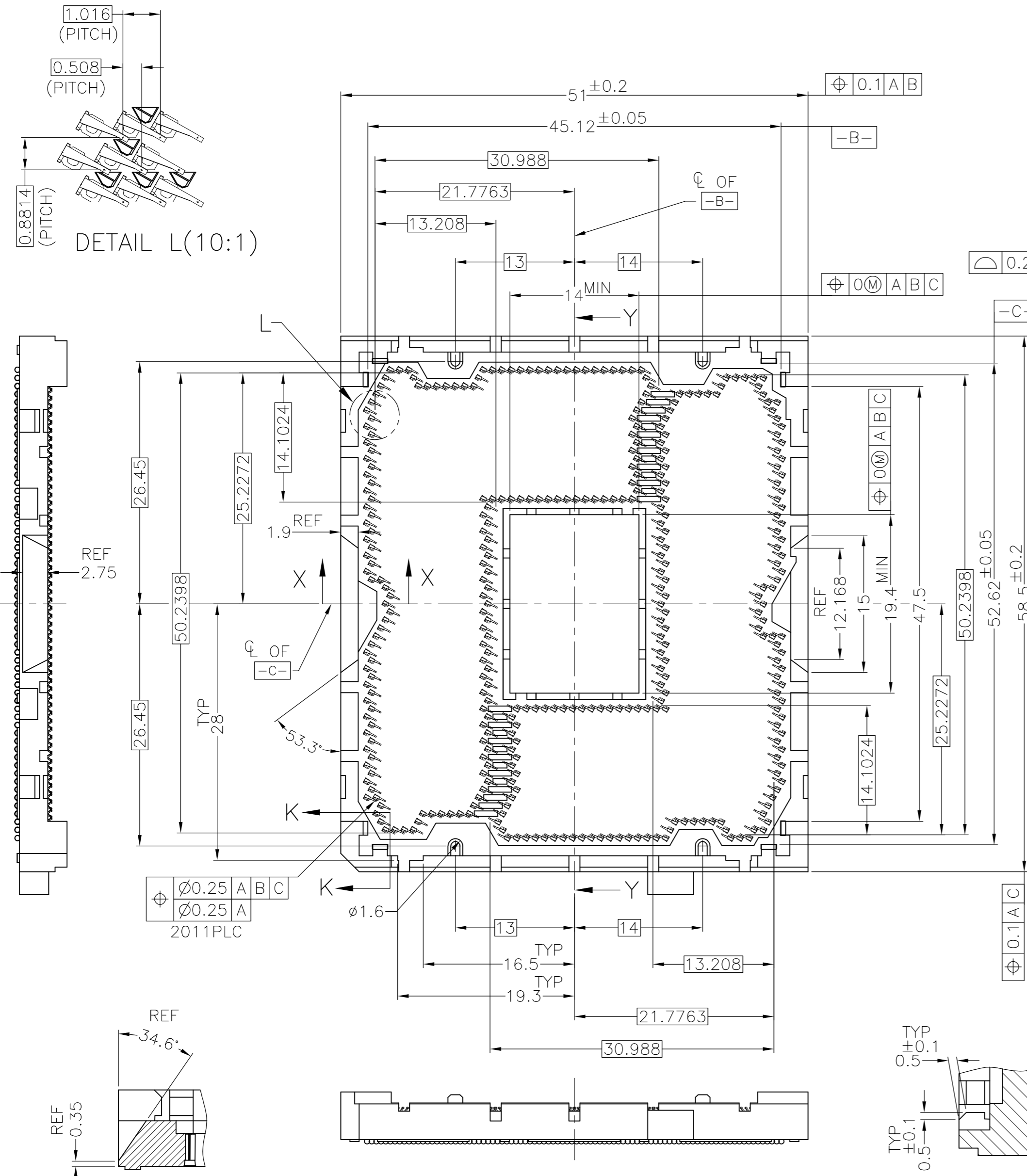


P/N: 2201838-* AS SHOWN

THIS DRAWING IS A CONTROLLED DOCUMENT.		DWN	-	TE Connectivity	
DIMENSIONS: 単位: 寸 mm		CHK	-		
TOLERANCES UNLESS OTHERWISE SPECIFIED: 一般公差		APVD	-	NAME 名称	
Ø PLC ± ±0.3 1 PLC ± ±0.3 2 PLC ± ±0.3 3 PLC ± ±0.3 4 PLC ± ±0.3 ANGLES ± ±		PRODUCT SPEC	-	SOCKET ASSY LGA2011-3	
MATERIAL 材料		FINISH 仕上	-	SIZE	A2
		WEIGHT	-	CAGE CODE	00779
		SCALE	NTS	DRAWING NO 番号	C=2201838
		CUSTOMER DRAWING		RESTRICTED TO	-
		SCALE	NTS	SHEET	2 of 4
				REV	B3

THIS DRAWING IS UNPUBLISHED. RELEASED FOR PUBLICATION
 © COPYRIGHT - By Tyco Electronics Japan G.K. ALL RIGHTS RESERVED.

LOC	DIST	REVISONS				DATE	DWN	APVD
		P	LTR	DESCRIPTION				
J	-	-	-	SEE SHEET 1	-	-	-	



P/N: 2201838-* AS SHOWN

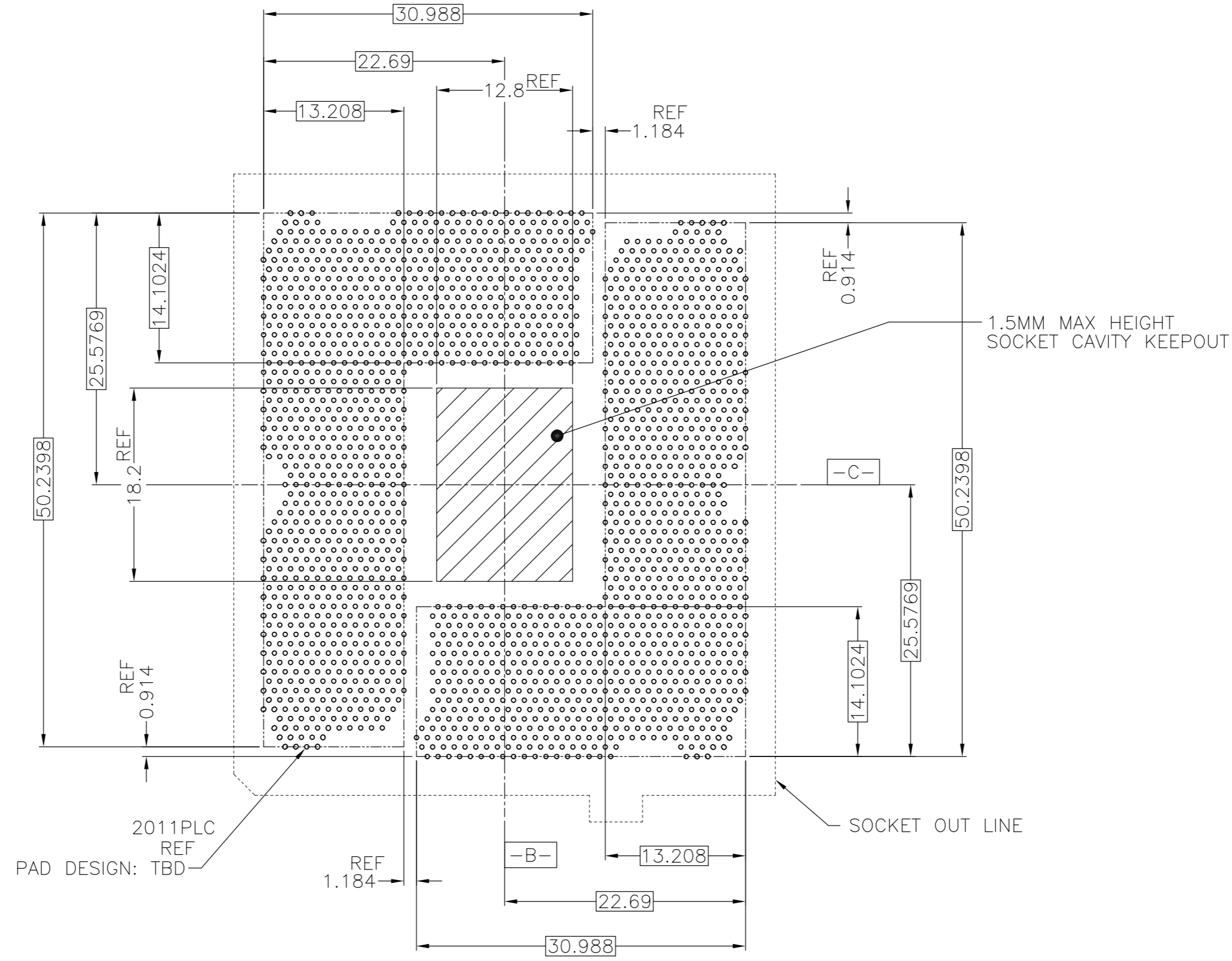
X-X (4:1)

K-K (4:1)
 DATUM WALL CHAMFER
 8 LOCATIONS

THIS DRAWING IS A CONTROLLED DOCUMENT.		DWN	TE Connectivity		NAME		
DIMENSIONS: 单位: 寸 mm		CHK			SOCKET ASSY		RESTRICTED TO
TOLERANCES UNLESS OTHERWISE SPECIFIED: 一般公差		APVD			LGA2011-3		
Ø PLG ±0.3 + PLG ±0.3 2 PLG ±0.3 3 PLG ±0.3 4 PLG ±0.3 ANGLES ±0.3 FINISH 仕上		PRODUCT SPEC 製品規格	SIZE A2	CAGE CODE 00779	DRAWING NO 番号 C=2201838		
MATERIAL 材料		APPLICATION SPEC 取付適用規格	WEIGHT -		SCALE 尺度 NTS		
CUSTOMER DRAWING			SHEET 3 OF 4		REV B3		

THIS DRAWING IS UNPUBLISHED. RELEASED FOR PUBLICATION
 © COPYRIGHT - By Tyco Electronics Japan G.K. ALL RIGHTS RESERVED.

LOC		DIST		REVISIONS					
J		-		P	LTR	DESCRIPTION	DATE	DWN	APVD
				-	-	SEE SHEET 1	-	-	-



REFERENCE PATTERN LAYOUT

FOR GENERAL BOARD DESIGN, PLEASE REFER TO THE THERMAL AND MECHANICAL DESIGN GUIDELINES(TMDG) PROVIDED BY INTEL CORPORATION

THIS DRAWING IS A CONTROLLED DOCUMENT.		DWN	-	TE TE Connectivity	
DIMENSIONS: 単位: 寸 mm		CHK	-		
TOLERANCES UNLESS OTHERWISE SPECIFIED: 一般公差		APVD	-	NAME 名称	
0-PLC ±		PRODUCT SPEC 製品規格		SOCKET ASSY LGA2011-3	
1-PLC ±		APPLICATION SPEC 取付適用規格		SIZE	A2
2-PLC ±		WEIGHT		CAGE CODE	00779
3-PLC ±		CUSTOMER DRAWING		DRAWING NO 番号	C=2201838
4-PLC ±		SCALE 尺度		RESTRICTED TO	-
ANGLES ±		SHEET		4 OF 4	
FINISH 仕上		REV		B3	