



Chipsmall Limited consists of a professional team with an average of over 10 year of expertise in the distribution of electronic components. Based in Hongkong, we have already established firm and mutual-benefit business relationships with customers from,Europe,America and south Asia,supplying obsolete and hard-to-find components to meet their specific needs.

With the principle of “Quality Parts,Customers Priority,Honest Operation,and Considerate Service”,our business mainly focus on the distribution of electronic components. Line cards we deal with include Microchip,ALPS,ROHM,Xilinx,Pulse,ON,Everlight and Freescale. Main products comprise IC,Modules,Potentiometer,IC Socket,Relay,Connector.Our parts cover such applications as commercial,industrial, and automotives areas.

We are looking forward to setting up business relationship with you and hope to provide you with the best service and solution. Let us make a better world for our industry!



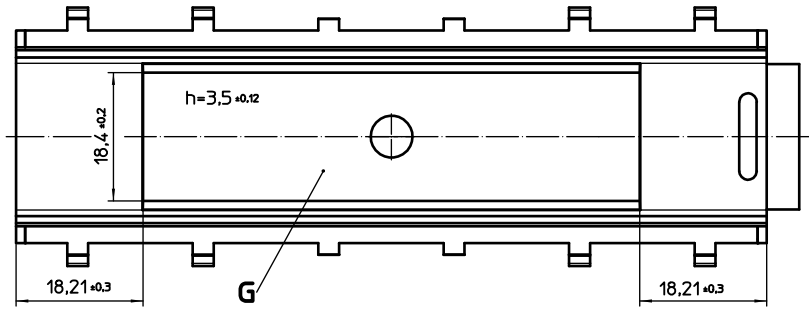
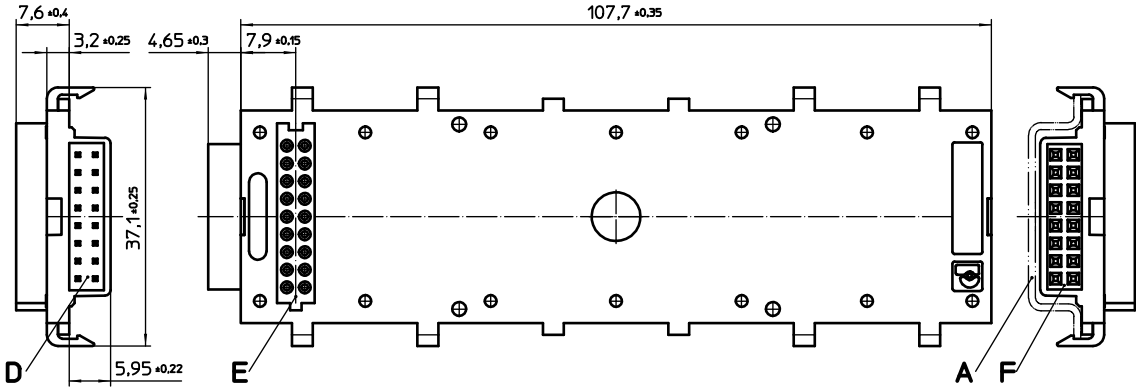
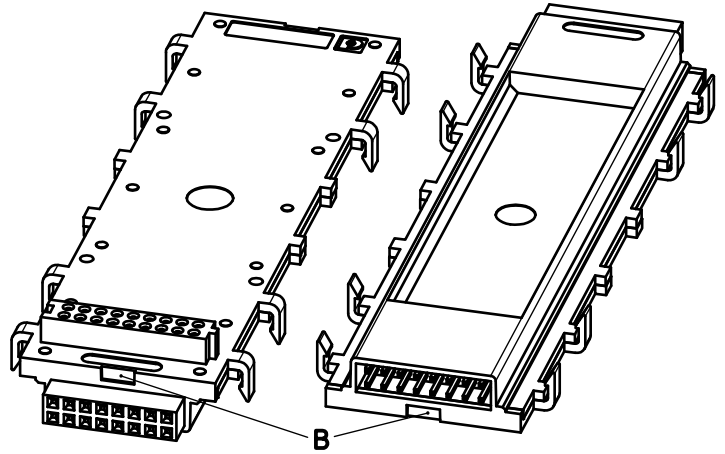
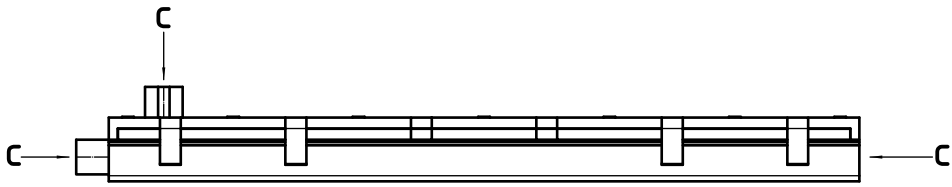
Contact us

Tel: +86-755-8981 8866 Fax: +86-755-8427 6832

Email & Skype: info@chipsmall.com Web: www.chipsmall.com

Address: A1208, Overseas Decoration Building, #122 Zhenhua RD., Futian, Shenzhen, China

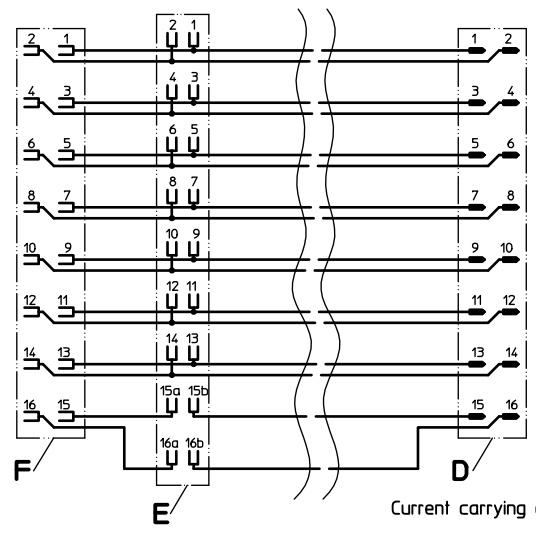




Transfer or duplication of this document as well as the utilization or communication of its content are not permitted unless express consent is granted by Phoenix Contact. All rights reserved in terms of patents, utility models or design patent registrations.

Weitergabe oder Verfertigung dieses Dokuments, Verwertung und Abwicklung seines Inhalts sind verboten, soweit nicht ausdrücklich gestattet. Alle Rechte vorbehalten. Phoenix Contact AG, Postfach 1308, 42699 Solingen, Deutschland.

Wiring diagram



Air- and creepage distances to the DIN rail min. 0,23mm
 Power line,
 air- and creepage distances between adjacent contacts min. 0,13mm
 Air- and creepage distances between power / signal line, min. 0,8mm
 Signale line,
 air- and creepage distances between adjacent contacts min. 0,13mm
 Air- and creepage distances to the DIN rail min. 0,23mm

Current carrying capacity 3A per contact however total current max. 25A

General Information:

- Simplified representation
- Document excluded from change process
- Linear dimensions [mm]
- Tolerances apply in a normal climate according to DIN EN ISO 291-23/50-2 PA plastic parts with about 2% (% by weight) moisture content.
- Further information: www.phoenixcontact.com webcode: #0311

- A. Mounting rail like EN 60715: TH 35-7,5 or mounting rail TH 35-15x1,5 similar to EN 60715
- B. Disassembly notch to separate BUS modules with screwdriver
- C. Optional HBUS-B ... : to protect unused HBUS connectors
- D. Male connector
- E. Top connector
- F. Female connector
- G. Free space for the mounting a screw head in the TH rail

DIN A2	document-No. / RI	date	scale
	00921016 / 01	24.03.2016	2:1
	ident.-No.	document-type	
		Customer drawing	
	description		
	HBUS 107,6-16P-1S		
page 1	of 1		