



Chipsmall Limited consists of a professional team with an average of over 10 year of expertise in the distribution of electronic components. Based in Hongkong, we have already established firm and mutual-benefit business relationships with customers from,Europe,America and south Asia,supplying obsolete and hard-to-find components to meet their specific needs.

With the principle of “Quality Parts,Customers Priority,Honest Operation,and Considerate Service”,our business mainly focus on the distribution of electronic components. Line cards we deal with include Microchip,ALPS,ROHM,Xilinx,Pulse,ON,Everlight and Freescale. Main products comprise IC,Modules,Potentiometer,IC Socket,Relay,Connector.Our parts cover such applications as commercial,industrial, and automotives areas.

We are looking forward to setting up business relationship with you and hope to provide you with the best service and solution. Let us make a better world for our industry!



## Contact us

Tel: +86-755-8981 8866 Fax: +86-755-8427 6832

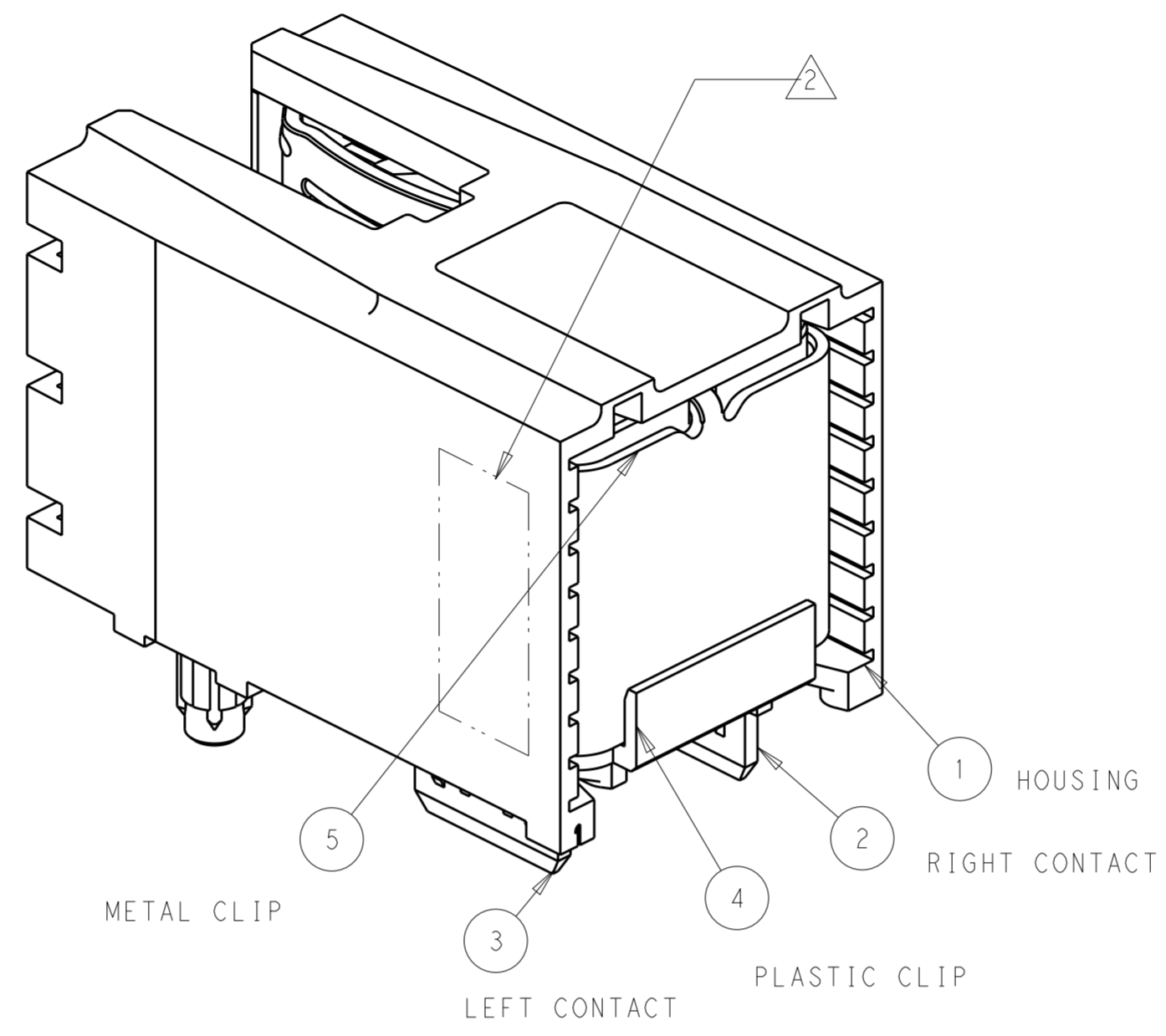
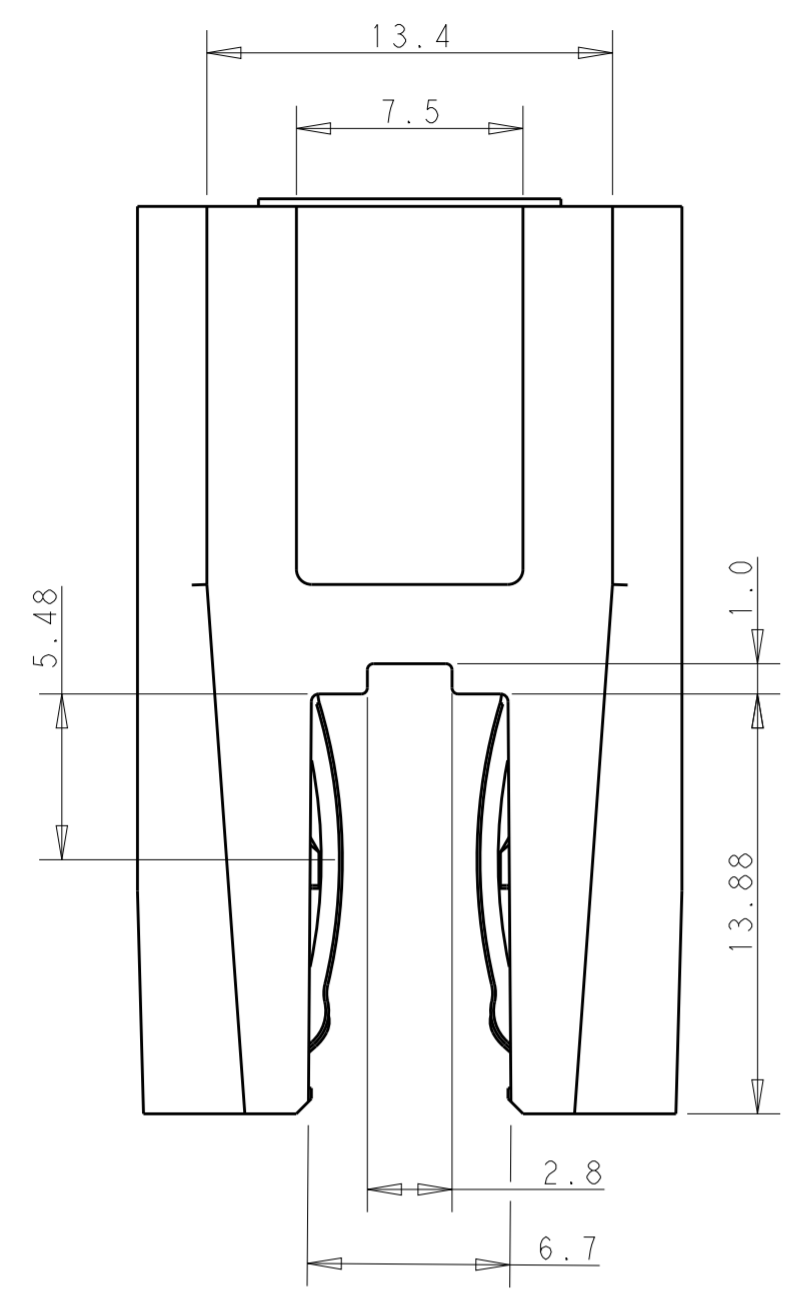
Email & Skype: info@chipsmall.com Web: www.chipsmall.com

Address: A1208, Overseas Decoration Building, #122 Zhenhua RD., Futian, Shenzhen, China

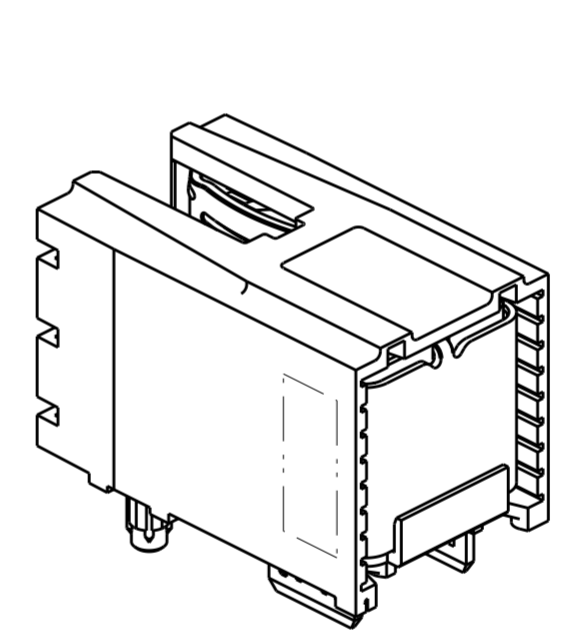
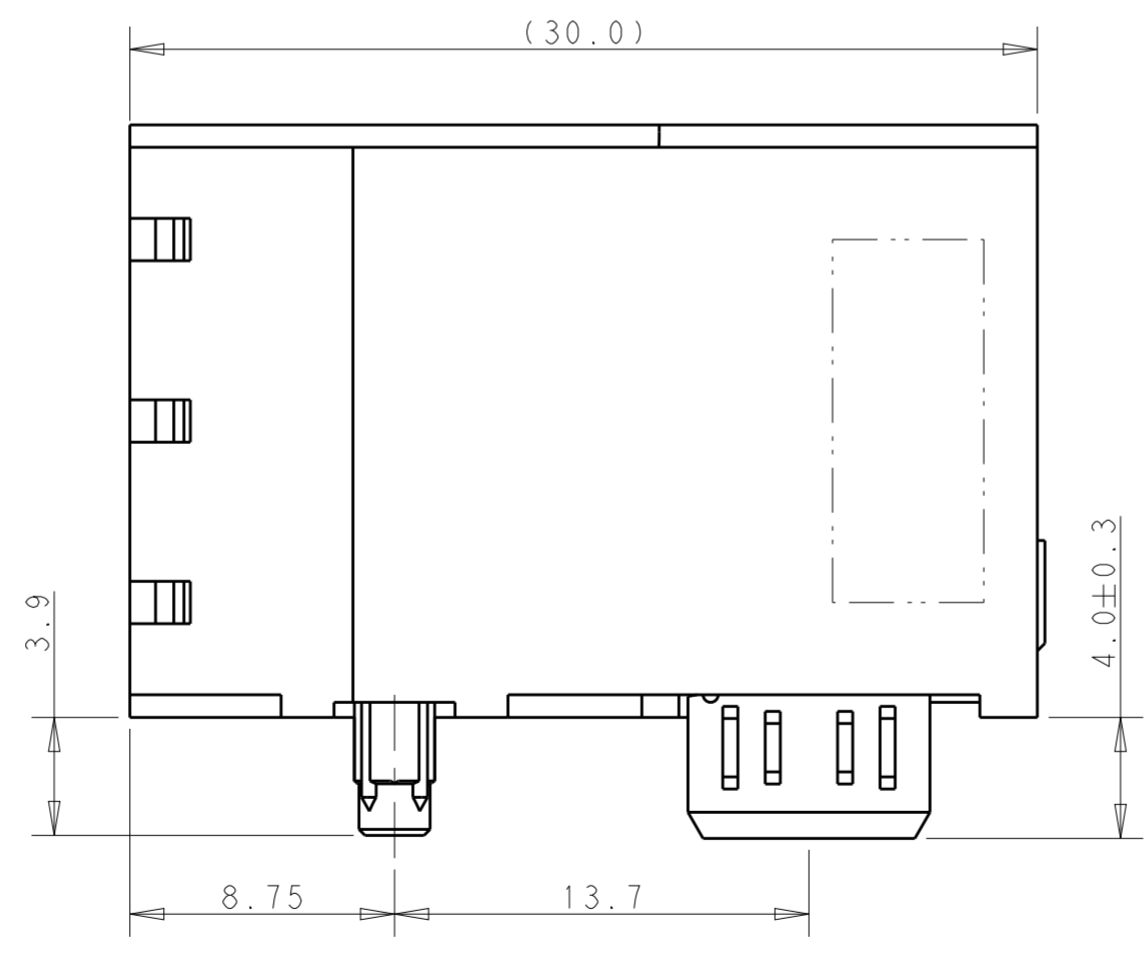
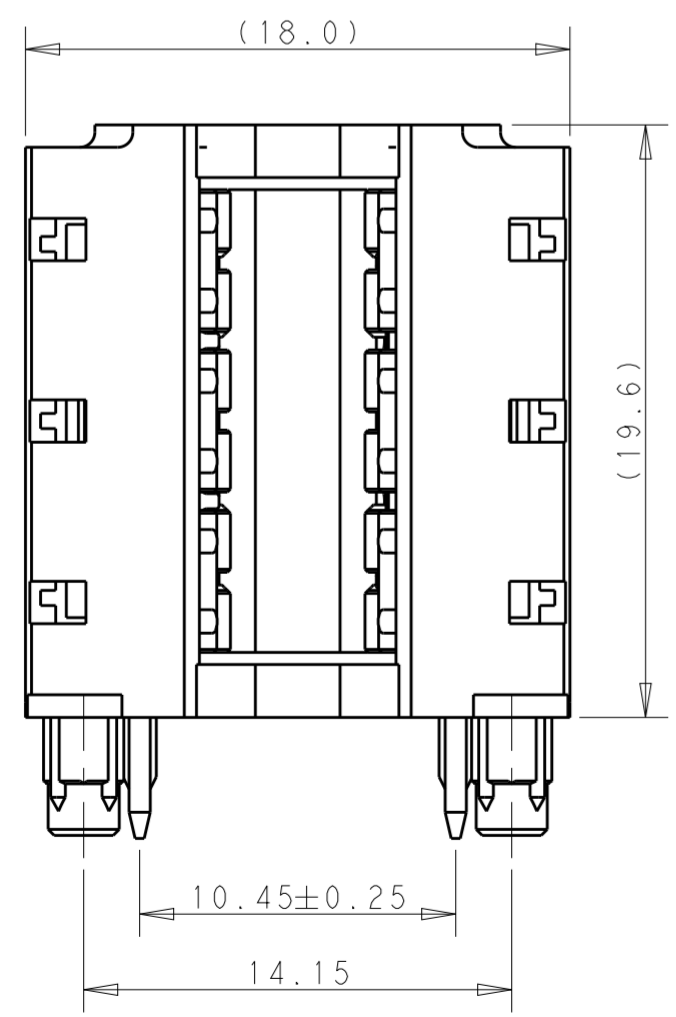


THIS DRAWING IS UNPUBLISHED. RELEASED FOR PUBLICATION 2011  
 © COPYRIGHT 2011 ALL RIGHTS RESERVED.

LOC	DIST	REVISIONS			
P	LTR	DESCRIPTION	DATE	DWN	APVD
FT	0	A	RELEASED DRAWING	18AUG2016	TZ SZ

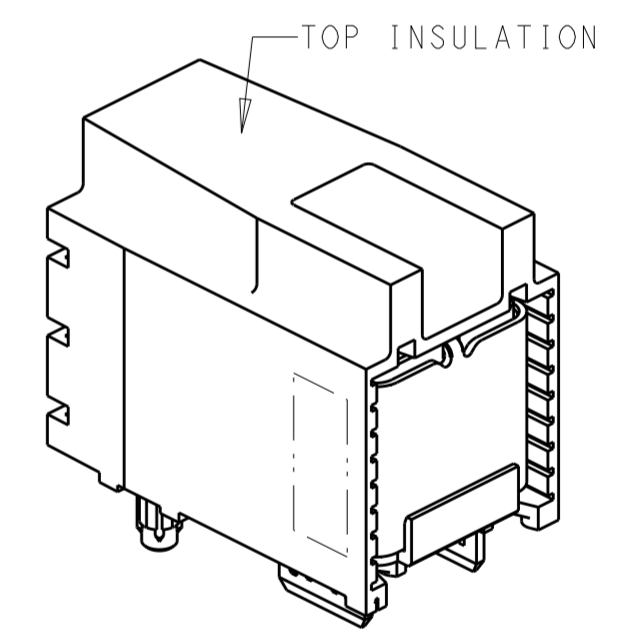


- NOTES, UNLESS OTHERWISE SPECIFIED:
- MATERIAL:  
HOUSING-THERMOPLASTIC GLASS PREINFORCED,  
COLOR: BLACK, UL 94 V-0  
CONTACT-COPPER ALLOY
  - AREA FOR DATE CODE AND P/N.
  - FINISH:  
MATING AREA - NOBLE METAL OVERALL NICKEL  
SOLDER TYPE AREA - MATTE TIN OVERALL NICKEL.
  - SURFACE ROUGHNESS IN CONTACT AREA: Ra 1.6um MAX.
  - PLATING NOBLE MATERIAL ON FUNCTION AREA TO MEET THE CUSTOMER REQUIREMENT.



SCALE 2:1

PRODUCT VIEW  
P/N: 2204018-1



SCALE 2:1

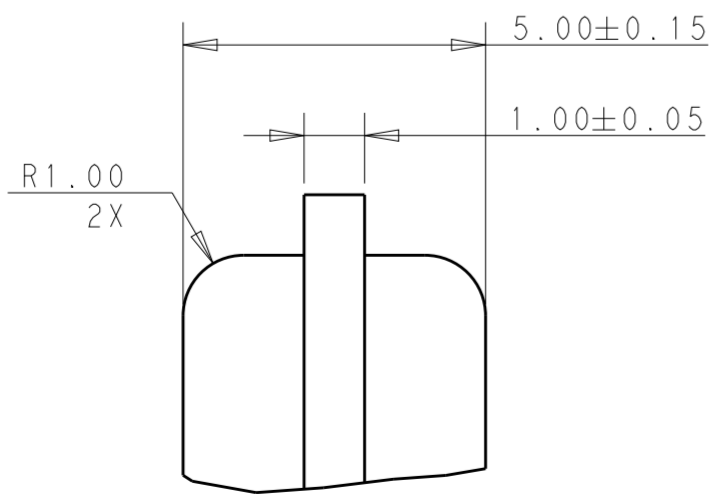
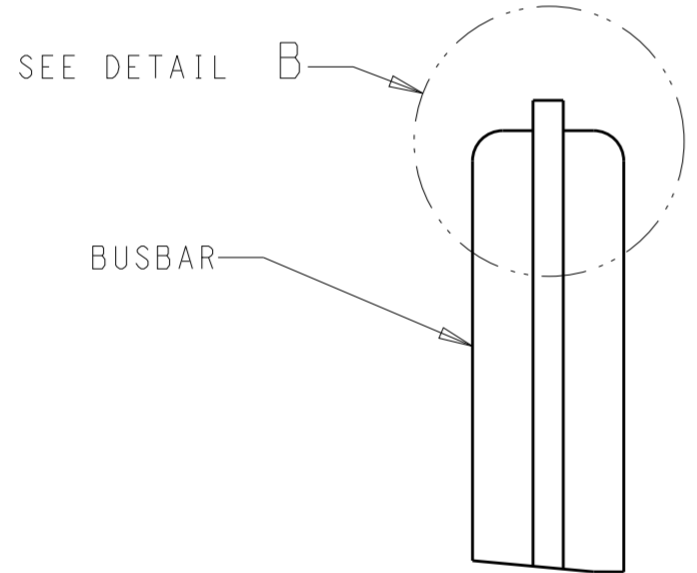
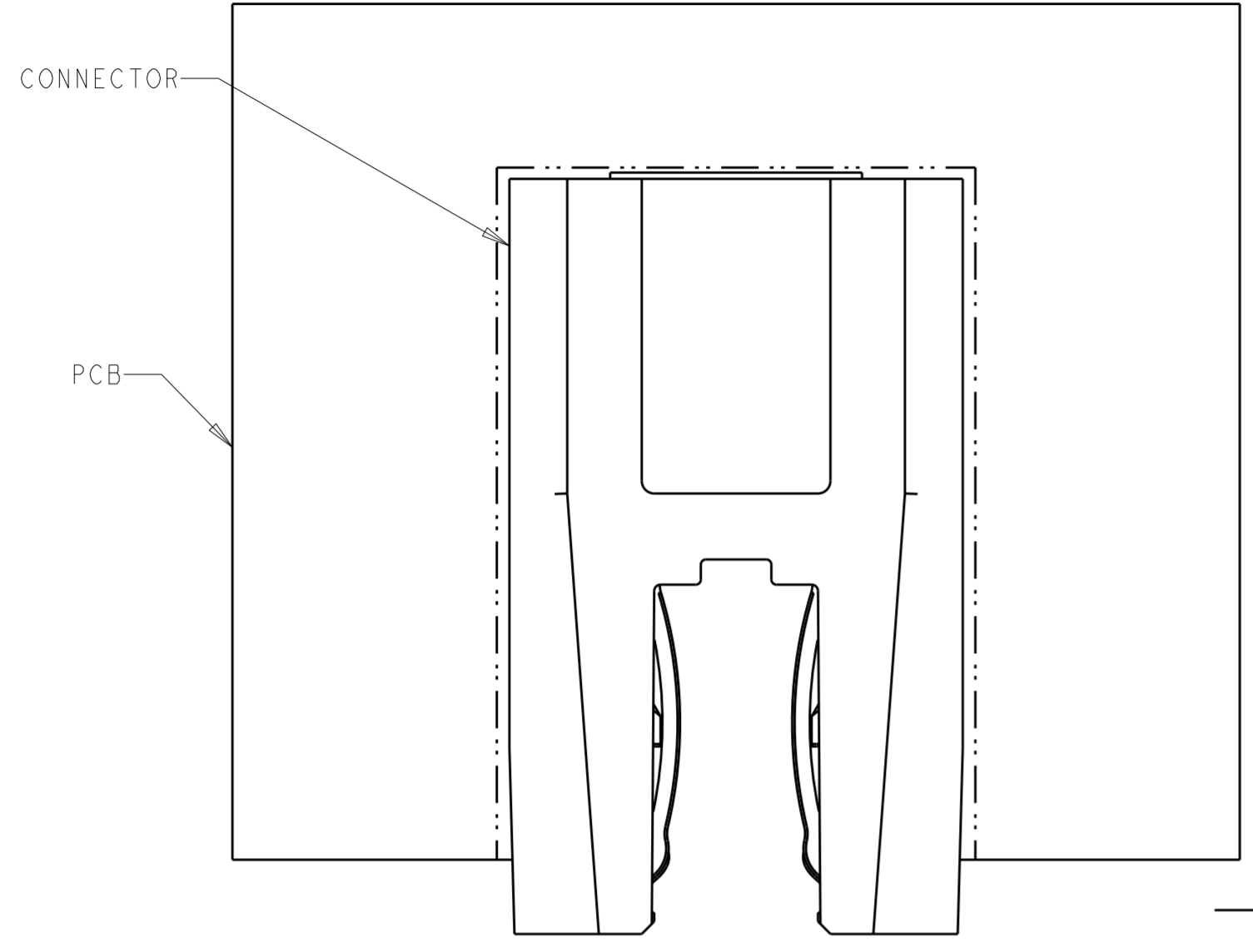
PRODUCT VIEW W/ TOP INSULATION  
P/N: 2204018-2

PRELIMINARY	PRODUCT NUMBER	DESCRIPTION	ITEM
	2204018-2	DUAL CROWN CLIP JUNIOR CONN W/TOP INSULATION	2
	2204018-1	DUAL CROWN CLIP JUNIOR CONN	1

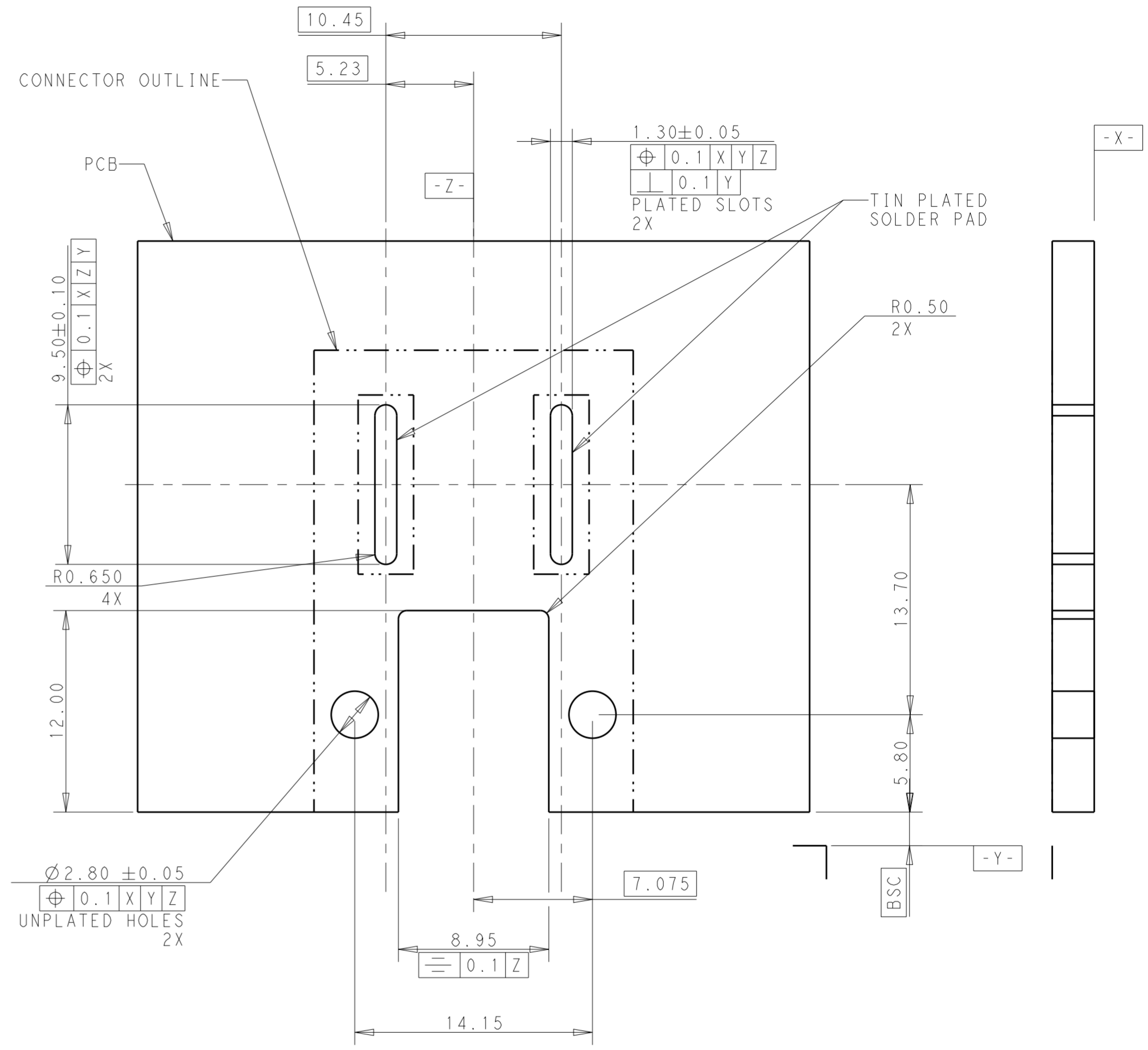
THIS DRAWING IS A CONTROLLED DOCUMENT.		DWN J. CHENG 11JAN2012	TE Connectivity		
DIMENSIONS: mm		CHK S. ZHAO 11JAN2012			NAME PLUGGABLE BUSBAR CONNECTOR SOLDER VERSION DUAL POLE CROWN CLIP JR
TOLERANCES UNLESS OTHERWISE SPECIFIED: 0 PLC ± - 1 PLC ± 0.25 2 PLC ± 0.15 3 PLC ± 0.05 4 PLC ± - ANGLES ± 1° FINISH		APVD S. ZHAO 11JAN2012			SIZE A2
MATERIAL		PRODUCT SPEC - APPLICATION SPEC -	CAGE CODE 00779	DRAWING NO 2204018	
		WEIGHT -	RESTRICTED TO -	SCALE 4:1	
		CUSTOMER DRAWING	SHEET 1	OF 2	
			REV A		

THIS DRAWING IS UNPUBLISHED. RELEASED FOR PUBLICATION 2011  
 © COPYRIGHT 2011 ALL RIGHTS RESERVED.

LOC	DIST	REVISIONS					
FT	0	P	LTR	DESCRIPTION	DATE	DWN	APVD
		-		SEE SHEET 1			



DETAIL B  
SCALE 8:1



RECOMMENDED PCB LAYOUT THICKNESS: 1.6-2.5MM

THIS DRAWING IS A CONTROLLED DOCUMENT.		DWN J. CHENG 11JAN2012	TE Connectivity	
DIMENSIONS: mm		CHK S. ZHAO 11JAN2012		
TOLERANCES UNLESS OTHERWISE SPECIFIED:		APVD S. ZHAO 11JAN2012	NAME PLUGGABLE BUSBAR CONNECTOR SOLDER VERSION DUAL POLE CROWN CLIP JR	
0 PLC ± -	1 PLC ± 0.25	PRODUCT SPEC -	SIZE A2	CAGE CODE 00779
2 PLC ± 0.15	3 PLC ± 0.05	APPLICATION SPEC -	DRAWING NO. C-2204018	RESTRICTED TO -
4 PLC ± -	ANGLES ± 1°	WEIGHT -	SCALE 4:1	SHEET 2 OF 2
MATERIAL FINISH		CUSTOMER DRAWING		REV A