



Chipsmall Limited consists of a professional team with an average of over 10 year of expertise in the distribution of electronic components. Based in Hongkong, we have already established firm and mutual-benefit business relationships with customers from,Europe,America and south Asia,supplying obsolete and hard-to-find components to meet their specific needs.

With the principle of “Quality Parts,Customers Priority,Honest Operation,and Considerate Service”,our business mainly focus on the distribution of electronic components. Line cards we deal with include Microchip,ALPS,ROHM,Xilinx,Pulse,ON,Everlight and Freescale. Main products comprise IC,Modules,Potentiometer,IC Socket,Relay,Connector.Our parts cover such applications as commercial,industrial, and automotives areas.

We are looking forward to setting up business relationship with you and hope to provide you with the best service and solution. Let us make a better world for our industry!



Contact us

Tel: +86-755-8981 8866 Fax: +86-755-8427 6832

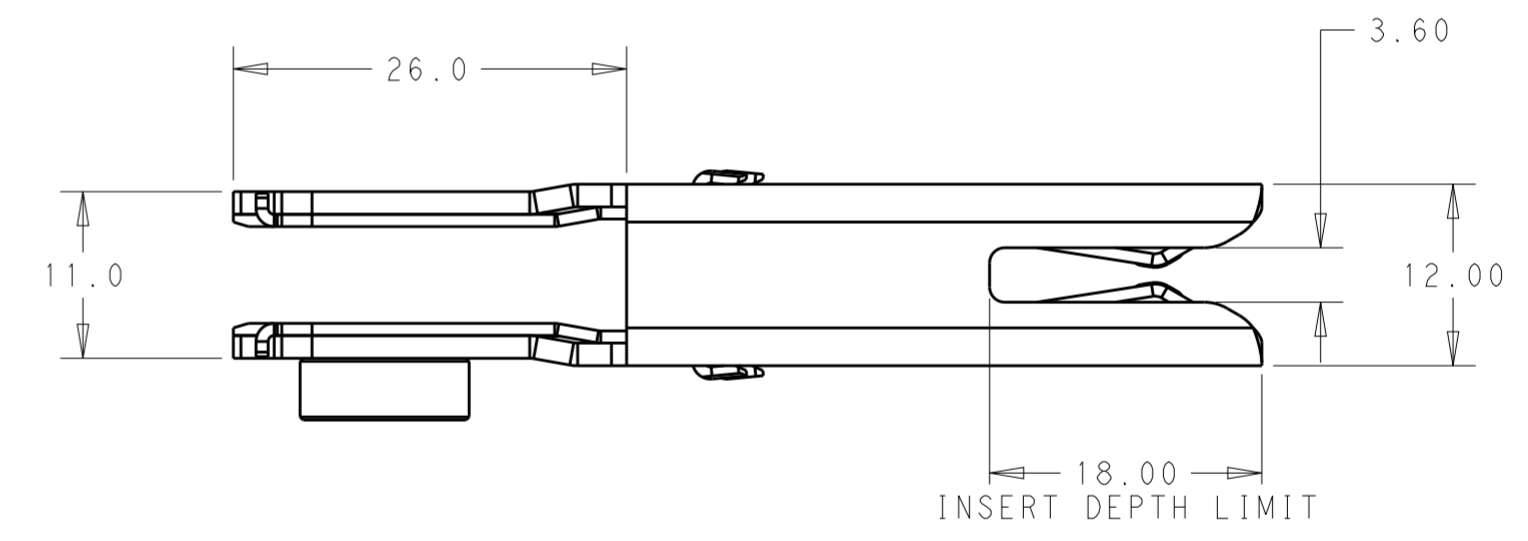
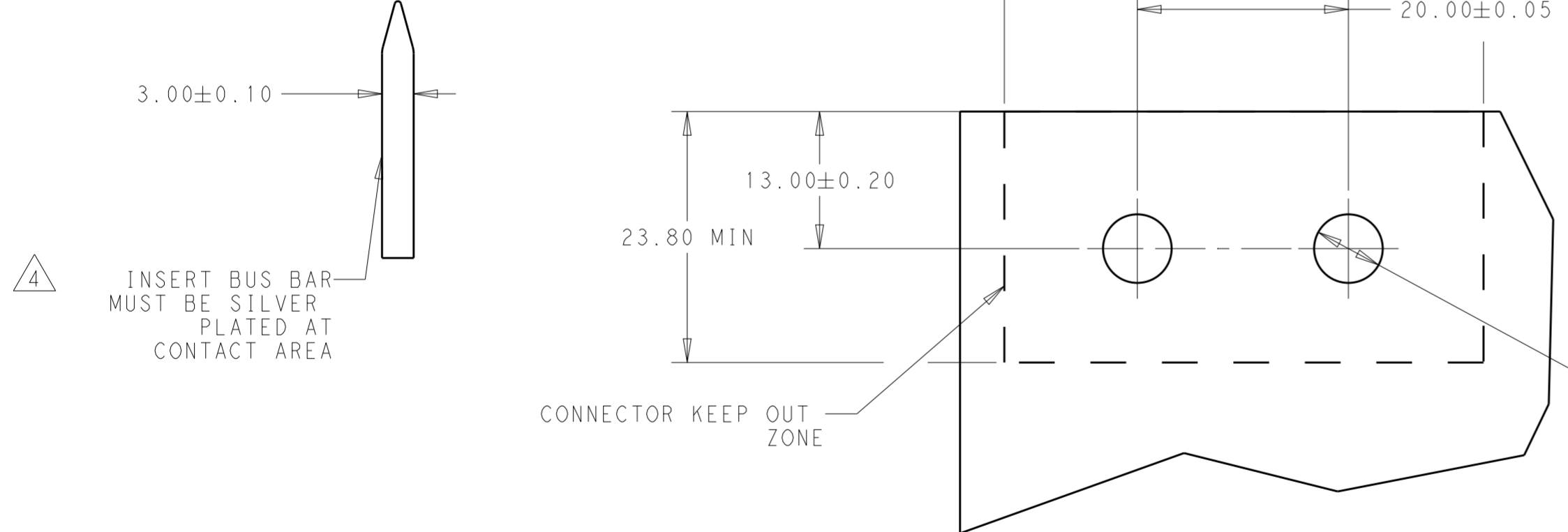
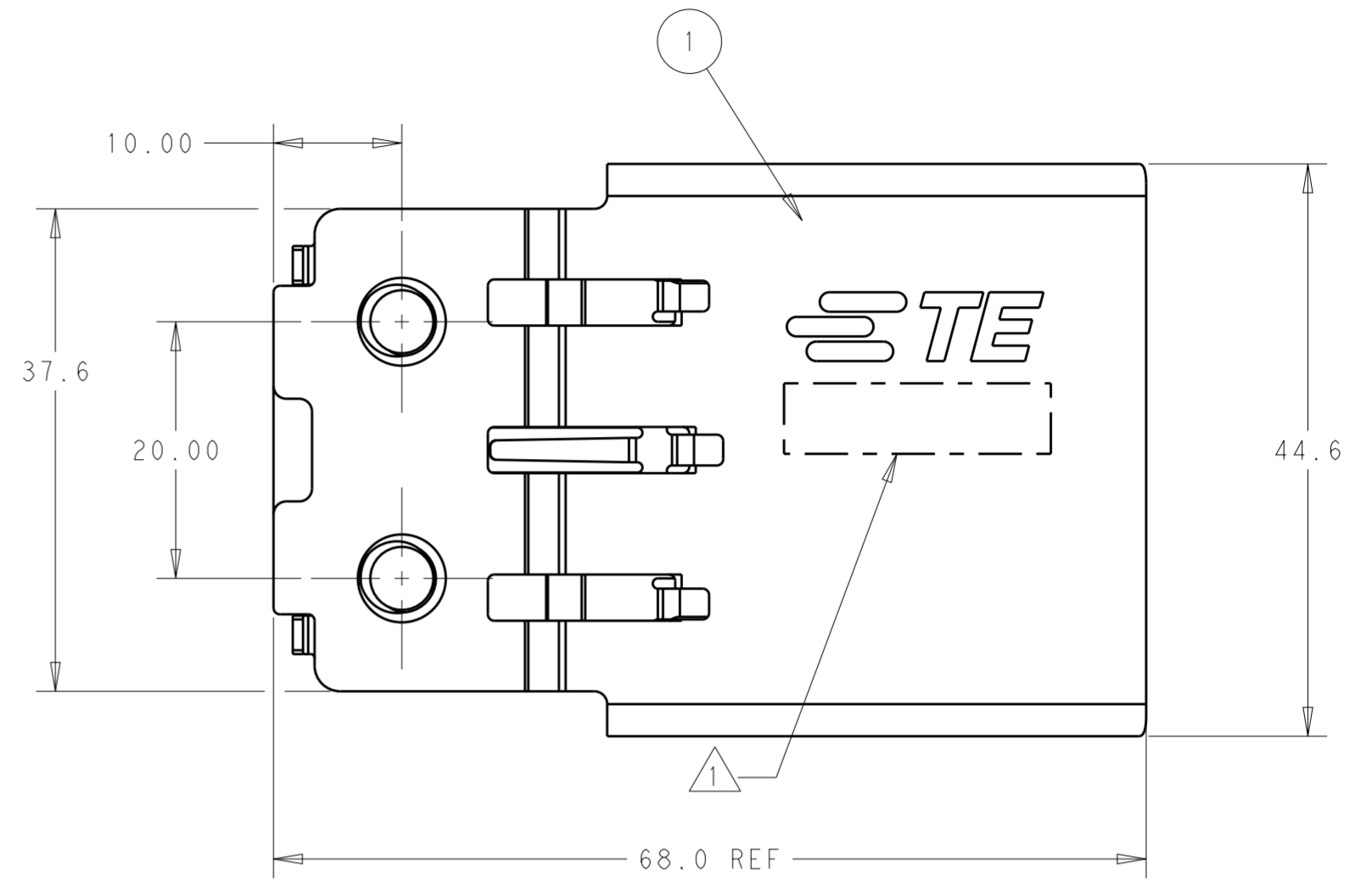
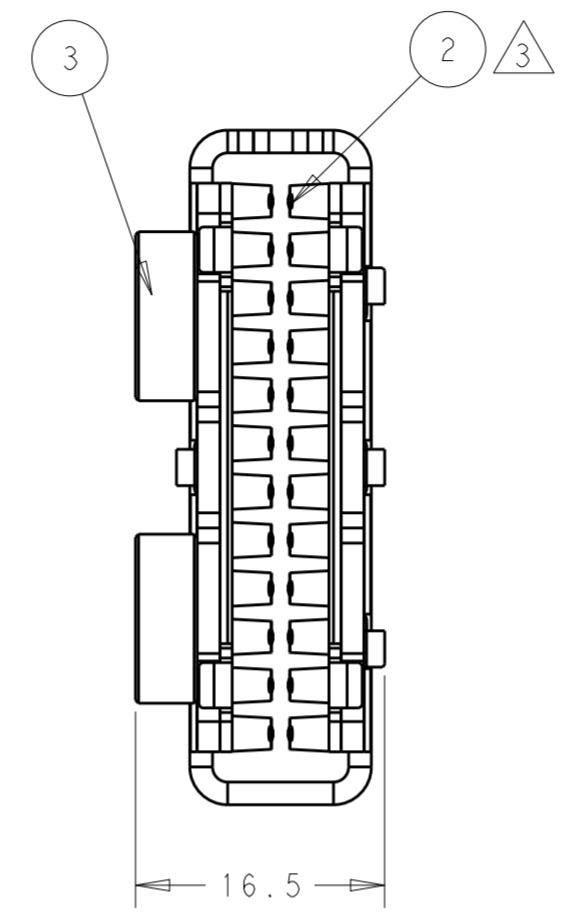
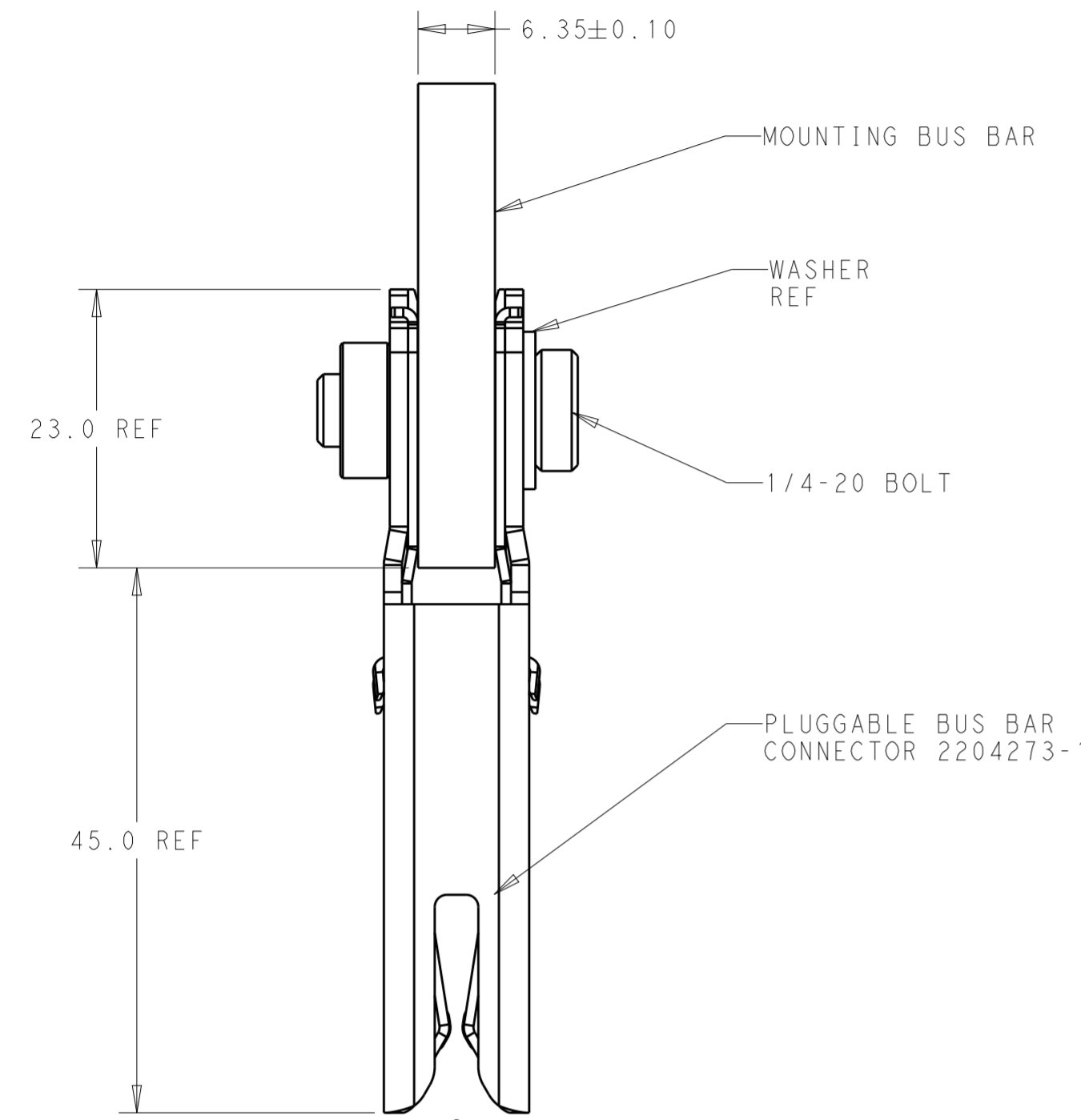
Email & Skype: info@chipsmall.com Web: www.chipsmall.com

Address: A1208, Overseas Decoration Building, #122 Zhenhua RD., Futian, Shenzhen, China



THIS DRAWING IS UNPUBLISHED. RELEASED FOR PUBLICATION 20
 © COPYRIGHT 20 BY - ALL RIGHTS RESERVED.

REVISIONS					
P	LTR	DESCRIPTION	DATE	DWN	APVD
	A	RELEASE	05JUL2016	AL	SZ
	A1	ADD NOTES	19JUL2017	AL	SZ



RECOMMENDED MOUNTING BUS BAR LAYOUT

- NOTES:
- ① PART NUMBER AND DATACODE TO BE MARKED IN AREA SHOWN
 - ② MATERIAL: SHOWN IN BOM LIST
 - ③ CONTACT PLATING: SILVER PLATING ON CONTACT FUNCTIONAL AREA
 - ④ BUS BAR MUST BE SILVER PLATING ON CONTACT AREA

PART NUMBER	ITEMS	DESCRIPTION	MATERIAL	Q'TY	FINISH
2204273-1 ②	3	CLINCHING NUT 1/4-20 THREAD	STAINLESS STEEL	2	-
	2	CONTACT	COPPER ALLOY	2	SILVER
	1	OUTER HOUSING	STAINLESS STEEL	1	-

THIS DRAWING IS A CONTROLLED DOCUMENT.		DWN ANDY LI 17JUN2014	STE TE Connectivity	
DIMENSIONS: mm		CHK SUNY ZHAO 17JUN2014		
TOLERANCES UNLESS OTHERWISE SPECIFIED:		APVD SUNY ZHAO 17JUN2014	NAME PLUGGABLE BUS BAR CONNECTOR IN-LINE MOUNTING	
0 PLC ±-		PRODUCT SPEC 108-128012	SIZE A2	
1 PLC ±0.2		APPLICATION SPEC 114-2111	CAGE CODE -	
2 PLC ±0.15		WEIGHT 97.28	DRAWING NO C-2204273	
3 PLC ±0.05		CUSTOMER DRAWING	RESTRICTED TO -	
4 PLC ±0.0001		SCALE 1:1	SHEET 1 OF 1	
ANGLES ±1			REV A1	
FINISH				