



Chipsmall Limited consists of a professional team with an average of over 10 year of expertise in the distribution of electronic components. Based in Hongkong, we have already established firm and mutual-benefit business relationships with customers from,Europe,America and south Asia,supplying obsolete and hard-to-find components to meet their specific needs.

With the principle of “Quality Parts,Customers Priority,Honest Operation,and Considerate Service”,our business mainly focus on the distribution of electronic components. Line cards we deal with include Microchip,ALPS,ROHM,Xilinx,Pulse,ON,Everlight and Freescale. Main products comprise IC,Modules,Potentiometer,IC Socket,Relay,Connector.Our parts cover such applications as commercial,industrial, and automotives areas.

We are looking forward to setting up business relationship with you and hope to provide you with the best service and solution. Let us make a better world for our industry!



Contact us

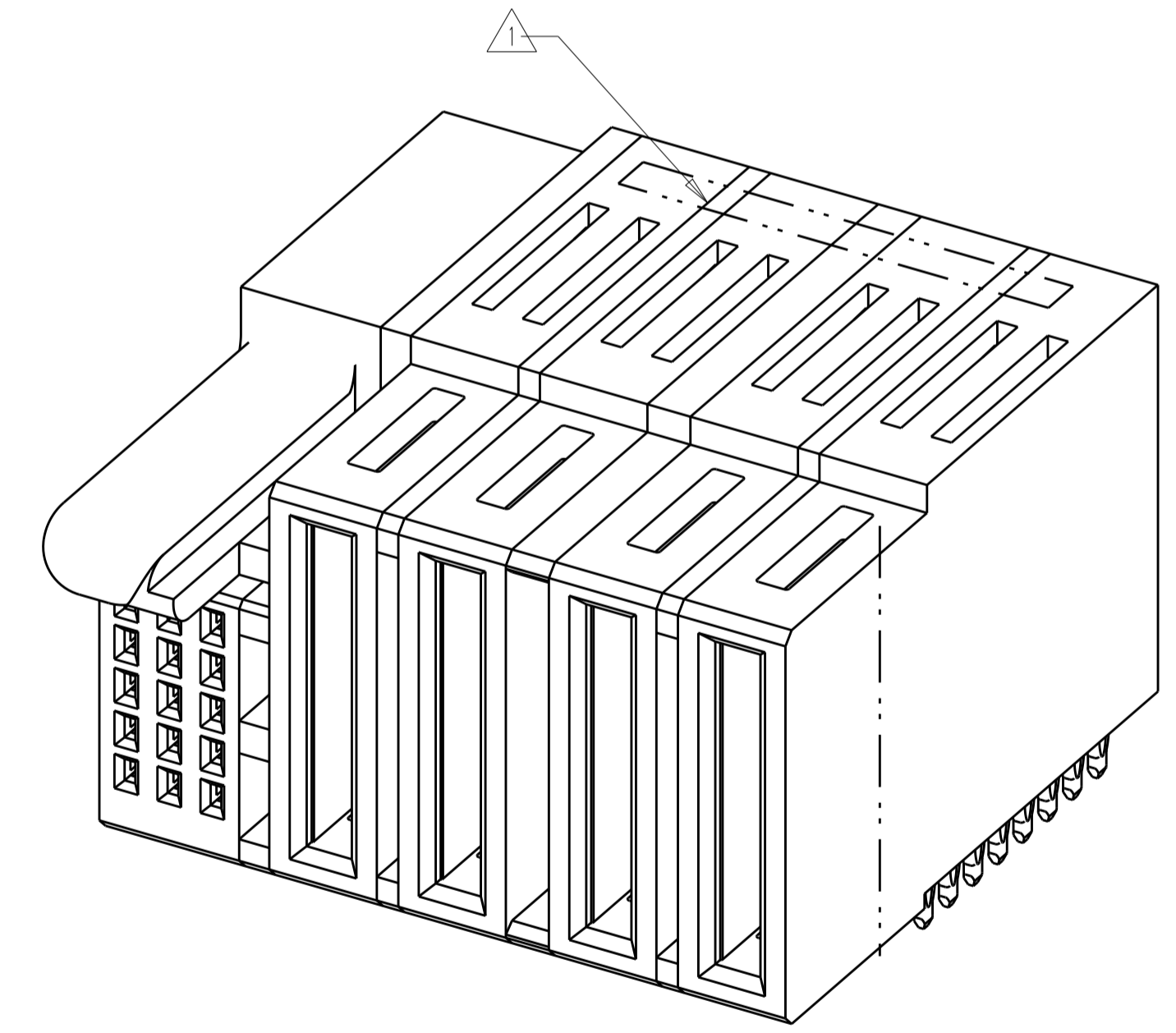
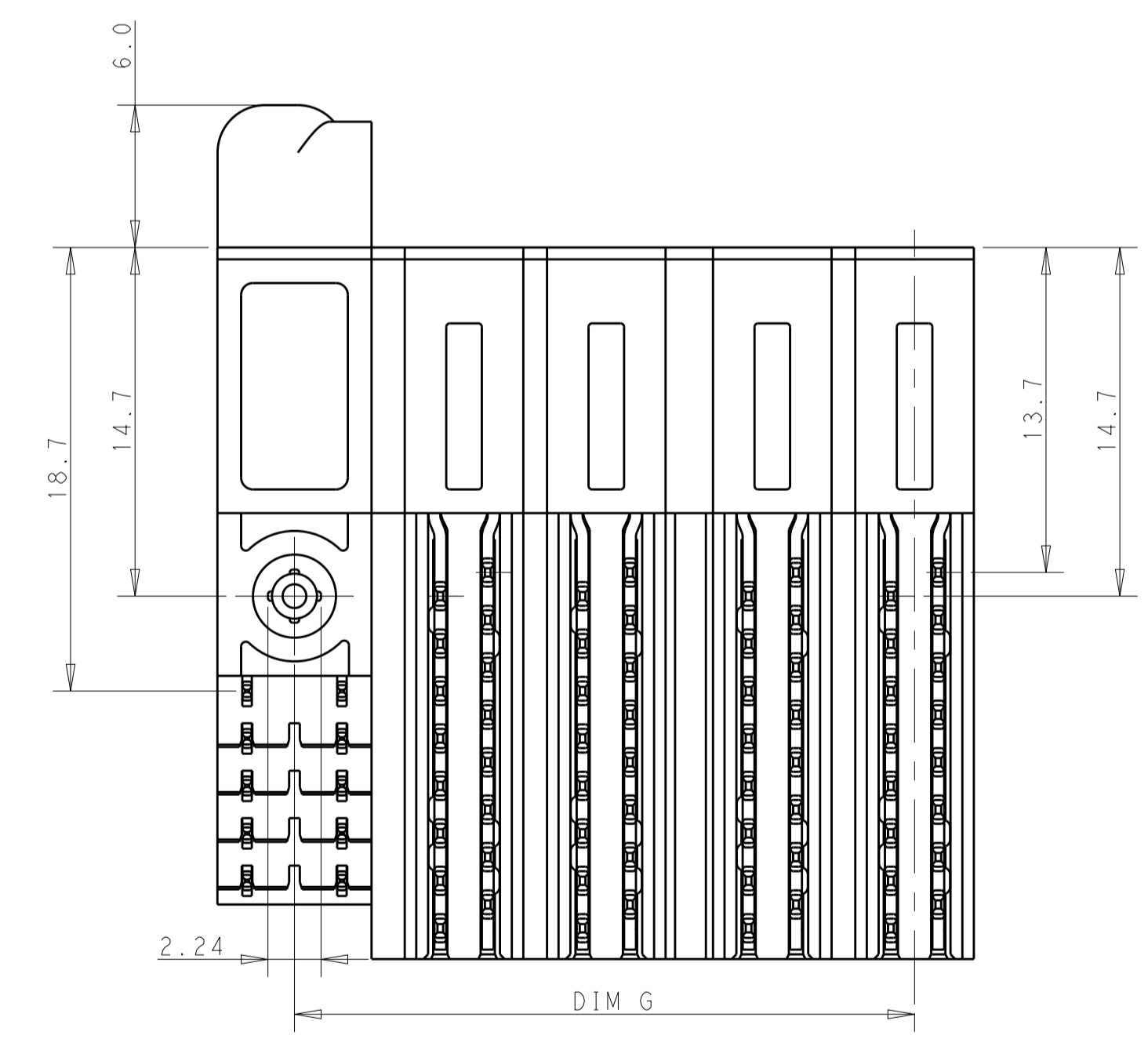
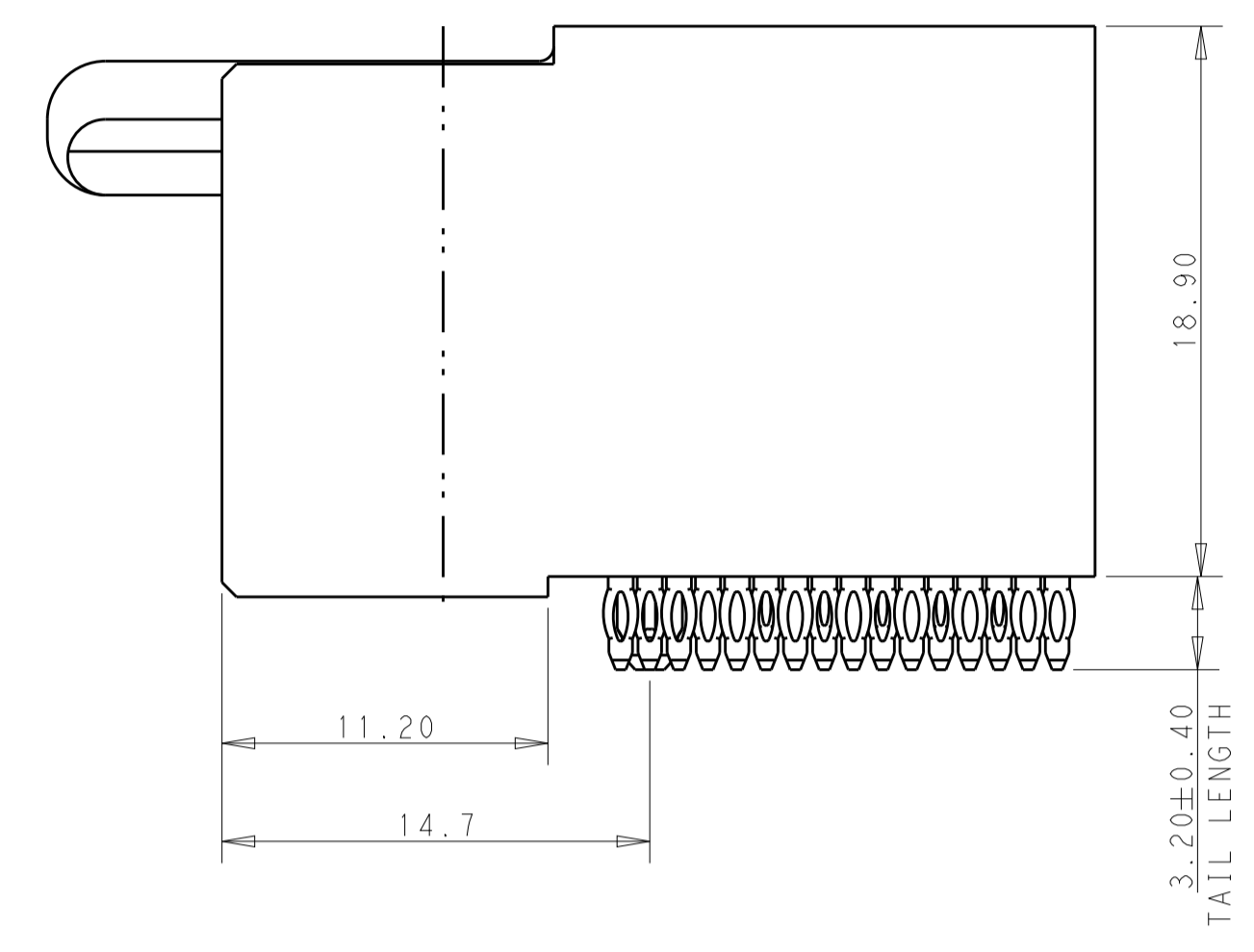
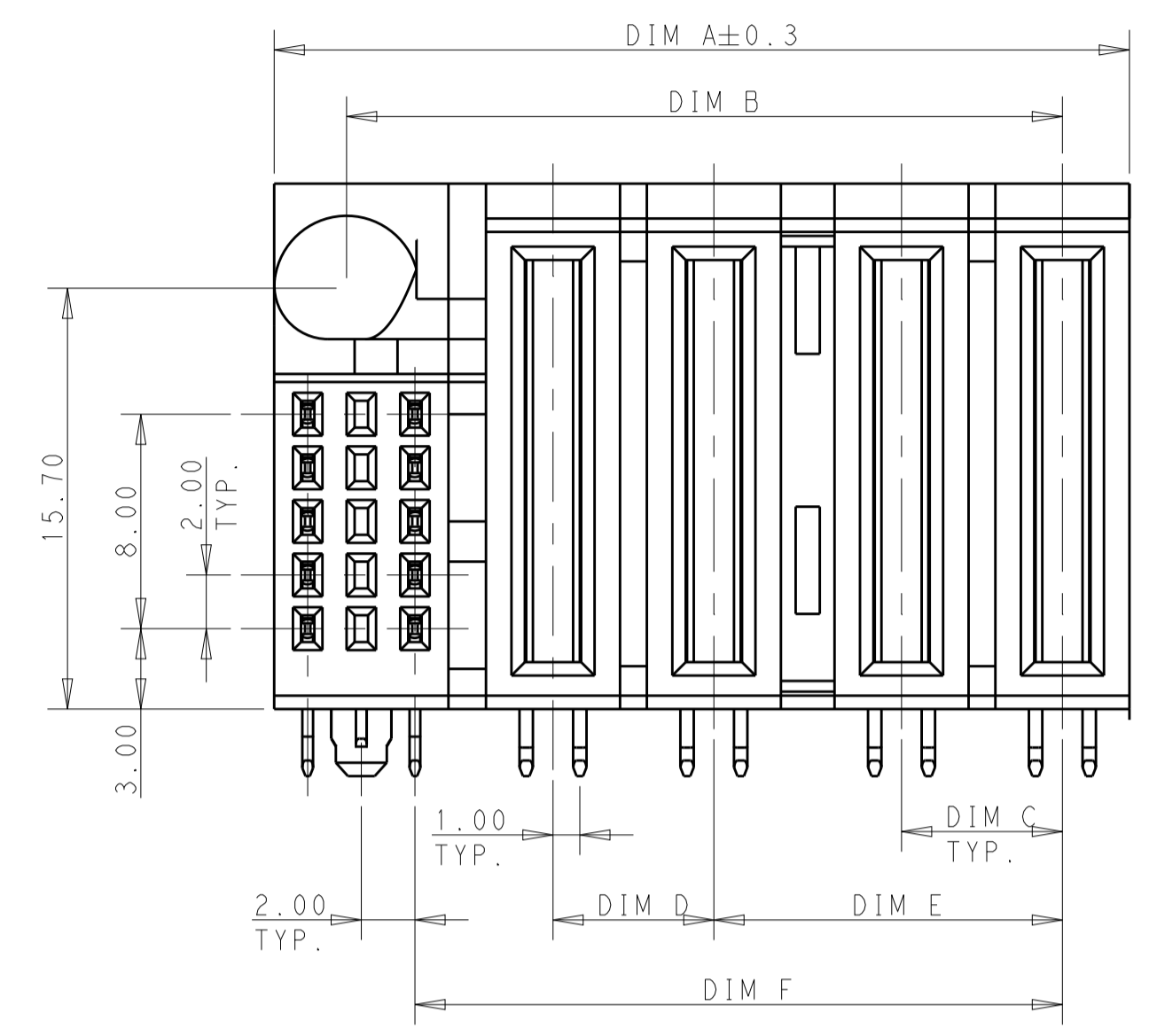
Tel: +86-755-8981 8866 Fax: +86-755-8427 6832

Email & Skype: info@chipsmall.com Web: www.chipsmall.com

Address: A1208, Overseas Decoration Building, #122 Zhenhua RD., Futian, Shenzhen, China



REVISIONS					
P.	LTN	DESCRIPTION	DATE	DWN	APVD
A1	ECR-16-006244		11MAY2016	TZ	SZ

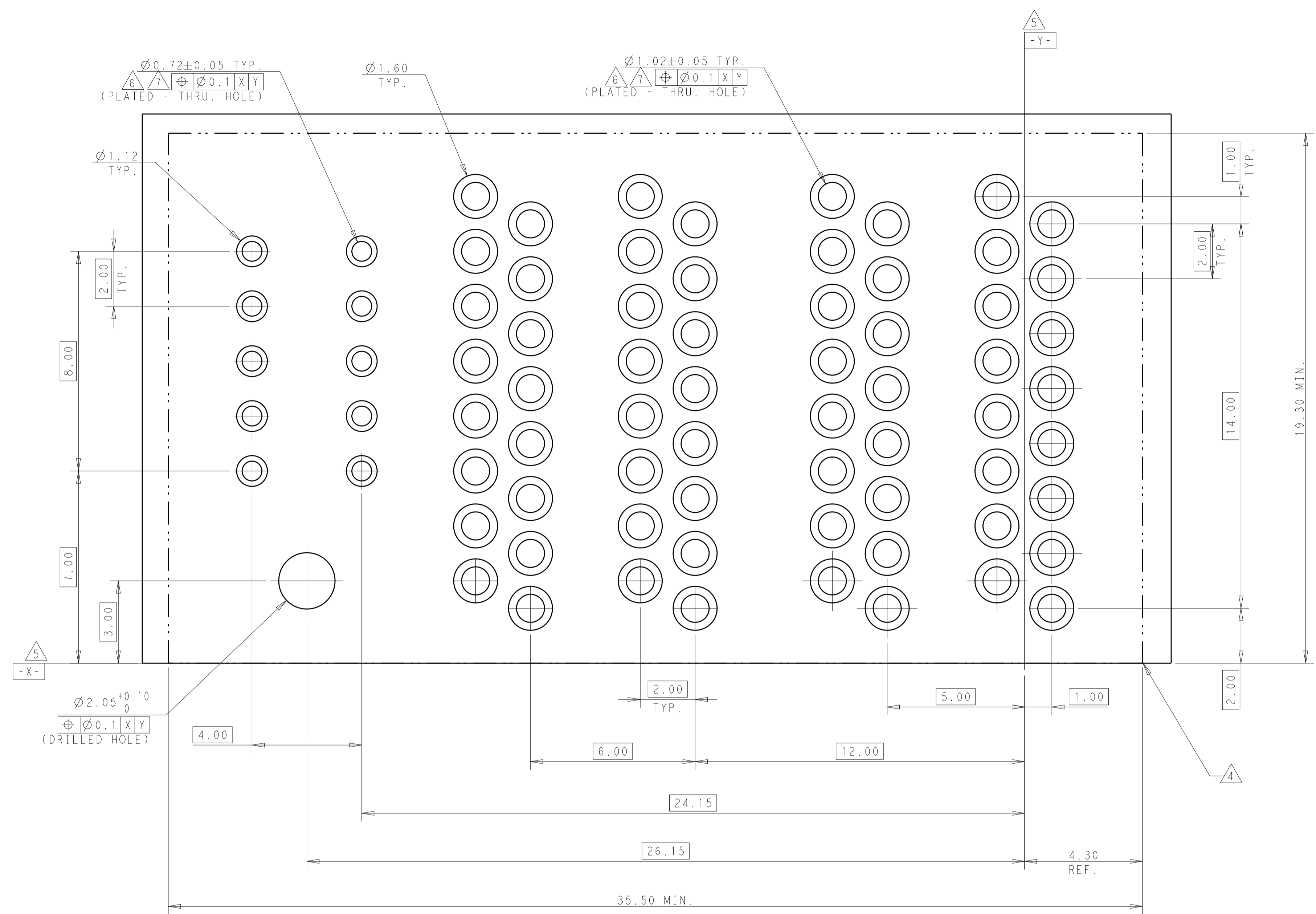


NOTES, UNLESS OTHERWISE SPECIFIED:
 1. "TE", PART NUMBER AND DATE CODE TO BE MARKED IN AREA SHOWN.
 2. MATERIAL:
 HOUSING - GLASS FILLED HIGH TEMP THERMO PLASTIC, COLOR: BLACK, UL94 V- 0.
 SIGNAL CONTACT - HIGH CONDUCTIVITY COPPER ALLOY.
 POWER CONTACT - HIGH CONDUCTIVITY COPPER ALLOY.
 3. CONTACT PLATING:
 MATING AREA - NOBLE METAL OVERALL NICKEL
 TAIL SIDE AREA - MATTE TIN OVERALL NICKEL.
 4. MECHANICAL CONNECTOR KEEP OUT ZONE.
 5. DATUM AND BASIC DIMENSIONS ESTABLISHED BY CUSTOMER.
 6. PCB - ALL HOLE DIAMETERS ARE FINISHED HOLE SIZES.
 7. PCB HOLE:
 POWER - 1.15±0.025 MM DRILLED HOLES SIZE PLATING WITH 0.0076 MM MIN.
 Sn OVER 0.025-0.076 MM Cu PLATING TO ACHIEVE A 1.02 MM DIA. HOLE.
 SIGNAL - 0.835±0.025 MM DRILLED HOLES SIZE PLATING WITH 0.0076 MM MIN.
 Sn OVER 0.025-0.076 MM Cu PLATING TO ACHIEVE A 0.72 MM DIA. HOLE.

22.50	28.15	26.15	-	-	6.00	28.70	33.90	4VP+20S	2204406-6
-	59.15	-	-	-	5.00	59.70	64.90	10S+1P+2P+2P+2P+2P	2204406-5
-	12.15	10.15	-	-	5.00	12.70	17.90	2P+15S	2204406-3
-	26.15	24.15	13.00	6.00	6.00	26.70	31.90	2VP+2VP+10S	2204406-1
DIM H.	DIM G.	DIM F.	DIM E.	DIM D.	DIM C.	DIM B.	DIM A.	DESCRIPTION	PART NUMBER

THIS DRAWING IS A CONTROLLED DOCUMENT.		DWN: THOMAS ZHAO 13NOV2014	TE Connectivity CUSTOMER DRAWING R/A REC. WITH SINGLE GUIDE MULTI-BEAM HD
DIMENSIONS: mm		CHK: SUNY ZHAO 13NOV2014	
TOLERANCES UNLESS OTHERWISE SPECIFIED:		APVD: SUNY ZHAO 13NOV2014	NAME: CUSTOMER DRAWING
0 PLC ±0.4 1 PLC ±0.4 2 PLC ±0.25 3 PLC ±0.15 4 PLC ±0.15		PRODUCT SPEC	SIZE: A1
MATERIAL: 2		FINISH: 3	SCALE: 4:1
CUSTOMER DRAWING		WEIGHT: -	SHEET 1 OF 4
		RESTRICTED TO	REV: A1

REVISIONS				
P.	LTN	DESCRIPTION	DATE	APVD
-	-	SEE SHEET 1	-	-



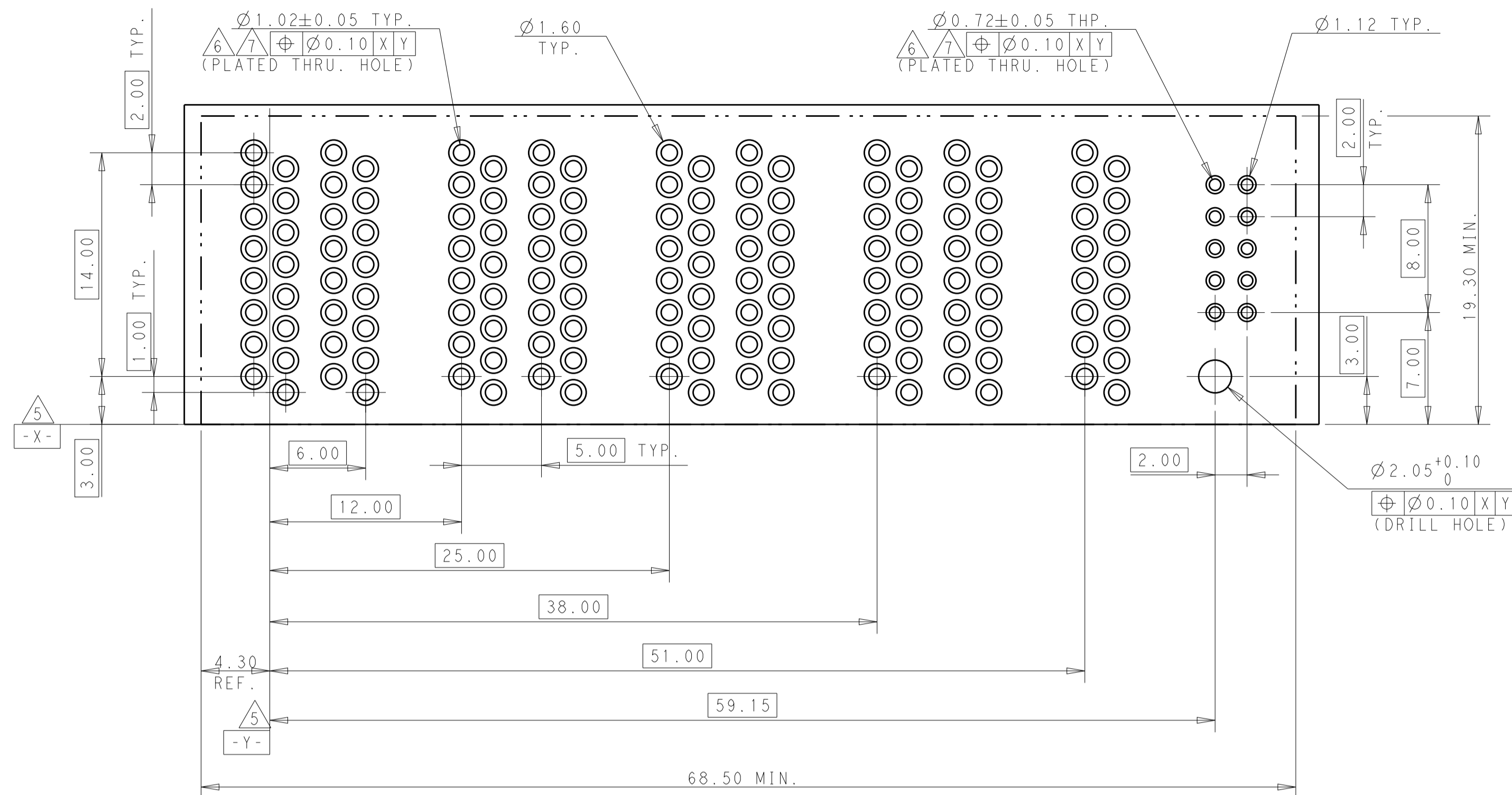
PART NUMBER	ROWS	SIGNAL		POWER			
		2	1	P4	P3	P2	P1
2204406-1	E	SRI	SRI	PR	PR	PR	PR
	D	SRI	SRI	PR	PR	PR	PR
	C	SRI	SRI	PR	PR	PR	PR
	B	SRI	SRI	PR	PR	PR	PR
	A	SRI	SRI	PR	PR	PR	PR

2VP+2VP+10S

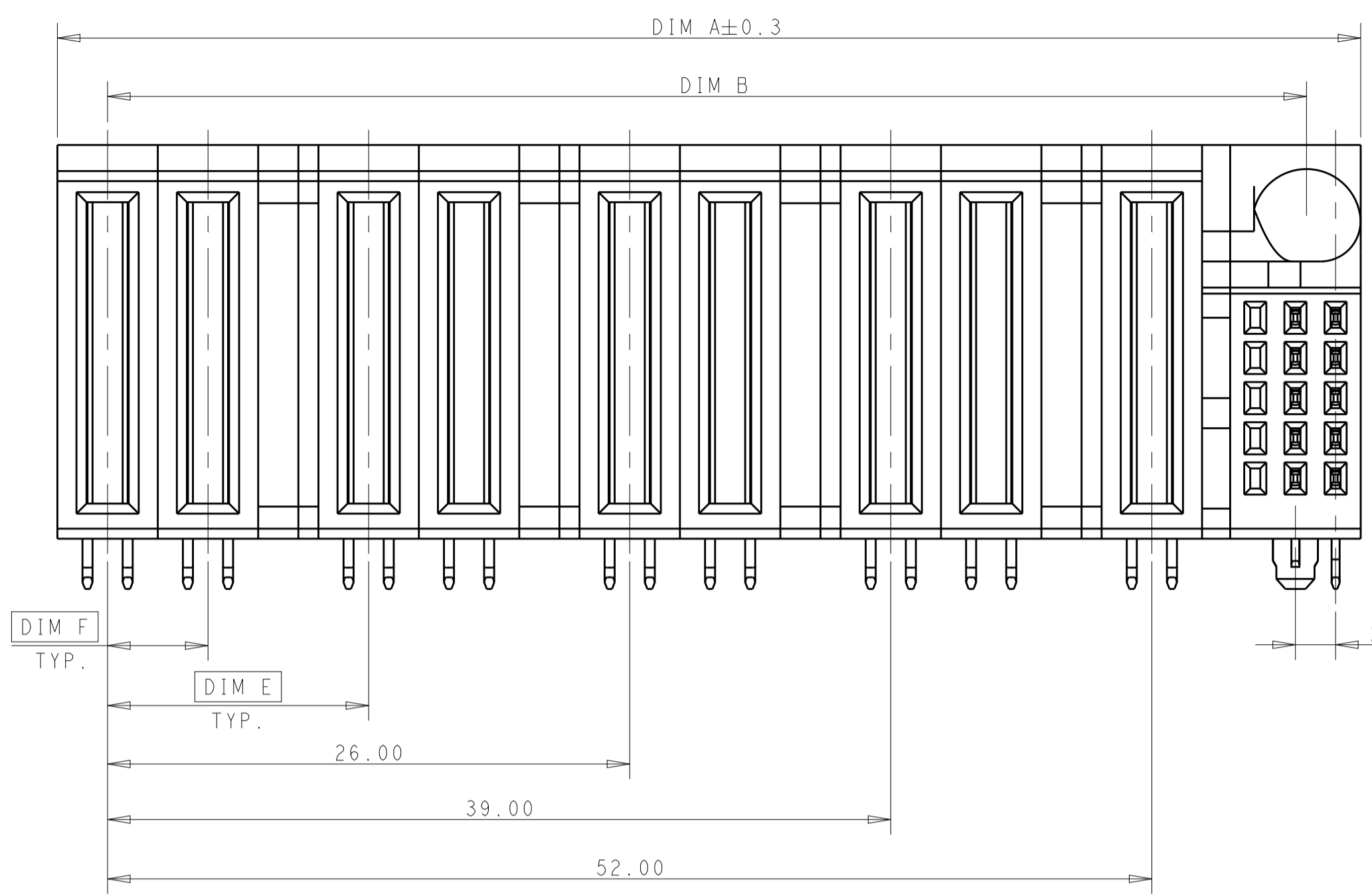
POWER CONTACT PRESS FIT	PR
SIGNAL CONTACT PRESS FIT	SR1
HP/SIGNAL WITH SINGAL GUIDE	HOUSING
DESCRIPTION	CODE

THIS DRAWING IS A CONTROLLED DOCUMENT.		DWN THOMAS_ZHAO 13NOV2014 CHK SUNY_ZHAO 13NOV2014 APVD SUNY_ZHAO 13NOV2014	TE Connectivity
DIMENSIONS: mm 	TOLERANCES UNLESS OTHERWISE SPECIFIED: 0 PLC ±0.4 1 PLC ±0.4 2 PLC ±0.75 3 PLC ±1.15 4 PLC ± ANGLES ±	NAME CUSTOMER DRAWING R/A REC. WITH SINGLE GUIDE MULTI-BEAM HD APPLICATION SPEC	
MATERIAL	FINISH	WEIGHT CUSTOMER DRAWING	SIZE A1 CAGE CODE DRAWING NO. C=2204406 RESTRICTED TO SCALE 4:1 SHEET 2 OF 4 REV A1

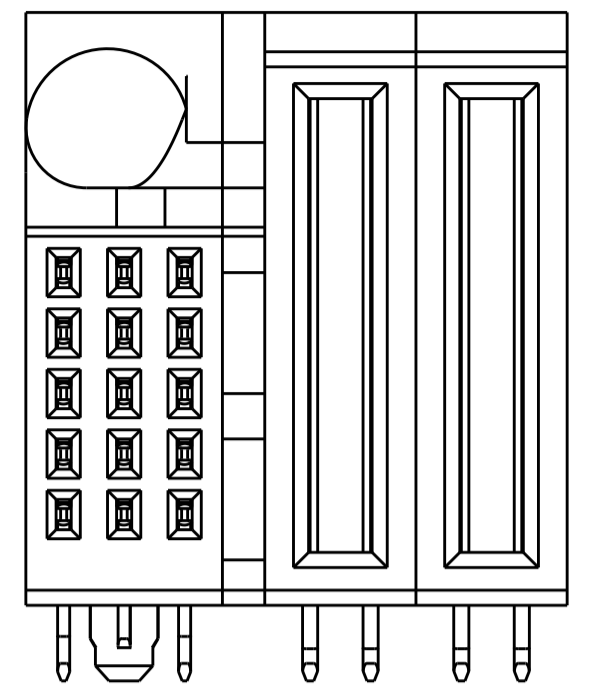
REVISIONS				
P.	LTN.	DESCRIPTION	DATE	APPV.
-	-	SEE SHEET 1	-	-



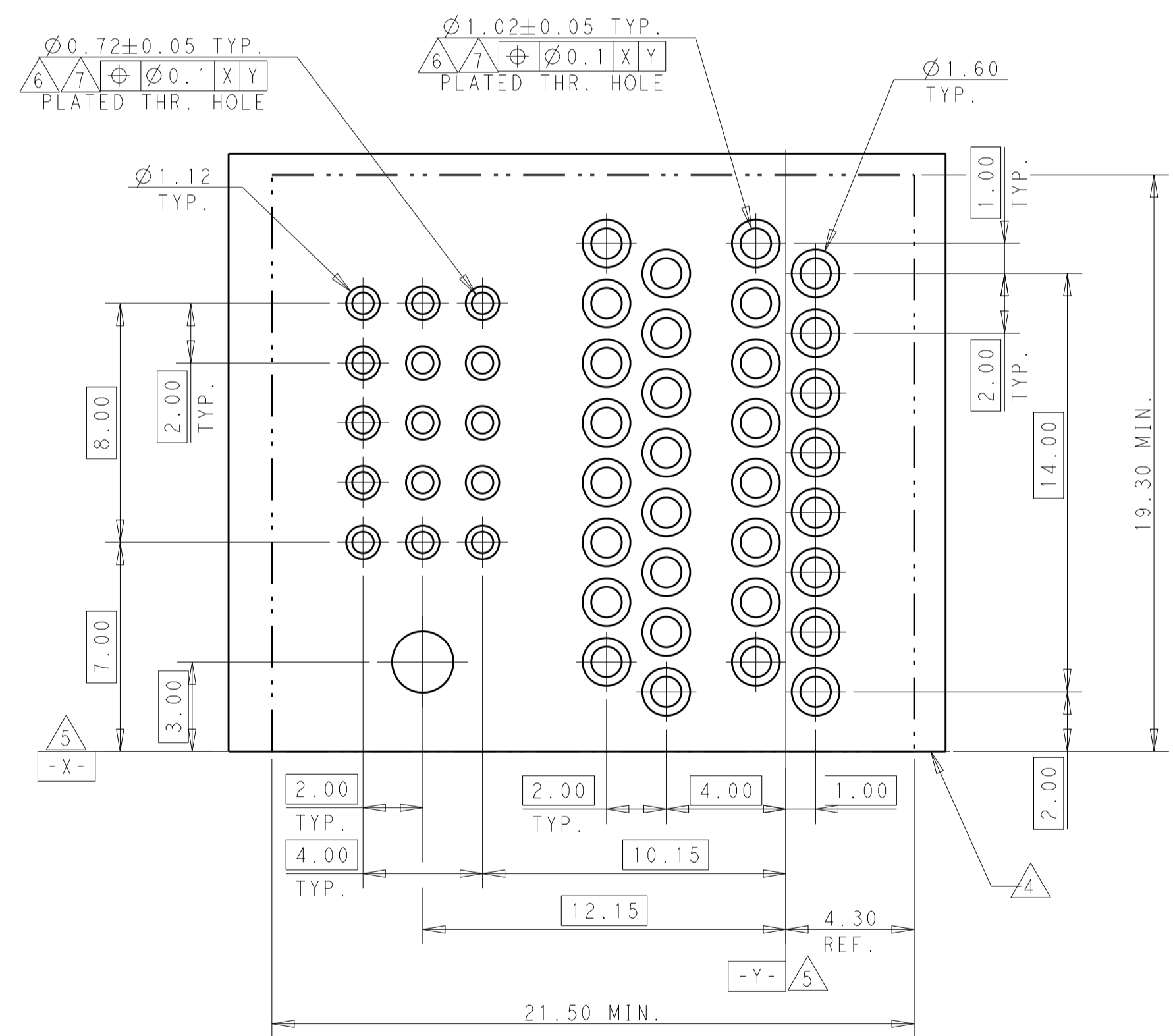
THE PCB LAYOUT OF PART NUMBER:2204406-5



PART NUMBER:2204406-5



PART NUMBER:2204406-3



THE PCB LAYOUT OF PART NUMBER:2204406-3

PART NUMBER	POWER									SIGNAL	
	P9	P8	P7	P6	P5	P4	P3	P2	P1	2	1
2204406-5	PR	PR	PR	PR	PR	PR	PR	PR	PR		
10S+1P+2P+2P+2P+2P											

PART NUMBER	ROWS	SIGNAL			POWER	
		3	2	1	P2	P1
2204406-3	E				PR	PR
	D					
	C					
	B					
	A					
2P+15S						

THIS DRAWING IS A CONTROLLED DOCUMENT. DWN THOMAS_ZHAO 13NOV2014
 CHK SUNY_ZHAO 13NOV2014
 APVD SUNY_ZHAO 13NOV2014

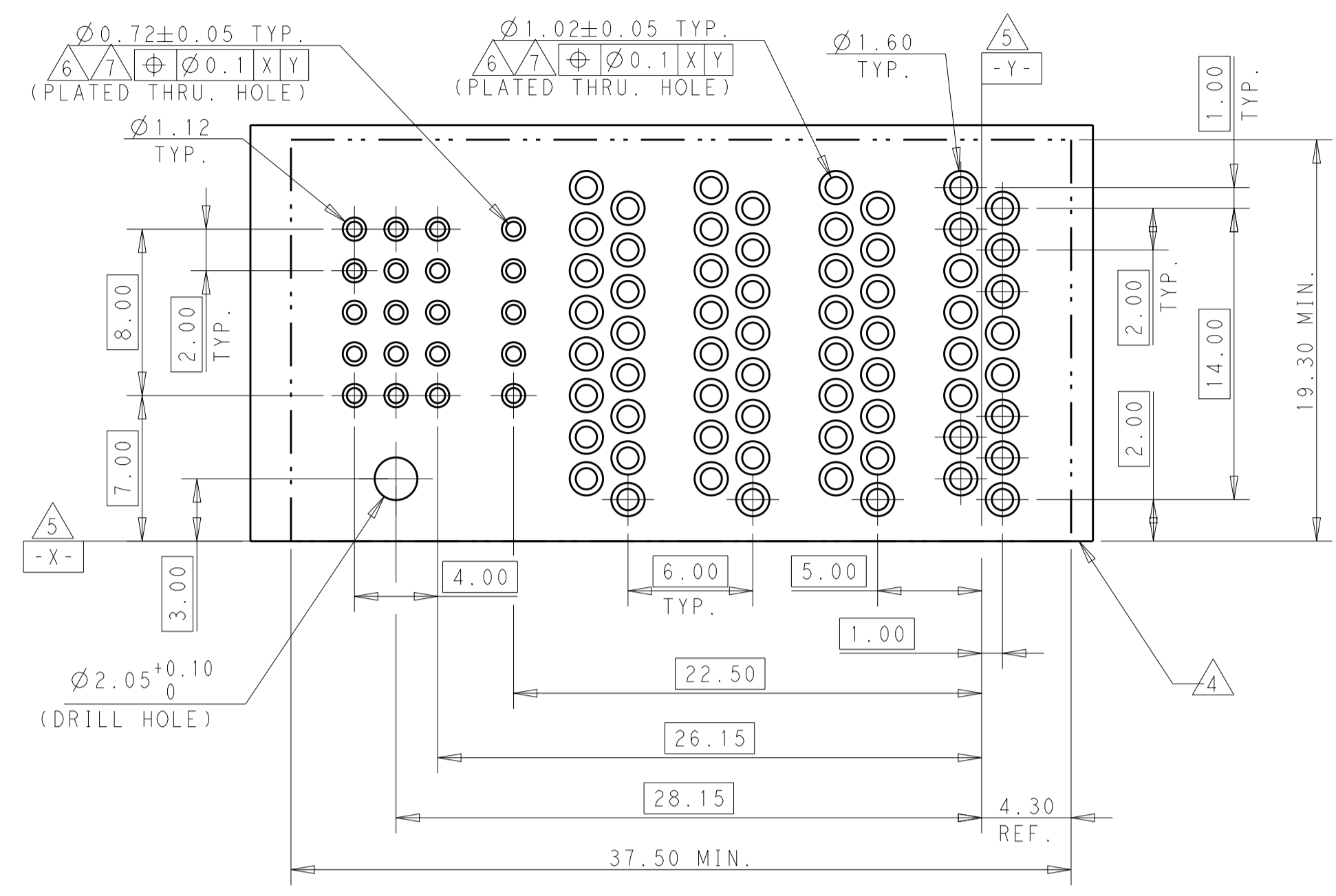
STE TE Connectivity

CUSTOMER DRAWING
 R/A REC. WITH SINGLE GUIDE
 MULTI-BEAM HD

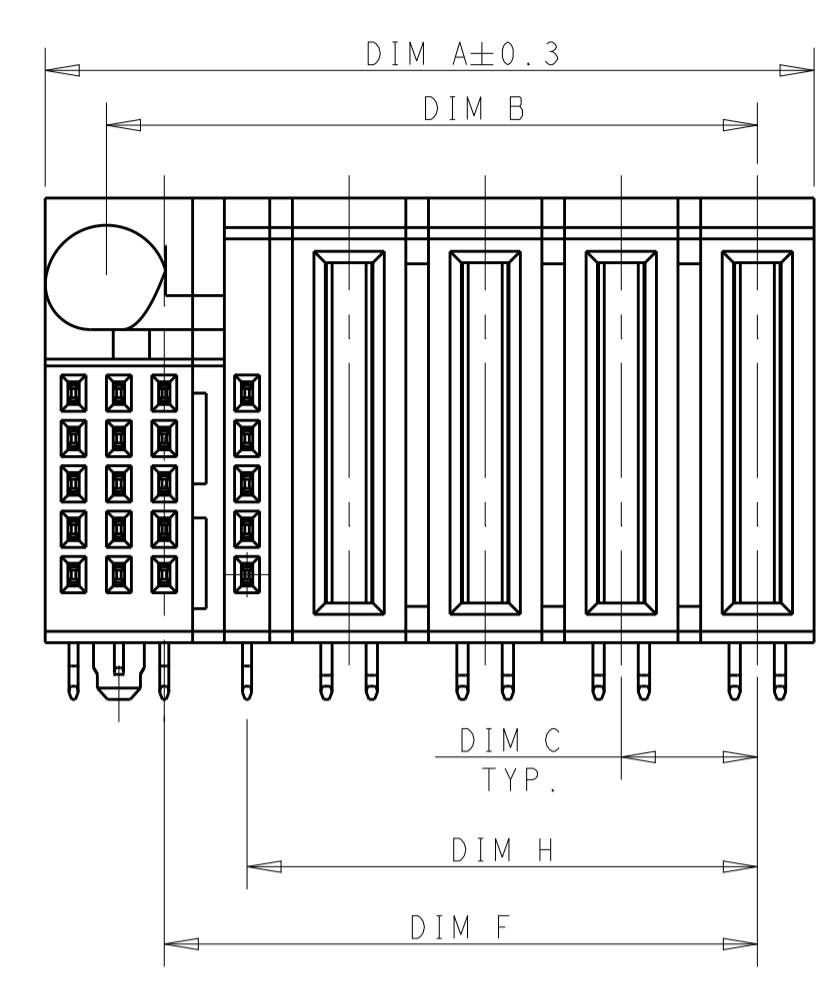
SIZE A1 CAGE CODE DRAWING NO. RESTRICTED TO
 WEIGHT - SCALE 4:1 SHEET 3 OF 4 REV A1

MATERIAL FINISH WEIGHT CUSTOMER DRAWING

REVISIONS				
P.	LTN.	DESCRIPTION	DATE	APVD.
-	-	SEE SHEET 1	-	-



PCB LAYOUT FOR PART NUMBER: 2204406-6



PART NUMBER	ROWS	SIGNAL				POWER			
		4	3	2	1	P4	P3	P2	P1
2204406-6	E	SR	SR	SR	SR	PR	PR	PR	PR
	D	SR	SR	SR	SR	PR	PR	PR	PR
	C	SR	SR	SR	SR	PR	PR	PR	PR
	B	SR	SR	SR	SR	PR	PR	PR	PR
	A	SR	SR	SR	SR	PR	PR	PR	PR

4VP+20S

THIS DRAWING IS A CONTROLLED DOCUMENT.		DWN THOMAS_ZHAO 13NOV2014 CHK SUNY_ZHAO 13NOV2014 APVD SUNY_ZHAO 13NOV2014	TE Connectivity
DIMENSIONS: mm 	TOLERANCES UNLESS OTHERWISE SPECIFIED: 0 PLC ± 1 PLC ±0.4 2 PLC ±0.25 3 PLC ±0.15 4 PLC ± ANGLES ±	NAME CUSTOMER DRAWING R/A REC. WITH SINGLE GUIDE MULTI-BEAM HD PRODUCT SPEC APPLICATION SPEC	
MATERIAL	FINISH	WEIGHT	CUSTOMER DRAWING SCALE 4:1 SHEET 4 OF 4 REV A1