



Chipsmall Limited consists of a professional team with an average of over 10 year of expertise in the distribution of electronic components. Based in Hongkong, we have already established firm and mutual-benefit business relationships with customers from,Europe,America and south Asia,supplying obsolete and hard-to-find components to meet their specific needs.

With the principle of “Quality Parts,Customers Priority,Honest Operation,and Considerate Service”,our business mainly focus on the distribution of electronic components. Line cards we deal with include Microchip,ALPS,ROHM,Xilinx,Pulse,ON,Everlight and Freescale. Main products comprise IC,Modules,Potentiometer,IC Socket,Relay,Connector.Our parts cover such applications as commercial,industrial, and automotives areas.

We are looking forward to setting up business relationship with you and hope to provide you with the best service and solution. Let us make a better world for our industry!



Contact us

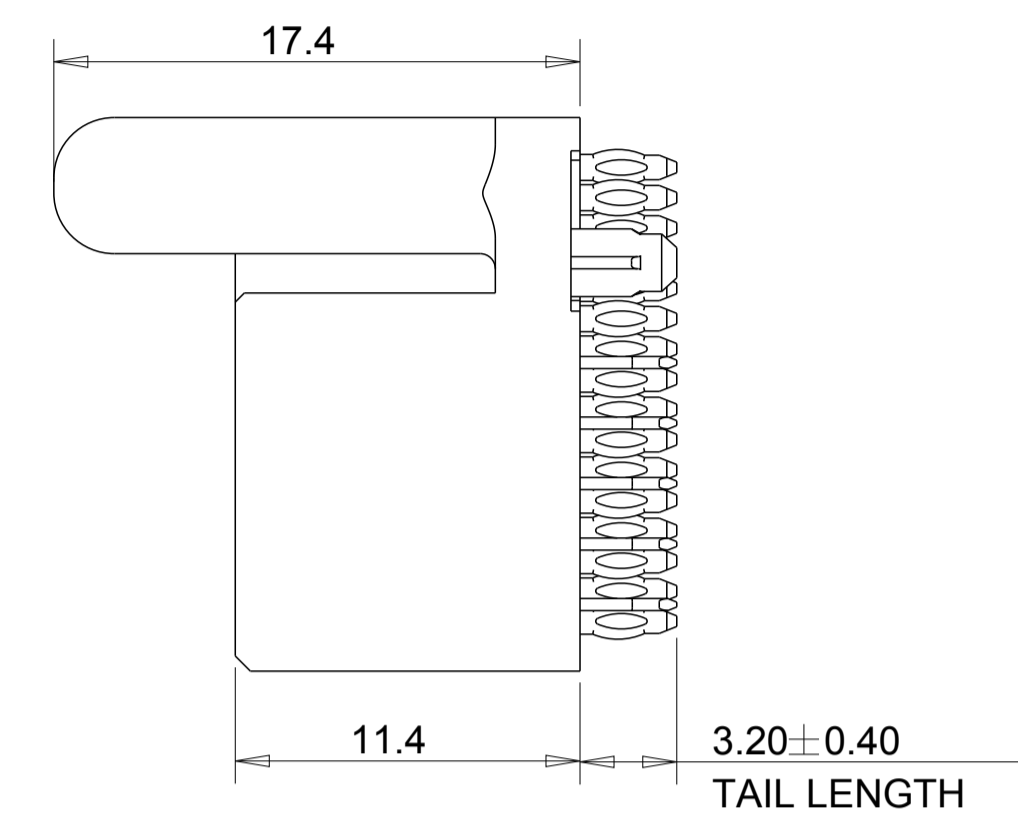
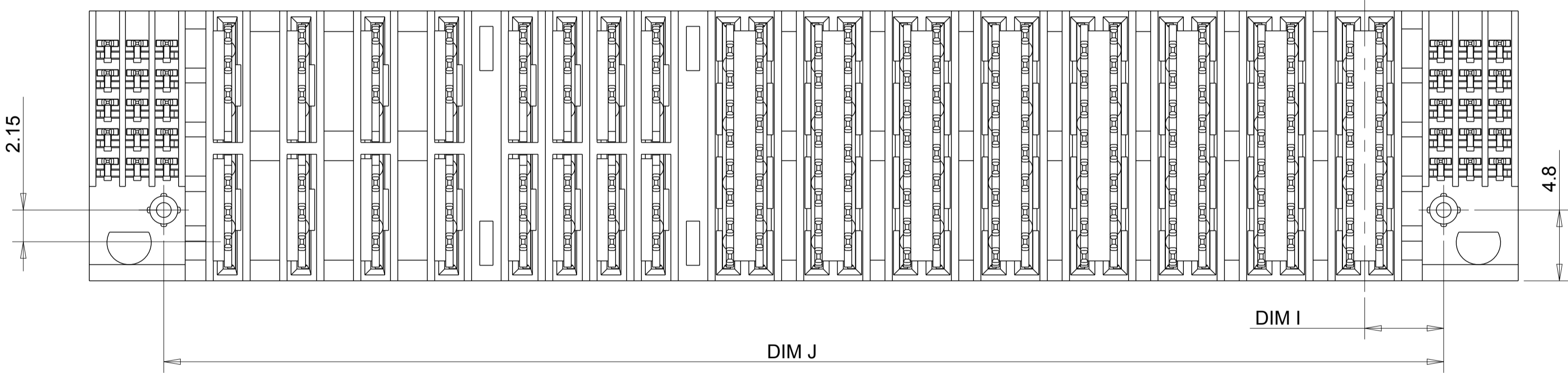
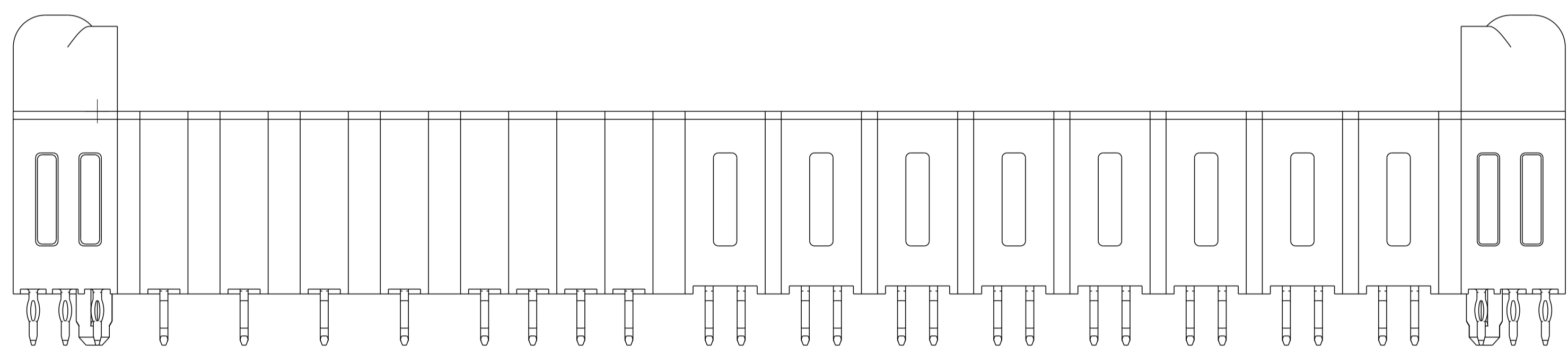
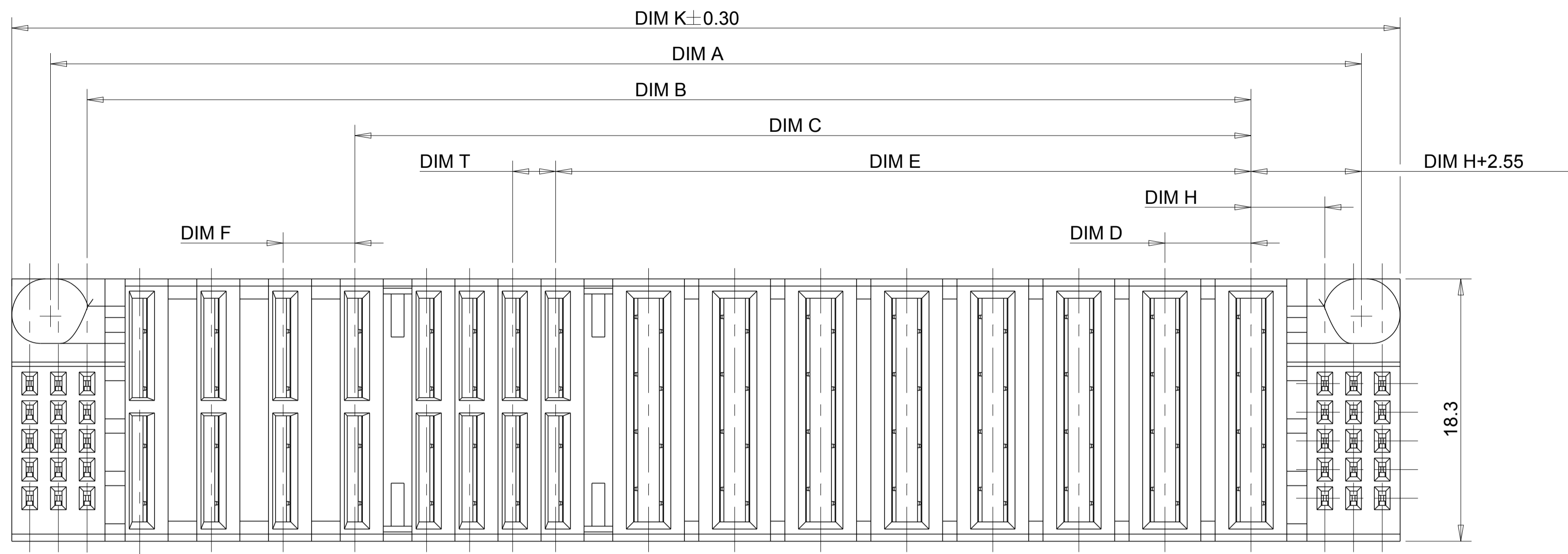
Tel: +86-755-8981 8866 Fax: +86-755-8427 6832

Email & Skype: info@chipsmall.com Web: www.chipsmall.com

Address: A1208, Overseas Decoration Building, #122 Zhenhua RD., Futian, Shenzhen, China

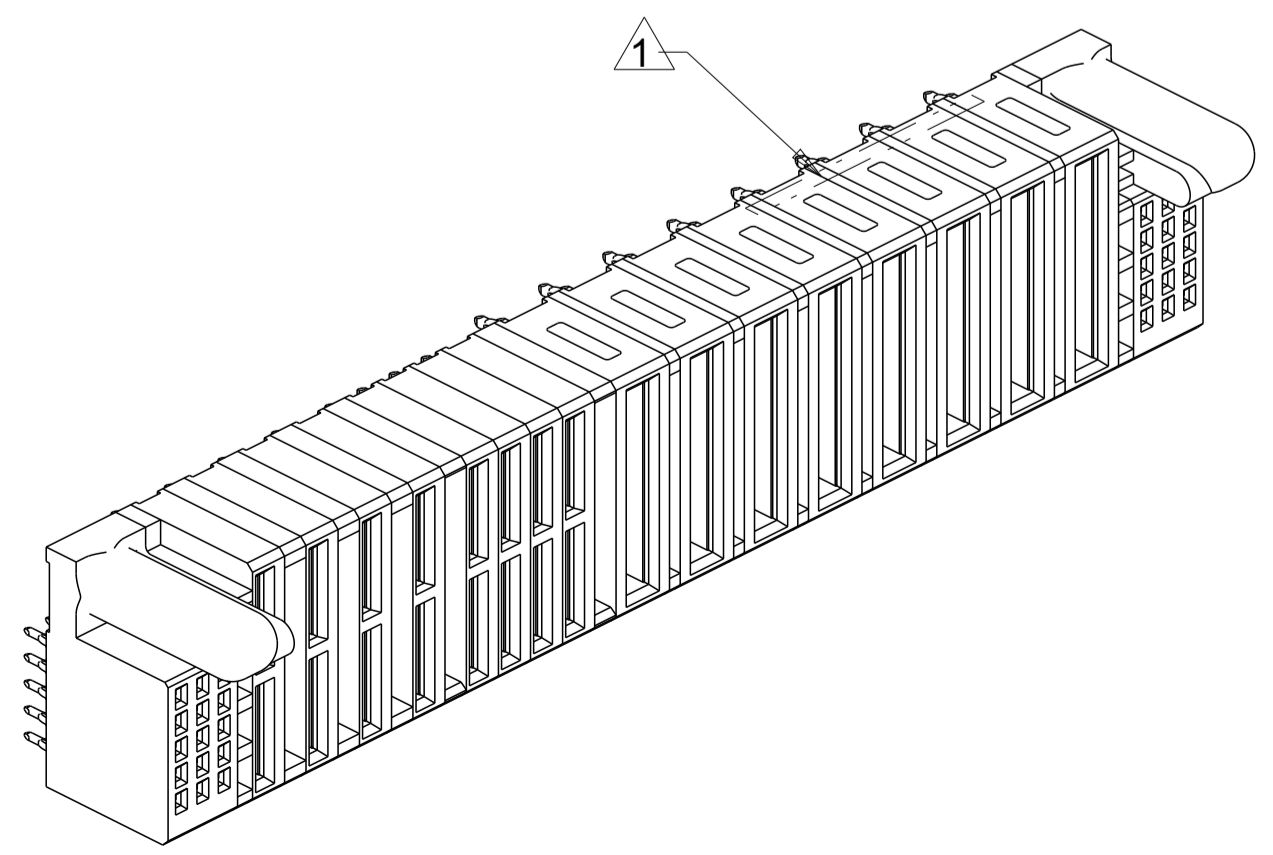


LOC		DIST		REVISIONS			
P	LTR	DESCRIPTION	DATE	DWN	APVD		
A1		ECR-16-012726	03NOV2016	TZ	SZ		
A2		ECR-16-017006	11JAN2017	TZ	SZ		



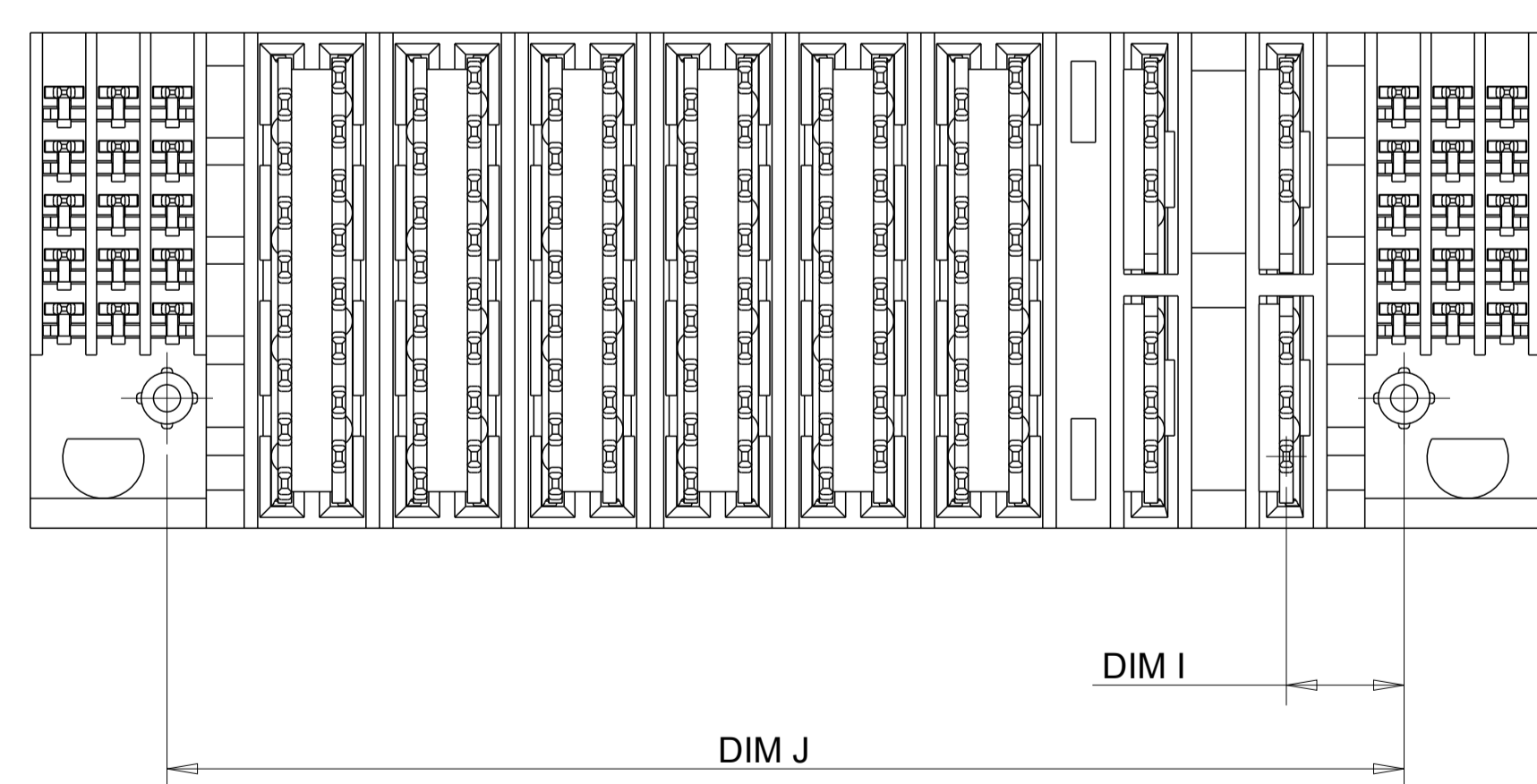
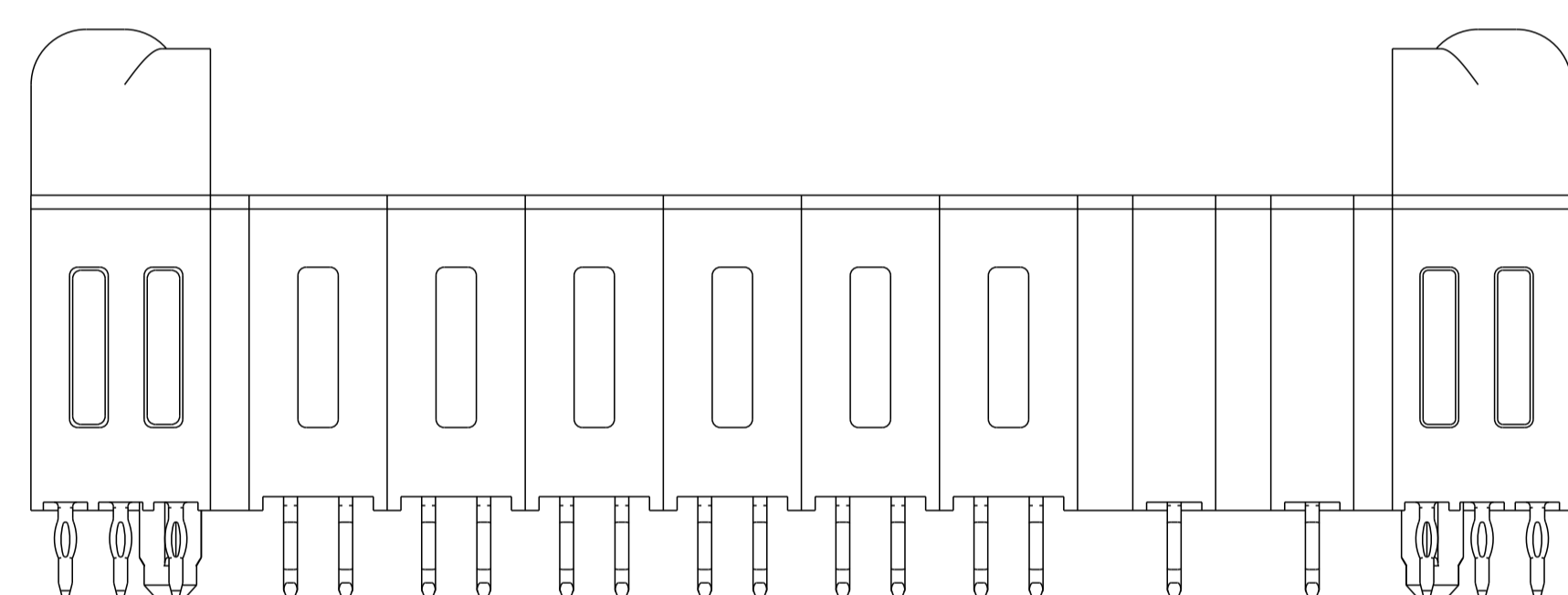
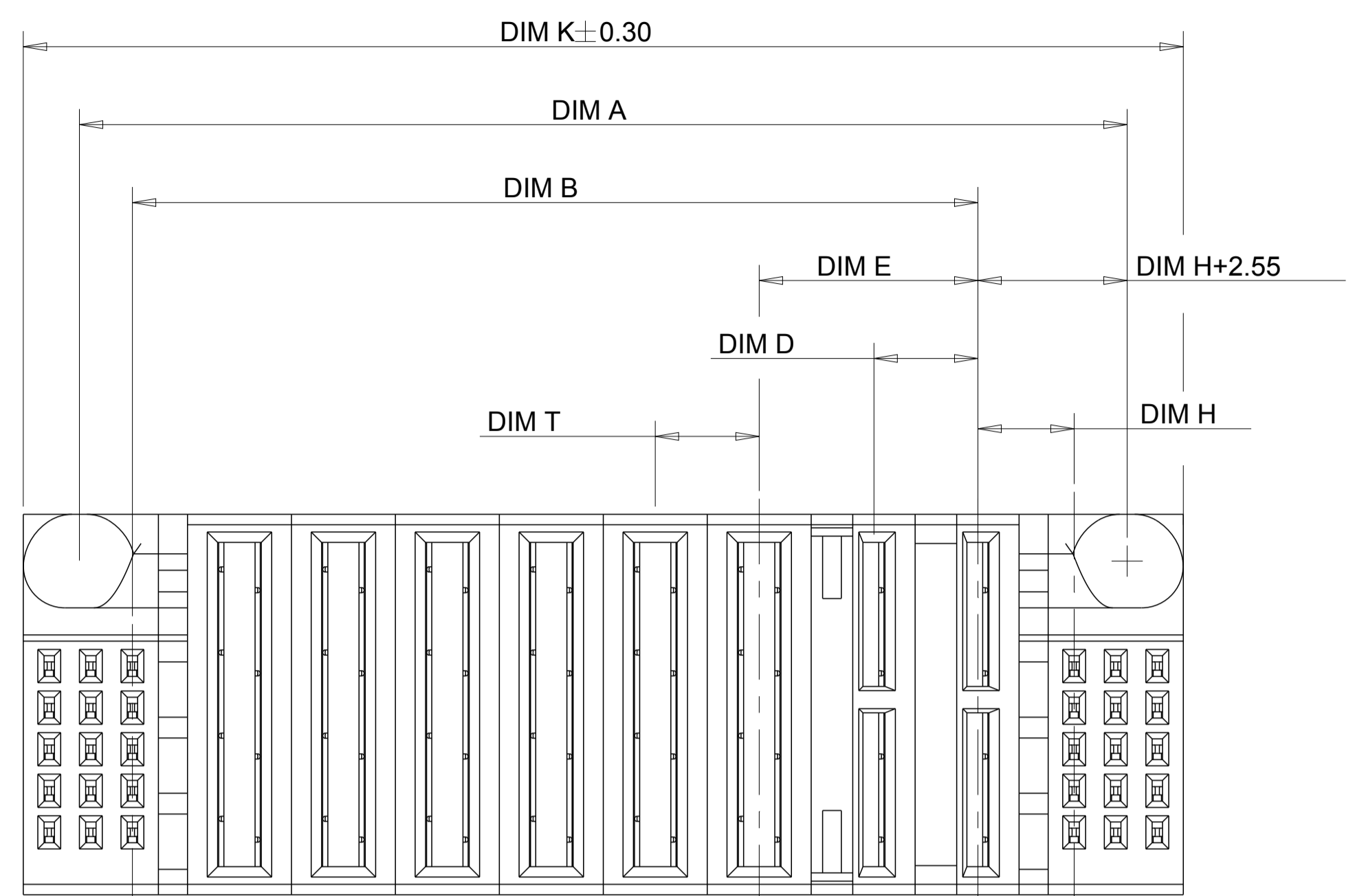
NOTES, UNLESS OTHERWISE SPECIFIED:

1. "TE", PART NUMBER AND DATE CODE TO BE MARKED IN AREA SHOWN.
2. MATERIAL:
 HOUSING - GLASS FILLED HIGH TEMP THERMO PLASTIC,
 COLOR: BLACK, UL94 V-0.
 SIGNAL CONTACT - HIGH CONDUCTIVITY COPPER ALLOY.
 POWER CONTACT - HIGH CONDUCTIVITY COPPER ALLOY.
3. CONTACT PLATING:
 MATING AREA - NOBLE METAL OVERALL NICKEL
 TAIL SIDE AREA - MATTE TIN OVERALL NICKEL.
4. MECHANICAL CONNECTOR KEEP OUT ZONE.
5. DATUM AND BASIC DIMENSIONS ESTABLISHED BY CUSTOMER.
6. PCB - ALL HOLE DIAMETERS ARE FINISHED HOLE SIZES.
7. PCB HOLE:
 POWER - 1.15 ± 0.025 MM DRILLED HOLES SIZE PLATING WITH 0.0076 MM MIN.
 Sn OVER 0.025~0.076 MM Cu PLATING TO ACHIEVE A 1.02 MM DIA. HOLE.
 SIGNAL - 0.835 ± 0.025 MM DRILLED HOLES SIZE PLATING WITH 0.0076 MM MIN.
 Sn OVER 0.025~0.076 MM Cu PLATING TO ACHIEVE A 0.72 MM DIA. HOLE.
8. CONFIGURATION "S+LP+P+S" REFER TO SHEET 2



THIS DRAWING IS A CONTROLLED DOCUMENT.		DWN: THOMAS ZHAO 20AUG2013	
DIMENSIONS: mm		CHK: SUNY ZHAO 20AUG2013	
TOLERANCES UNLESS OTHERWISE SPECIFIED:		APVD: SUNY ZHAO 20AUG2013	NAME: CUSTOMER DRAWING PRESS FIT VERTICAL RECEPTACLE S+P+LP+S MULTI-BEAM HD CONNECTOR
0 PLC	±	PRODUCT SPEC	
1 PLC	±0.4	APPLICATION SPEC	
2 PLC	±0.25	SIZE: A1	CAGE CODE: 00779
3 PLC	±0.15	DRAWING NO: C=2204422	RESTRICTED TO: -
4 PLC	±	SCALE: 4:1	SHEET 1 OF 6
ANGLES	±	REV: A2	
MATERIAL: 2	FINISH: 3	CUSTOMER DRAWING	

LOC		DIST		REVISIONS			
P	LTR	DESCRIPTION	DATE	DWN	APVD		
-		SEE SHEET 1	-	-	-		

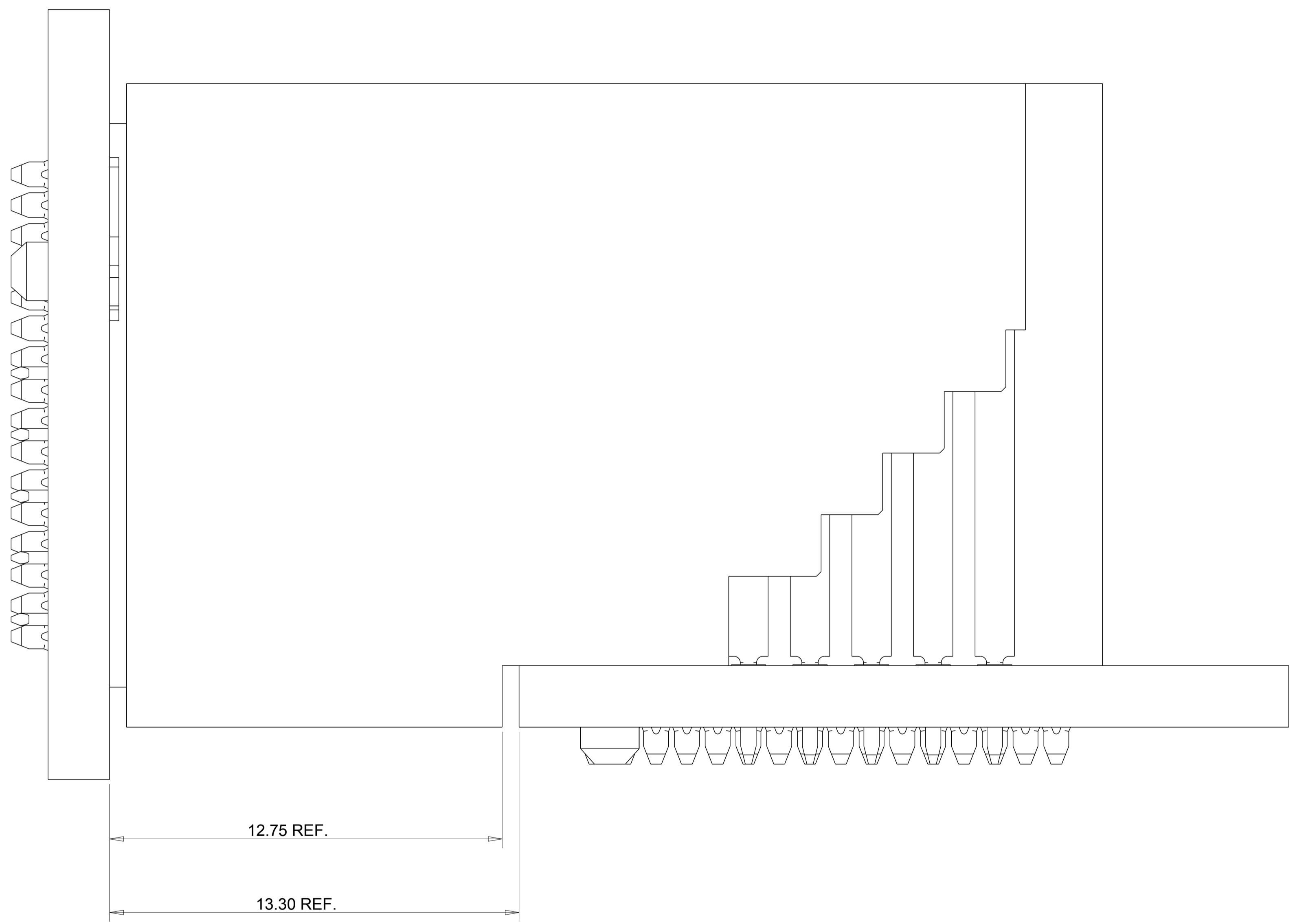


CONFIGURATION FOR "S+VLP+P+S"

THIS DRAWING IS A CONTROLLED DOCUMENT.		DWN: THOMAS ZHAO 20AUG2013	
DIMENSIONS:		CHK: SUNY ZHAO 20AUG2013	
min	TOLERANCES UNLESS OTHERWISE SPECIFIED:	APVD: SUNY ZHAO 20AUG2013	NAME: CUSTOMER DRAWING PRESS FIT VERTICAL RECEPTACLE S+P+LP+S MULTI-BEAM HD CONNECTOR
	0 PLC ± 1 PLC ±0.4 2 PLC ±0.25 3 PLC ±0.15 4 PLC ± ANGLES ±	PRODUCT SPEC: -	RESTRICTED TO: -
MATERIAL: -	FINISH: -	APPLICATION SPEC: -	SIZE: A1
		WEIGHT: -	CAGE CODE: 00779
		CUSTOMER DRAWING	DRAWING NO: 2204422
			SCALE: 4:1
			SHEET 2 OF 6
			REV A2

THIS DRAWING IS UNPUBLISHED
 RELEASED FOR PUBLICATION
 20
 © COPYRIGHT 20
 ALL RIGHTS RESERVED

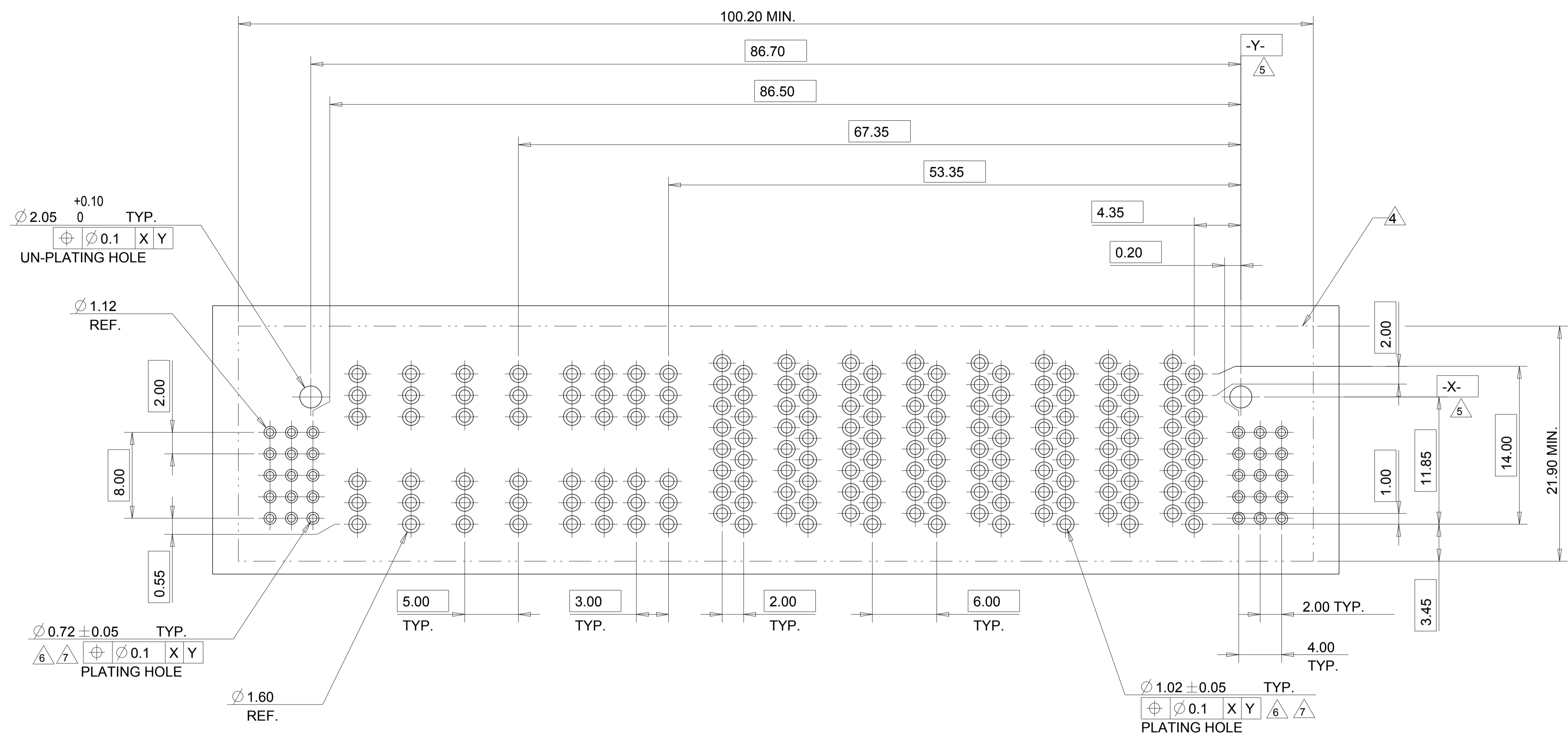
LOC		DIST		REVISIONS			
P	LTR	DESCRIPTION	DATE	DWN	APVD		
-	-	SEE SHEET 1	-	-	-		



THE DISTANCE IS 0.05 MM MATING FACE FROM R/A PLUG TO VERTICAL RECETPACLE.

THIS DRAWING IS A CONTROLLED DOCUMENT.		DWN THOMAS ZHAO 20AUG2013											
DIMENSIONS: mm		CHK SUNY ZHAO 20AUG2013											
TOLERANCES UNLESS OTHERWISE SPECIFIED:		APVD SUNY ZHAO 20AUG2013	NAME CUSTOMER DRAWING PRESS FIT VERTICAL RECEPTACLE S+P+LP+S MULTI-BEAM HD CONNECTOR										
<table border="1"> <tr><td>0 PLC</td><td>±</td></tr> <tr><td>1 PLC</td><td>±0.4</td></tr> <tr><td>2 PLC</td><td>±0.25</td></tr> <tr><td>3 PLC</td><td>±0.15</td></tr> <tr><td>4 PLC</td><td>±</td></tr> </table>		0 PLC	±	1 PLC	±0.4	2 PLC	±0.25	3 PLC	±0.15	4 PLC	±	PRODUCT SPEC -	RESTRICTED TO -
0 PLC	±												
1 PLC	±0.4												
2 PLC	±0.25												
3 PLC	±0.15												
4 PLC	±												
MATERIAL: -		APPLICATION SPEC -	SIZE: A1										
FINISH: -		WEIGHT: -	CAGE CODE: 00779										
CUSTOMER DRAWING		DRAWING NO: 2204422	SCALE: 4:1										
			SHEET 3 OF 6										
			REV A2										

LOC	DIST	REVISIONS			
P	LTR	DESCRIPTION	DATE	DWN	APVD
-	-	SEE SHEET 1	-	-	-



PART NUMBER	ROWS	SIGNAL			POWER														SIGNAL				
		6	5	4	LP8	LP7	LP6	LP5	LP4	LP3	LP2	LP1	P8	P7	P6	P5	P4	P3	P2	P1	3	2	1
2204422-1	E	SM1	SM1	SM1	LM1	LM1	LM1	LM1	LM1	LM1	LM1	LM1	PM	PM	PM	PM	PM	PM	PM	PM	SM1	SM1	SM1
	D	SM1	SM1	SM1																	SM1	SM1	SM1
	C	SM1	SM1	SM1	LM2	LM2	LM2	LM2	LM2	LM2	LM2	LM2									SM1	SM1	SM1
	B	SM1	SM1	SM1																	SM1	SM1	SM1
	A	SM1	SM1	SM1																	SM1	SM1	SM1

15S + 8VP + 8LP + 8VLP + 15S

A2 VIEW REFER *-2
 VIEW REFER *-2
 VIEW REFER *-2

DIM A	DIM B	DIM C	DIM E	DIM D	DIM F	DIM T	DIM H	DIM I	DIM J	DIM K	DESCRIPTION	PART NUMBER
45.40	35.67	/	5.52	/	/	5.00	4.63	4.35	40.70	50.80	15S+2LP+4P+15S	2204422-6
45.40	35.67	/	/	/	/	/	4.63	/	40.70	50.80	15S+15S	2204422-5
45.40	35.67	/	5.52	/	/	5.00	4.63	4.35	40.70	50.80	15S+2LP+6P+15S	2204422-4
45.40	35.15	/	31.48	5.00	/	/	5.15	5.35	40.70	50.80	15S+6P+2LP+15S	2204422-3
50.40	40.67	/	10.52	5.00	/	5.00	4.63	4.35	45.70	55.80	15S+4VLP+6P+15S	2204422-2
91.40	81.15	62.48	48.48	6.00	5.00	3.00	5.15	5.35	86.70	96.80	15S+8VP+8LP+8VLP+15S	2204422-1

SIGNAL CONTACT PRESS FIT	SM1
LP TOP CONTACT MFBL PRESS FIT	LM1
LP BOTTOM CONTACT MFBL PRESS FIT	LM2
POWER CONTACT MFBL PRESS FIT	PM
DESCRIPTION	IDENTIFIER

THIS DRAWING IS A CONTROLLED DOCUMENT.

DIMENSIONS: mm

TOLERANCES UNLESS OTHERWISE SPECIFIED:

0 PLC	±	0.4
1 PLC	±	0.25
2 PLC	±	0.15
3 PLC	±	0.1
4 PLC	±	0.05

FINISH: ANGLES

MATERIAL: .

DATE: 20AUG2013

DWN: THOMAS ZHAO

CHK: SUNY ZHAO

APVD: SUNY ZHAO

PRODUCT SPEC: .

APPLICATION SPEC: .

WEIGHT: .

CUSTOMER DRAWING

SCALE: 4:1

SHEET: 4 OF 6

REV: A2

TE Connectivity

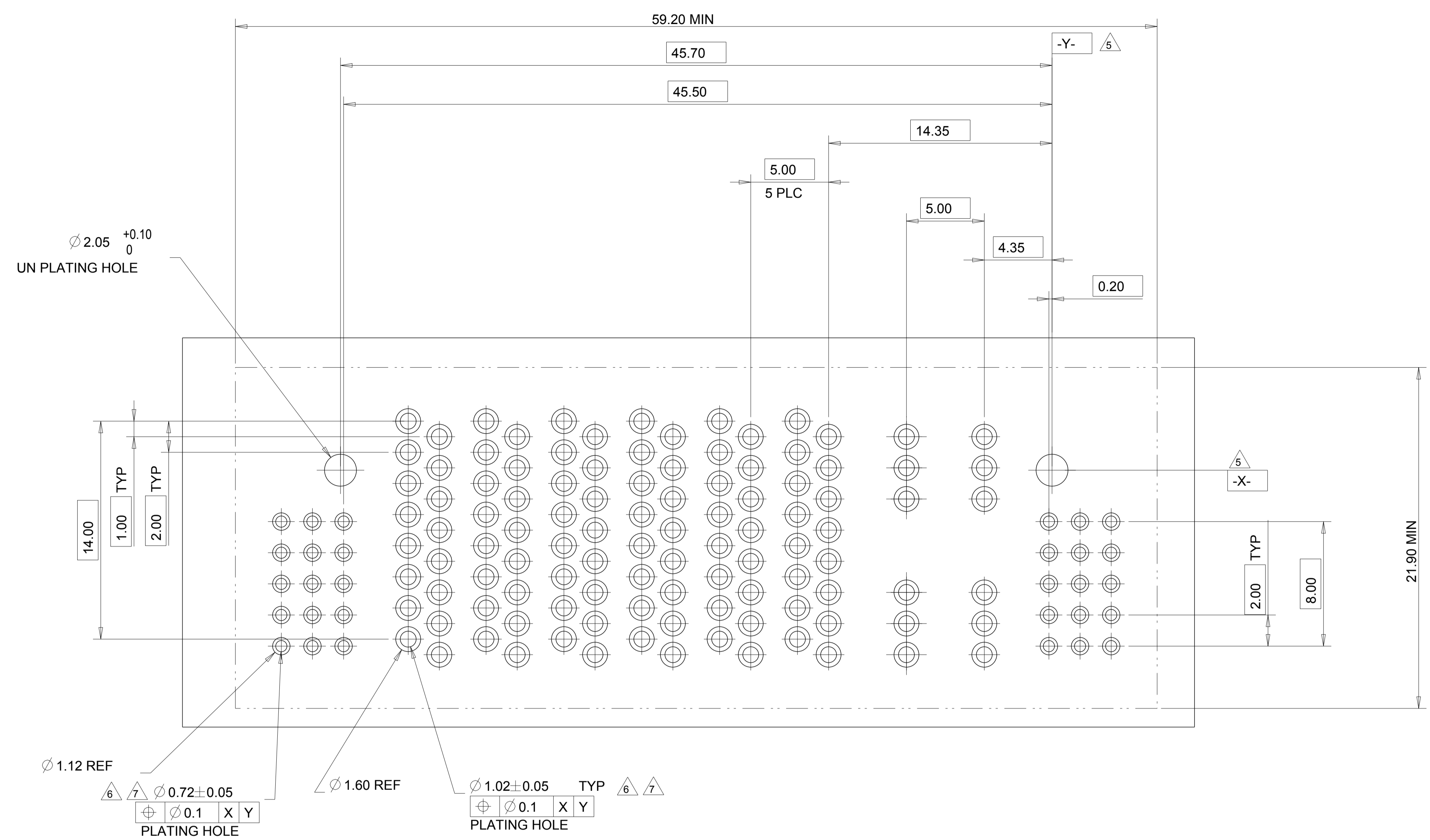
CUSTOMER DRAWING PRESS FIT VERTICAL RECEPTACLE S+P+LP+S MULTI-BEAM HD CONNECTOR

SIZE: A1

CAGE CODE: 00779

DRAWING NO: 2204422

LOC	DIST	REVISIONS			
P	LTR	DESCRIPTION	DATE	DWN	APPD
-	-	SEE SHEET 1	-	-	-



PART NUMBER	ROWS	SIGNAL			POWER						SIGNAL												
		6	5	4	P6	P5	P4	P3	P2	P1	LP2	LP1	3	2	1								
2204422-2	E	SM	SM	SM	PM	PM	PM	PM	PM	PM	LM1	LM1	SM	SM	SM								
	D	SM	SM	SM									SM	SM	SM	SM	SM	SM	SM	SM			
	C	SM	SM	SM									SM	SM	SM	SM	SM	SM	LM2	LM2	SM	SM	SM
	B	SM	SM	SM									SM	SM	SM	SM	SM	SM	SM	SM	SM	SM	SM
	A	SM	SM	SM									SM	SM	SM	SM	SM	SM	SM	SM	SM	SM	SM

15S+4VLP+6P+15S

THIS DRAWING IS A CONTROLLED DOCUMENT.

DWN: THOMAS ZHAO 20AUG2013
 CHK: SUNY ZHAO 20AUG2013
 APD: SUNY ZHAO 20AUG2013

NAME: CUSTOMER DRAWING PRESS FIT VERTICAL RECEPTACLE S+P+LP+S MULTI-BEAM HD CONNECTOR

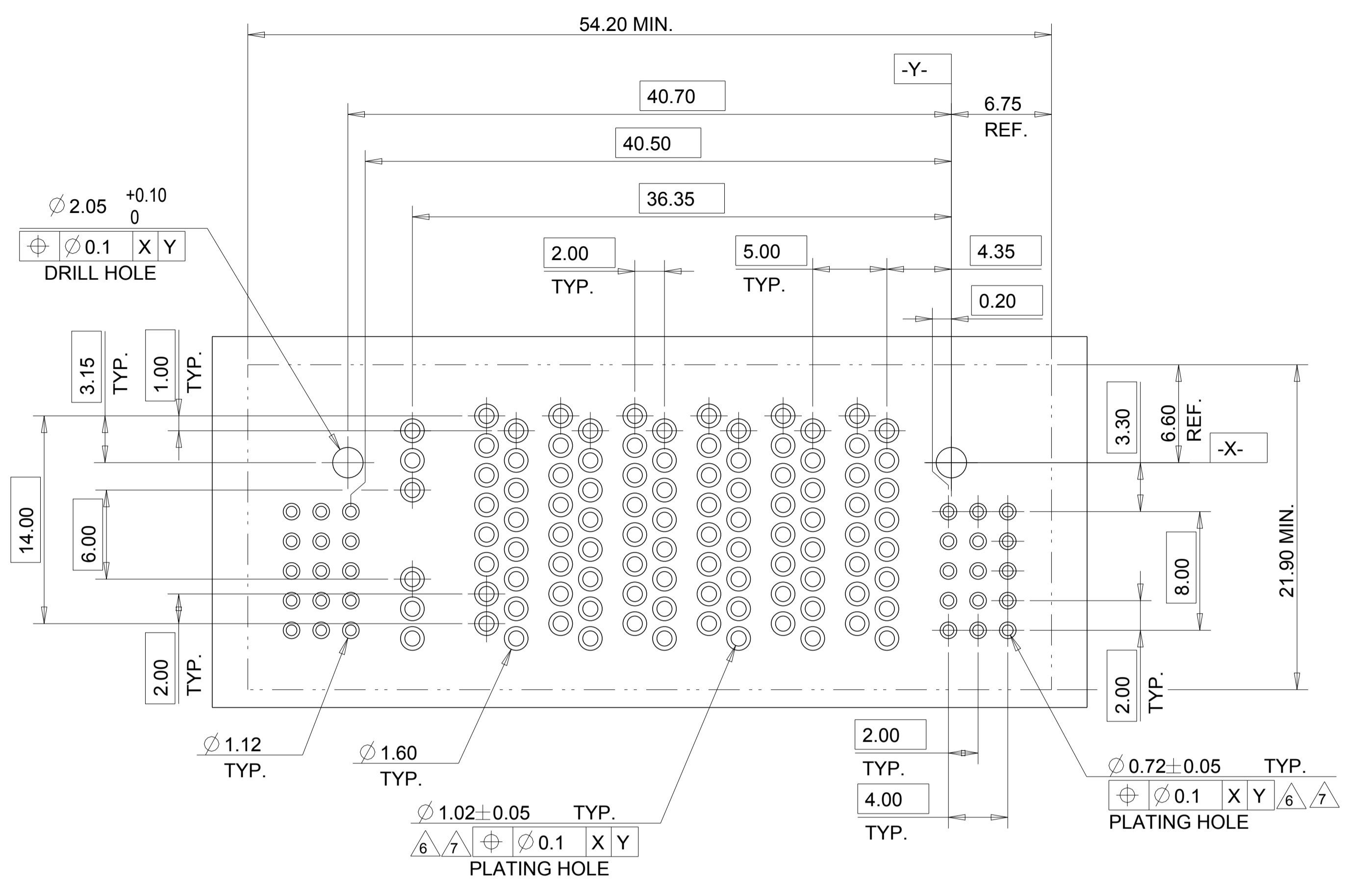
SIZE: A1 00779 CAGE CODE: 2204422 DRAWING NO: 2204422

SCALE: 4:1 SHEET 5 OF 6 REV A2

MATERIAL: - FINISH: - WEIGHT: - RESTRICTED TO: -

CUSTOMER DRAWING

LOC		DIST		REVISIONS			
P	LTR	DESCRIPTION		DATE	DWN	APVD	
-	-	SEE SHEET 1		-	-	-	



PART NUMBER	ROWS	SIGNAL				POWER						SIGNAL			
		6	5	4		LPI	P6	P5	P4	P3	P2	P1	3	2	1
2204422-3	E	SM	SM	SM	SM								SM	SM	SM
	D	SM	SM	SM	SM	PM	PM	PM	PM	PM	PM	SM	SM	SM	
	C	SM	SM	SM	SM							SM	SM	SM	
	B	SM	SM	SM	SM							SM	SM	SM	
	A	SM	SM	SM	SM							SM	SM	SM	

15S+6P+2LP+15S

PART NUMBER	ROWS	SIGNAL				POWER						SIGNAL		
		6	5	4		P6	P5	P4	P3	P2	P1	LPI	3	2
2204422-4	E	SM	SM	SM	SM									
	D	SM	SM	SM	SM	PM	PM	PM	PM	PM	PM			
	C	SM	SM	SM	SM									
	B	SM	SM	SM	SM									
	A	SM	SM	SM	SM									

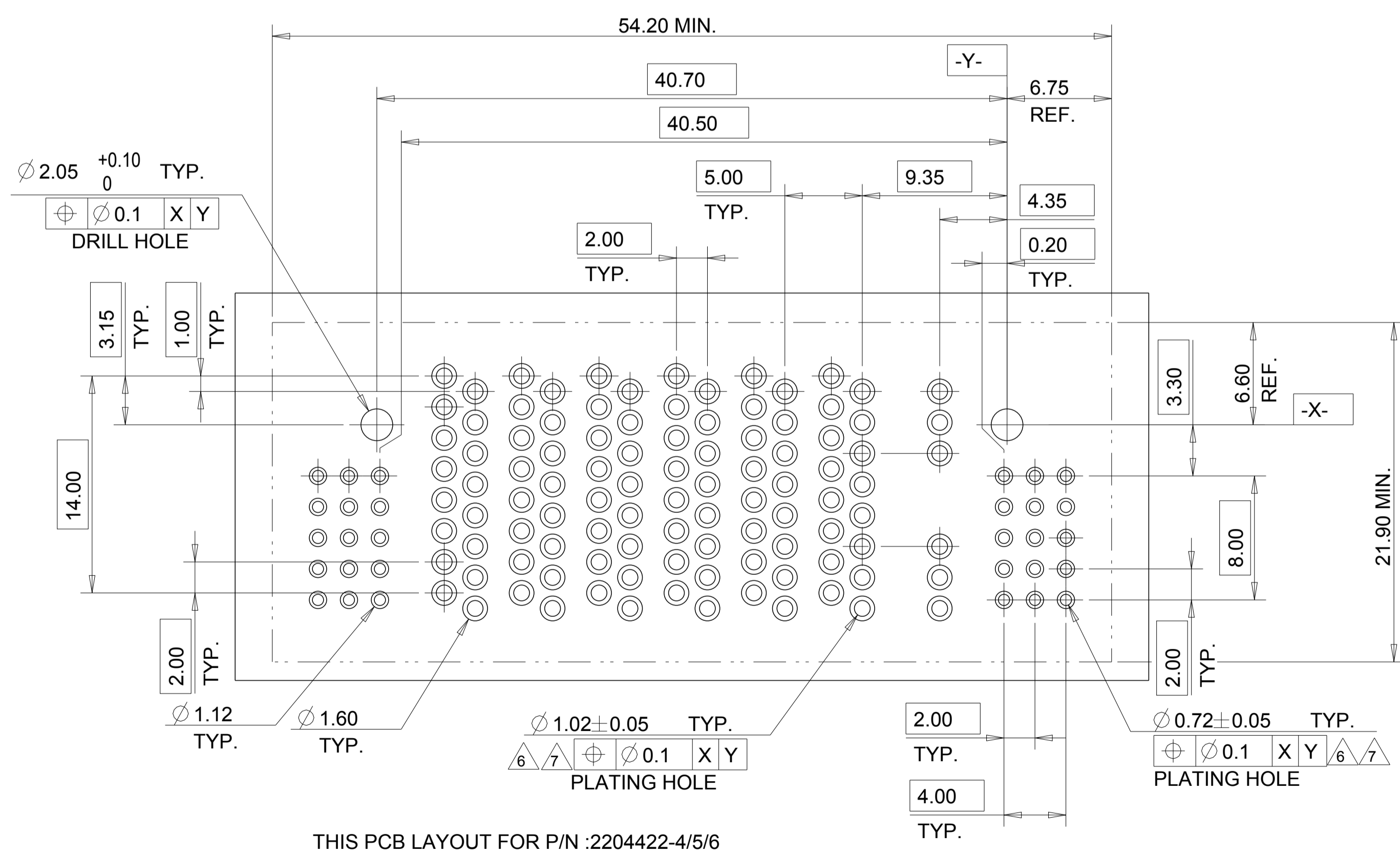
15S+2LP+6P+15S

PART NUMBER	ROWS	SIGNAL				POWER						SIGNAL		
		6	5	4								3	2	1
2204422-5	E	SM	SM	SM	SM							SM	SM	SM
	D	SM	SM	SM	SM							SM	SM	SM
	C	SM	SM	SM	SM							SM	SM	SM
	B	SM	SM	SM	SM							SM	SM	SM
	A	SM	SM	SM	SM							SM	SM	SM

15S+15S

PART NUMBER	ROWS	SIGNAL				POWER						SIGNAL		
		6	5	4		P6	P5	P4	P3	P2	P1	LPI	3	2
2204422-6	E	SM	SM	SM	SM									
	D	SM	SM	SM	SM	PM	PM							
	C	SM	SM	SM	SM									
	B	SM	SM	SM	SM									
	A	SM	SM	SM	SM									

15S+2LP+4P+15S



THIS PCB LAYOUT FOR P/N :2204422-4/5/6

THIS DRAWING IS A CONTROLLED DOCUMENT.		DWN THOMAS ZHAO 20AUG2013	TE Connectivity										
DIMENSIONS: mm		CHK SUNY ZHAO 20AUG2013											
TOLERANCES UNLESS OTHERWISE SPECIFIED:		APVD SUNY ZHAO 20AUG2013	NAME CUSTOMER DRAWING PRESS FIT VERTICAL RECEPTACLE S+P+LP+S MULTI-BEAM HD CONNECTOR										
<table border="1"> <tr><td>0 PLC</td><td>±</td></tr> <tr><td>1 PLC</td><td>±0.4</td></tr> <tr><td>2 PLC</td><td>±0.25</td></tr> <tr><td>3 PLC</td><td>±0.15</td></tr> <tr><td>4 PLC</td><td>±</td></tr> </table>		0 PLC	±	1 PLC	±0.4	2 PLC	±0.25	3 PLC	±0.15	4 PLC	±	PRODUCT SPEC	RESTRICTED TO
0 PLC	±												
1 PLC	±0.4												
2 PLC	±0.25												
3 PLC	±0.15												
4 PLC	±												
MATERIAL		APPLICATION SPEC	SIZE A1										
FINISH		WEIGHT	CAGE CODE C=2204422										
		CUSTOMER DRAWING	DRAWING NO. 00779										
		SCALE 4:1	SHEET 6 OF 6										
			REV A2										