



Chipsmall Limited consists of a professional team with an average of over 10 year of expertise in the distribution of electronic components. Based in Hongkong, we have already established firm and mutual-benefit business relationships with customers from,Europe,America and south Asia,supplying obsolete and hard-to-find components to meet their specific needs.

With the principle of “Quality Parts,Customers Priority,Honest Operation,and Considerate Service”,our business mainly focus on the distribution of electronic components. Line cards we deal with include Microchip,ALPS,ROHM,Xilinx,Pulse,ON,Everlight and Freescale. Main products comprise IC,Modules,Potentiometer,IC Socket,Relay,Connector.Our parts cover such applications as commercial,industrial, and automotives areas.

We are looking forward to setting up business relationship with you and hope to provide you with the best service and solution. Let us make a better world for our industry!



Contact us

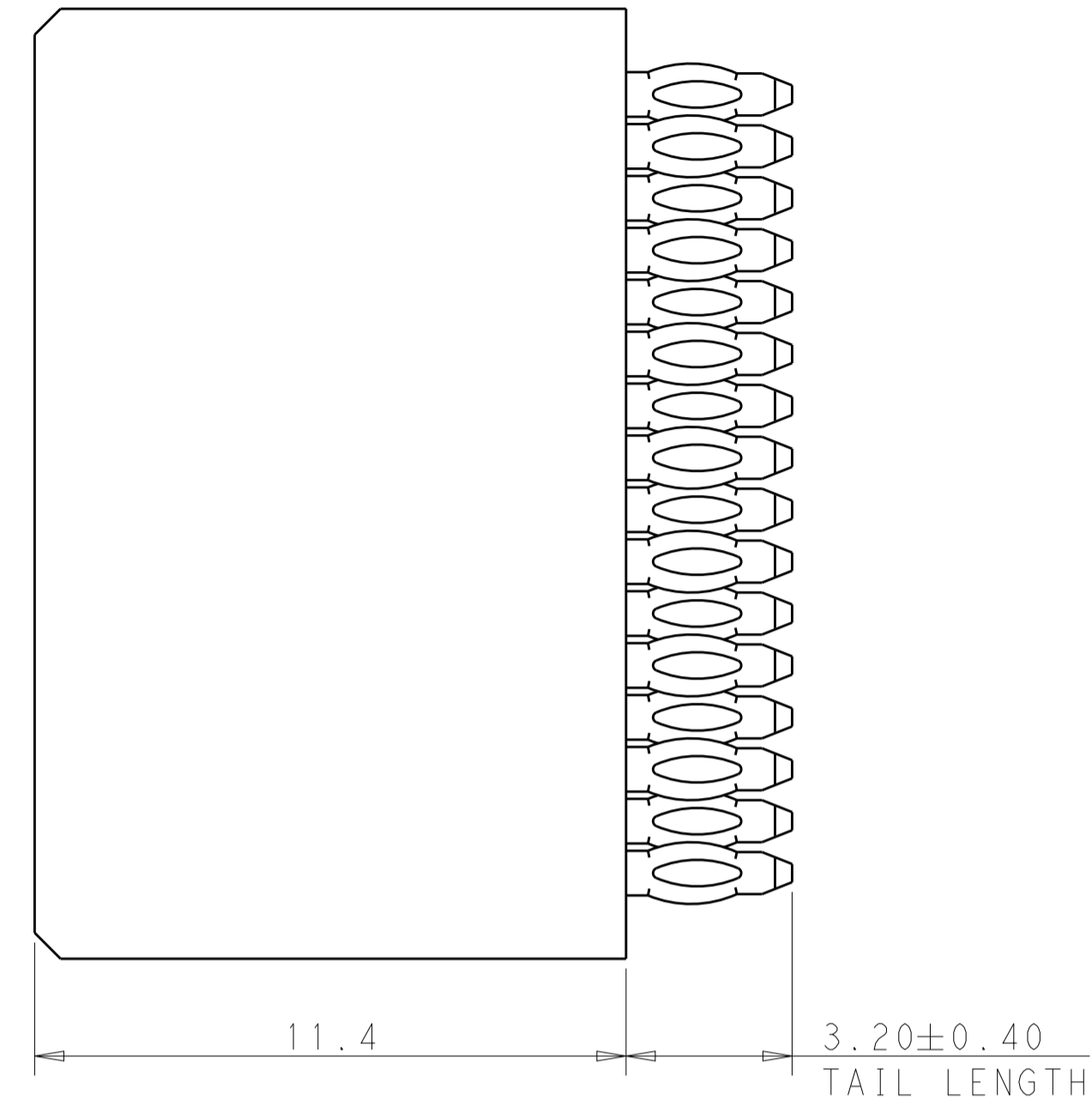
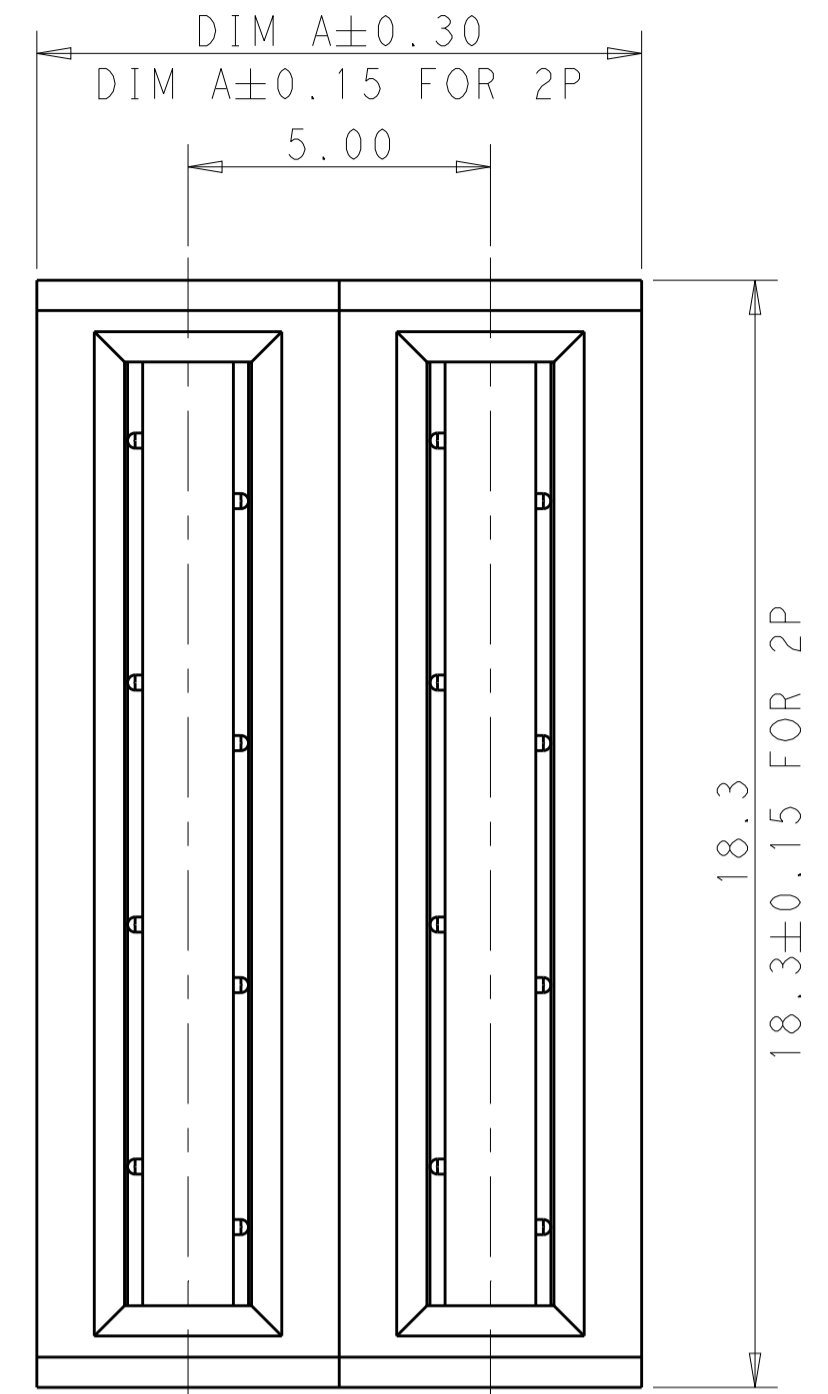
Tel: +86-755-8981 8866 Fax: +86-755-8427 6832

Email & Skype: info@chipsmall.com Web: www.chipsmall.com

Address: A1208, Overseas Decoration Building, #122 Zhenhua RD., Futian, Shenzhen, China

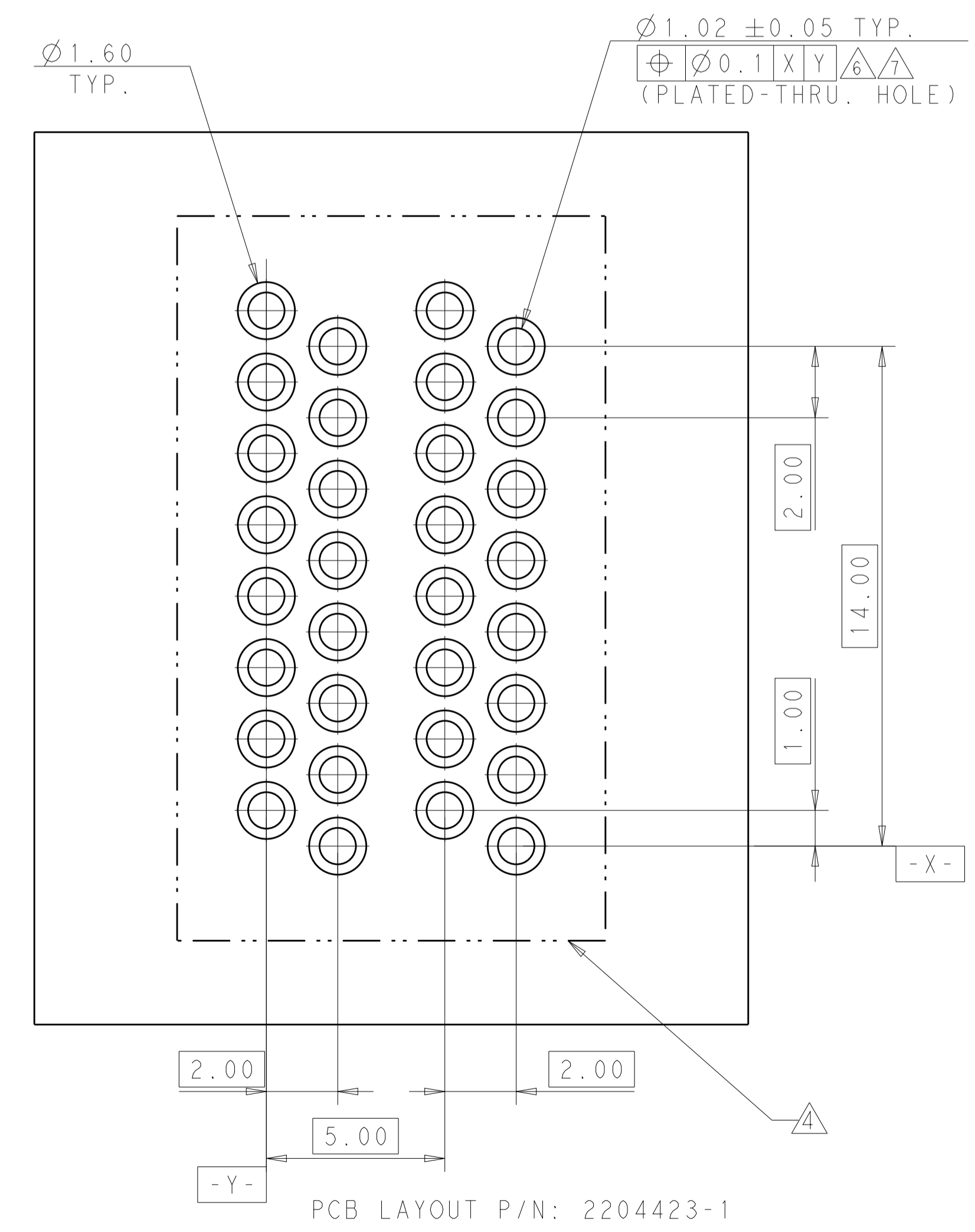
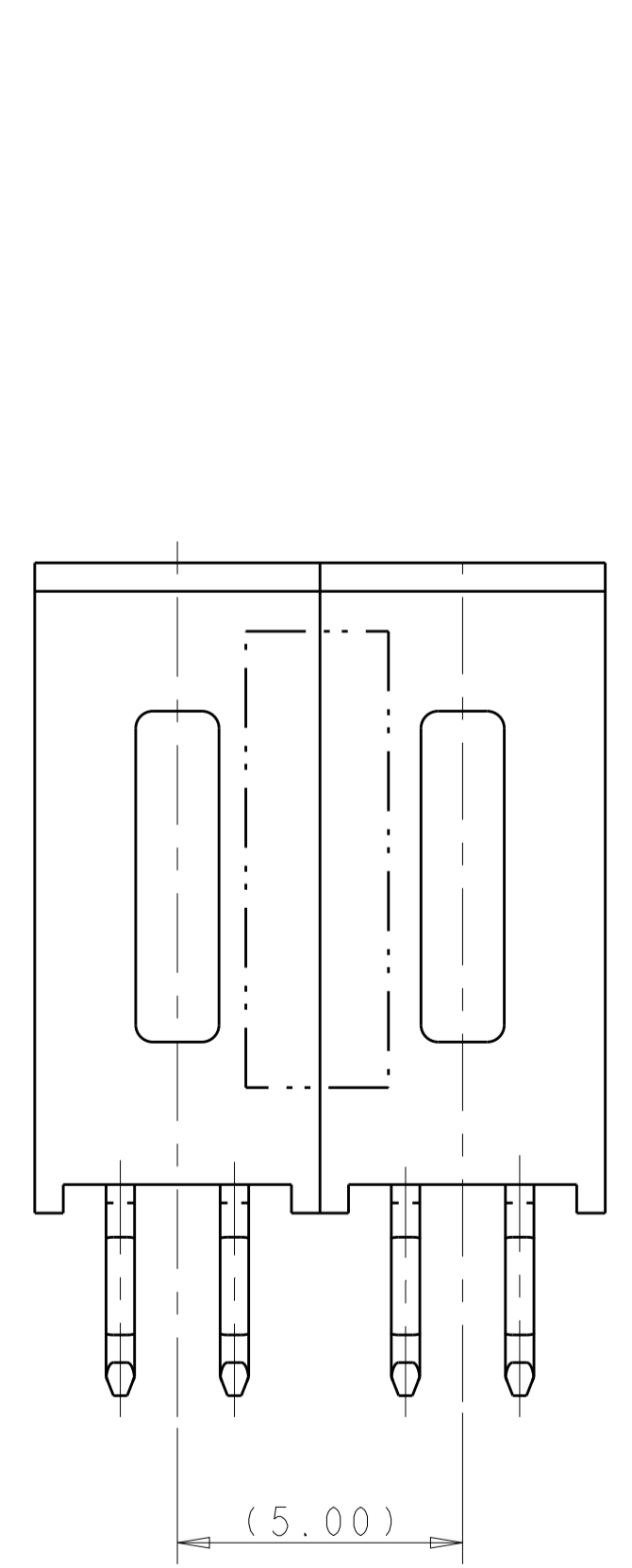


LOC		DIST		REVISIONS			
P	LTN	DESCRIPTION	DATE	DWN	APVD		
A		PROPOSAL DRAWING	17FEB2016	TZ	SZ		
A1		ECR-17-000533	23JAN2017	TZ	SZ		
A2		ECR-17-003044	02MAR2017	TZ	SZ		
A3		ECR-17-005554	18APR2017	TZ	SZ		

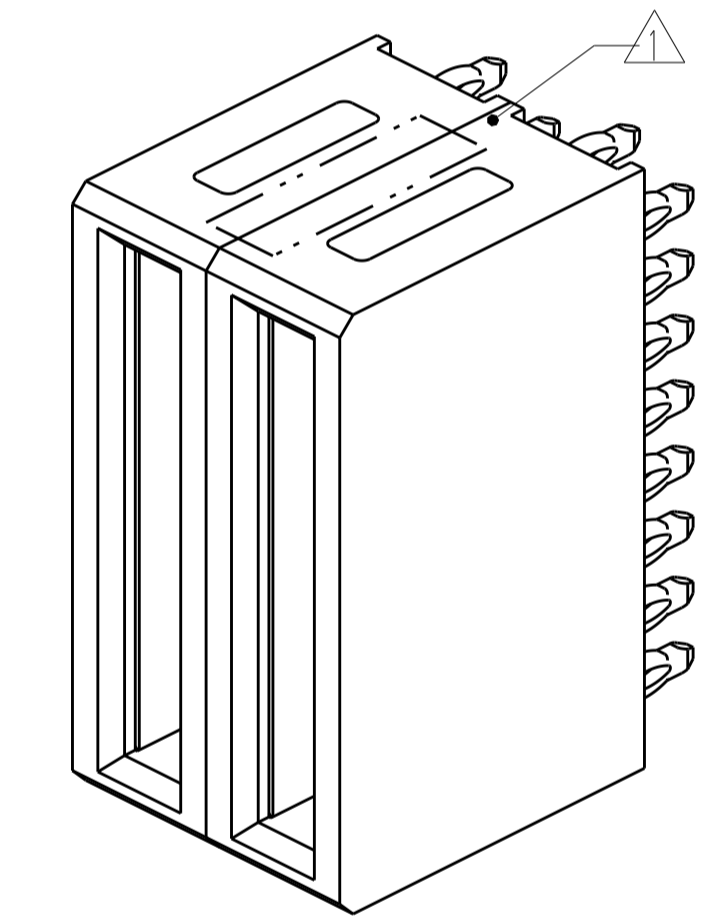


NOTES, UNLESS OTHERWISE SPECIFIED:

- △ "TE", PART NUMBER AND DATE CODE TO BE MARKED IN AREA SHOWN.
- △ MATERIAL:
 HOUSING - GLASS FILLED HIGH TEMP THERMO PLASTIC,
 COLOR: BLACK, UL94 V- 0.
 SIGNAL CONTACT - HIGH CONDUCTIVITY COPPER ALLOY.
 POWER CONTACT - HIGH CONDUCTIVITY COPPER ALLOY.
- △ CONTACT PLATING:
 MATING AREA - NOBLE METAL OVERALL NICKEL
 TAIL SIDE AREA - MATTE TIN OVERALL NICKEL.
- △ MECHANICAL CONNECTOR KEEP OUT ZONE.
- △ DATUM AND BASIC DIMENSIONS ESTABLISHED BY CUSTOMER.
- △ PCB - ALL HOLE DIAMETERS ARE FINISHED HOLE SIZES.
- △ PCB HOLE:
 POWER - 1.15 ± 0.025 MM DRILLED HOLES SIZE PLATING WITH 0.0076 MM MIN.
 Sn OVER 0.025-0.076 MM Cu PLATING TO ACHIEVE A 1.02 MM DIA. HOLE.



PART NUMBER	POWER	
	P2	P1
2204423-1	PM	PM
2P		



PRELIMINARY	12.00	4MP	2204423-5
PRELIMINARY	30.00	6P	2204423-4
PRELIMINARY	20.00	4P	2204423-3
	10.00	2P	2204423-2
	10.00	2P	2204423-1
	DIM A	DESCRIPTION	PART NUMBER

THIS DRAWING IS A CONTROLLED DOCUMENT. DWN: THOMAS ZHAO 28JUN2013
 CHK: SUNY ZHAO 28JUN2013
 APVD: SUNY ZHAO 28JUN2013

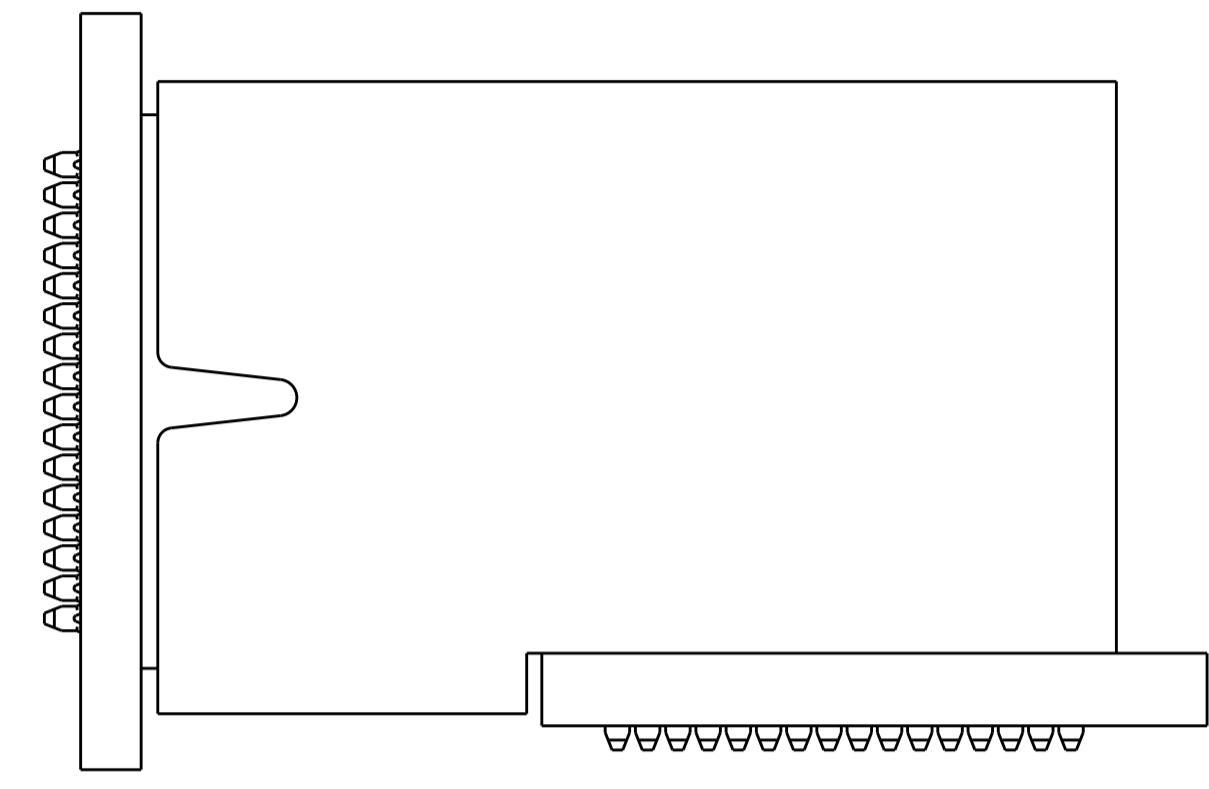
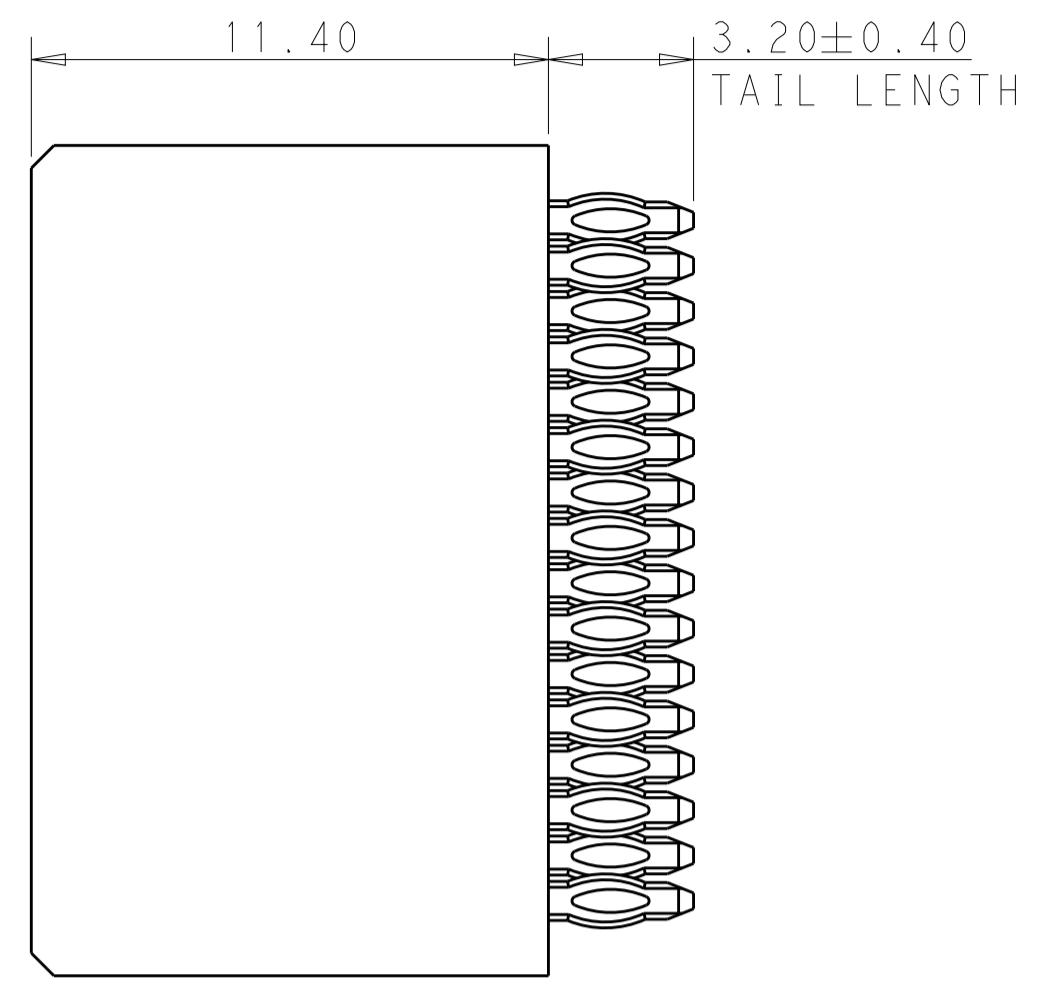
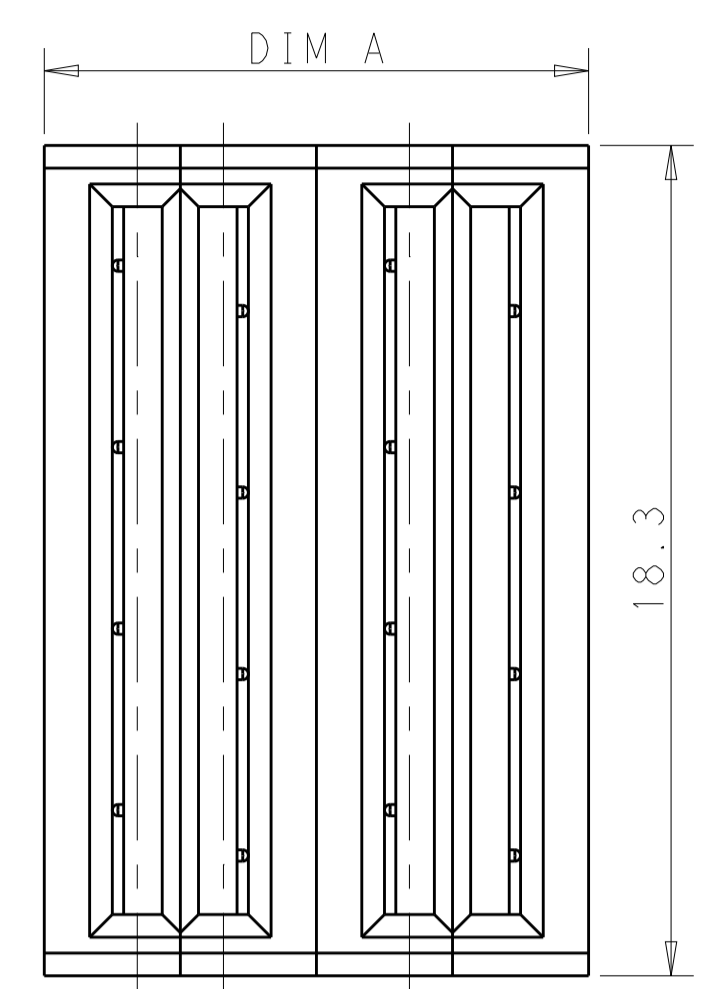
STE TE Connectivity

Customer Drawing
 VERTICAL RECEPTACLE PRESS FIT
 MUTIL-BEAM HD W/GUIDELESS

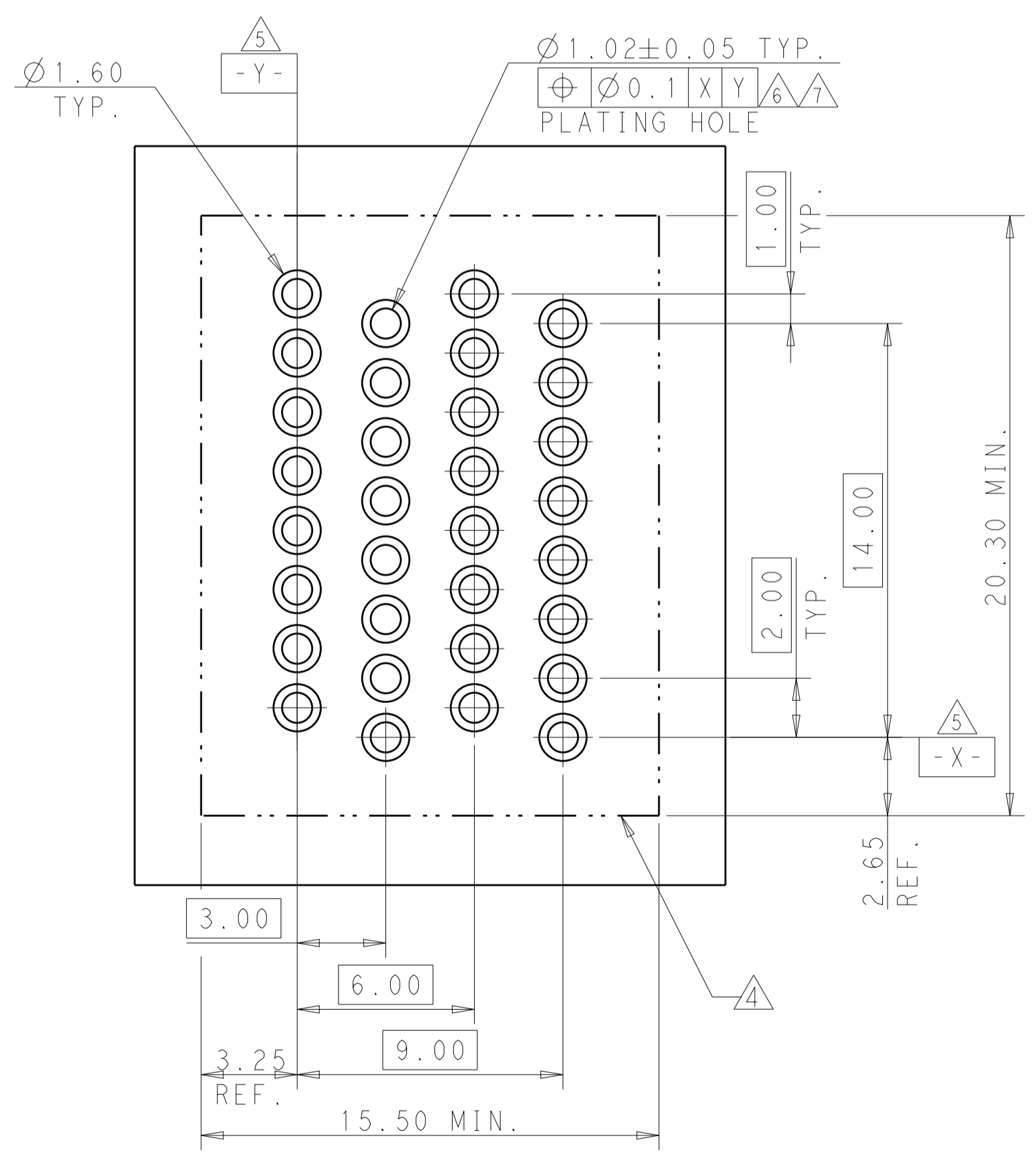
SIZE: A1 CAGE CODE: - DRAWING NO: C=2204423
 WEIGHT: -
 MATERIAL: 2 FINISH: 3

CUSTOMER DRAWING SCALE: 8:1 SHEET 1 OF 3 REV: A3

LOC		DIST		REVISIONS			
				REV	DATE	BY	APPV
-	-	-	-	-	-	-	-
-	-	-	-	-	SEE SHEET 1	-	-



THE DISTANCE IS 0.05 MM MATING FACE FROM R/A PLUG TO VERTICAL REC.



PART NUMBER	POWER			
	M4	M3	M2	M1
2204423-5	MM	MM	MN	MN
4MP				

DESCRIPTION	CODE
MIDDLE POWER CONTACT MFBL	MM
MIDDLE POWER CONTACT STANDARD	MN
POWER CONTACT MFBL	PM
POWER CONTACT STANDARD	PN

THIS DRAWING IS A CONTROLLED DOCUMENT.

DIMENSIONS: mm
 TOLERANCES UNLESS OTHERWISE SPECIFIED:
 0 PLC ±
 1 PLC ±0.4
 2 PLC ±0.25
 3 PLC ±0.15
 4 PLC ±
 ANGLES ±

MATERIAL: -
 FINISH: -

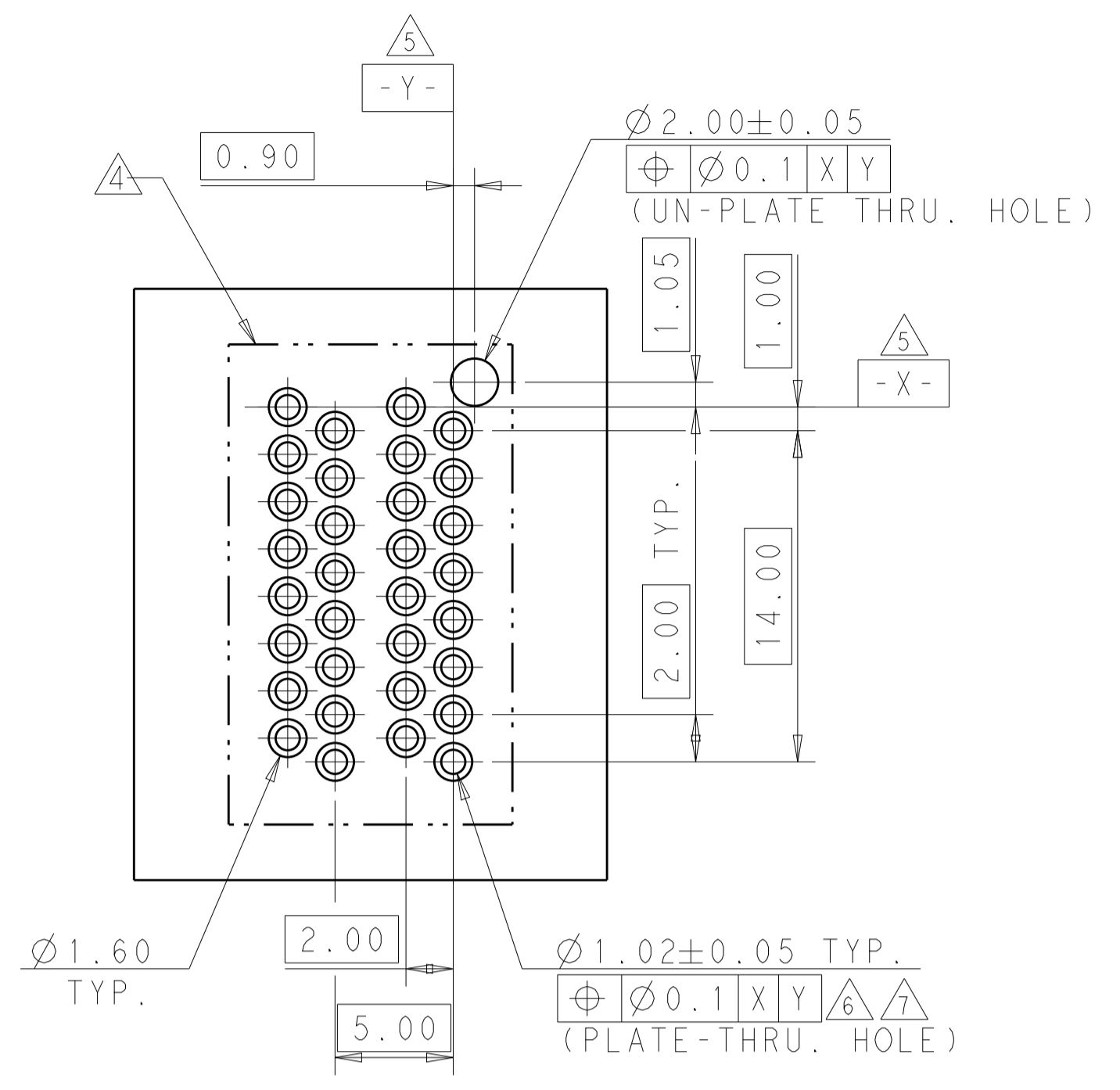
DWN: THOMAS_ZHAO 28JUN2013
 CHK: SUNY_ZHAO 28JUN2013
 APVD: SUNY_ZHAO 28JUN2013

NAME: Customer Drawing
 PRODUCT SPEC: VERTICAL RECEPTACLE PRESS FIT
 APPLICATION SPEC: MUTIL-BEAM HD W/GUIDELESS

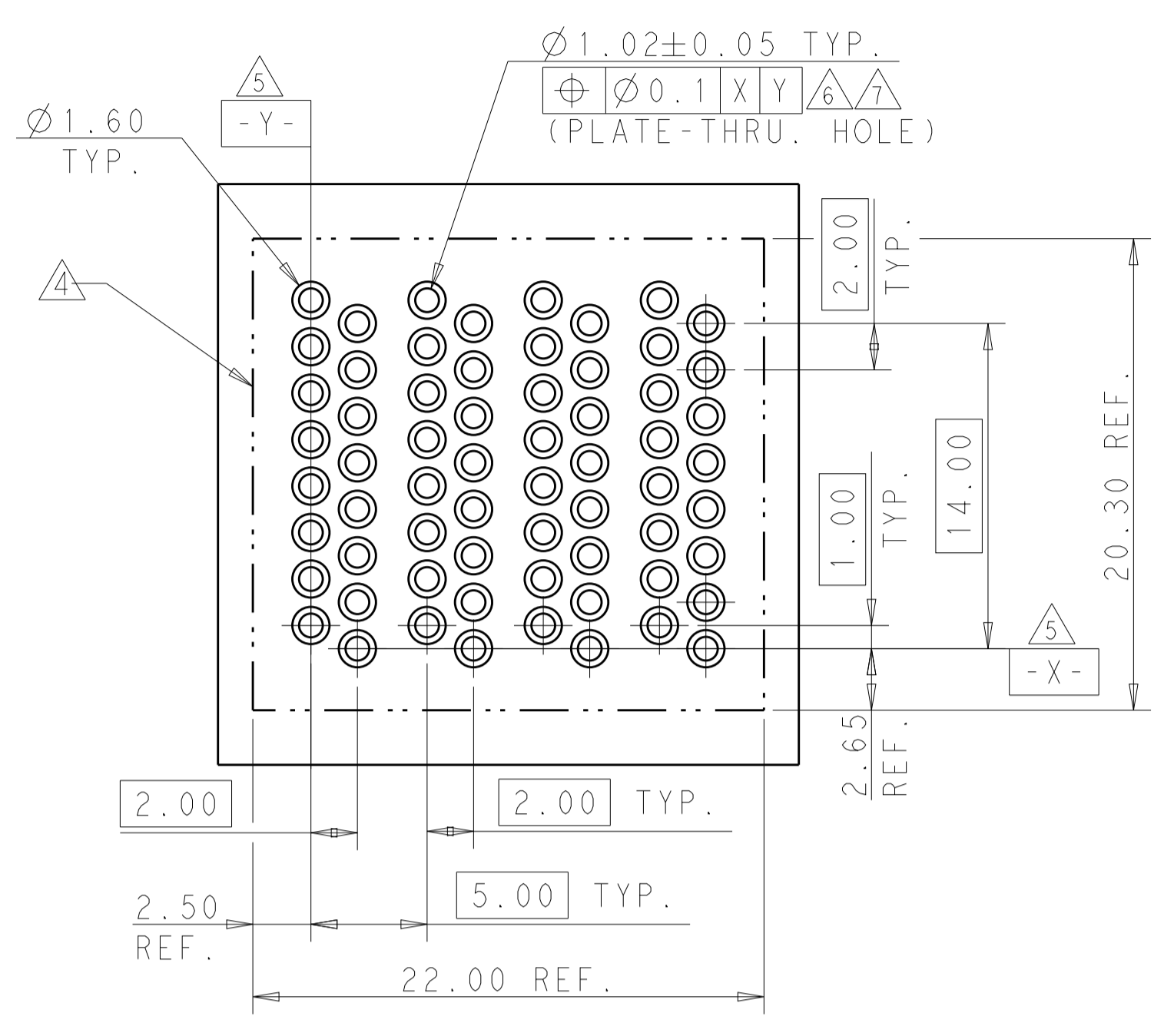
SIZE: A1
 CAGE CODE: -
 DRAWING NO: 2204423
 RESTRICTED TO: -

CUSTOMER DRAWING
 SCALE: 8:1
 SHEET: 2 OF 3
 REV: A3

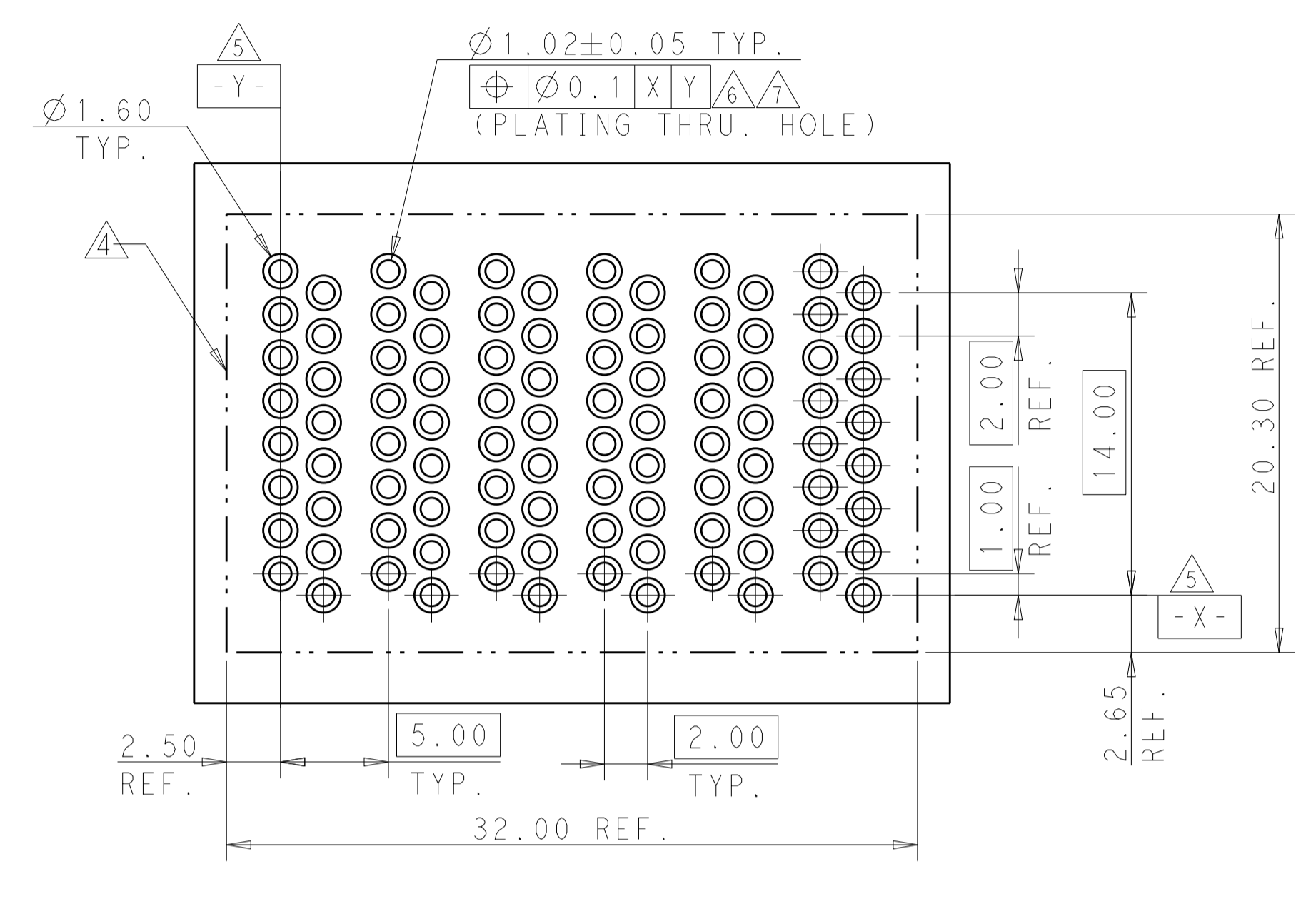
LOC		DIST		REVISIONS			
P	LTN	DESCRIPTION	DATE	DWN	APVD		
-	-	SEE SHEET 1	-	-	-		



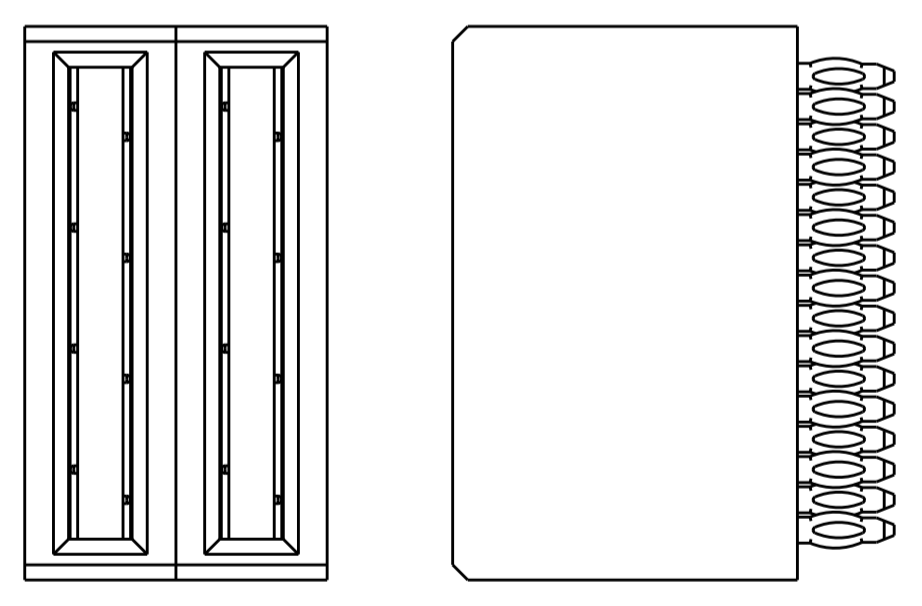
PCB LAYOUT PART NUMBER: 2204423-2



PCB LAYOUT PART NUMBER: 2204423-3



PCB LAYOUT PART NUMBER: 2204423-4



PLASTIC PEG

PART NUMBER: 2204423-2 WITH PLASTIC PEG

PART NUMBER	POWER	
	P2	P1
2204423-2	PM	PN
2P		

PART NUMBER	POWER			
	P4	P3	P2	P1
2204423-3	PM	PM	PM	PM
4P				

PART NUMBER	POWER					
	P6	P5	P4	P3	P2	P1
2204423-4	PM	PM	PM	PM	PM	PM
6P						

THIS DRAWING IS A CONTROLLED DOCUMENT.		DWN THOMAS ZHAO 28JUN2013	TE Connectivity
DIMENSIONS: mm		CHK SUNY ZHAO 28JUN2013	
TOLERANCES UNLESS OTHERWISE SPECIFIED:		APVD SUNY ZHAO 28JUN2013	NAME Customer Drawing
0 PLC	±0.4	PRODUCT SPEC	VERTICAL RECEPTACLE PRESS FIT
1 PLC	±0.4	APPLICATION SPEC	MUTIL-BEAM HD W/GUIDELESS
2 PLC	±0.75	SIZE A1	CAGE CODE
3 PLC	±1.0	DRAWING NO. C=2204423	RESTRICTED TO
4 PLC	±1.5	WEIGHT	
ANGLES	±	CUSTOMER DRAWING	SCALE 8:1
MATERIAL	FINISH		SHEET 3 OF 3
			REV A3