



Chipsmall Limited consists of a professional team with an average of over 10 year of expertise in the distribution of electronic components. Based in Hongkong, we have already established firm and mutual-benefit business relationships with customers from,Europe,America and south Asia,supplying obsolete and hard-to-find components to meet their specific needs.

With the principle of “Quality Parts,Customers Priority,Honest Operation,and Considerate Service”,our business mainly focus on the distribution of electronic components. Line cards we deal with include Microchip,ALPS,ROHM,Xilinx,Pulse,ON,Everlight and Freescale. Main products comprise IC,Modules,Potentiometer,IC Socket,Relay,Connector.Our parts cover such applications as commercial,industrial, and automotives areas.

We are looking forward to setting up business relationship with you and hope to provide you with the best service and solution. Let us make a better world for our industry!



Contact us

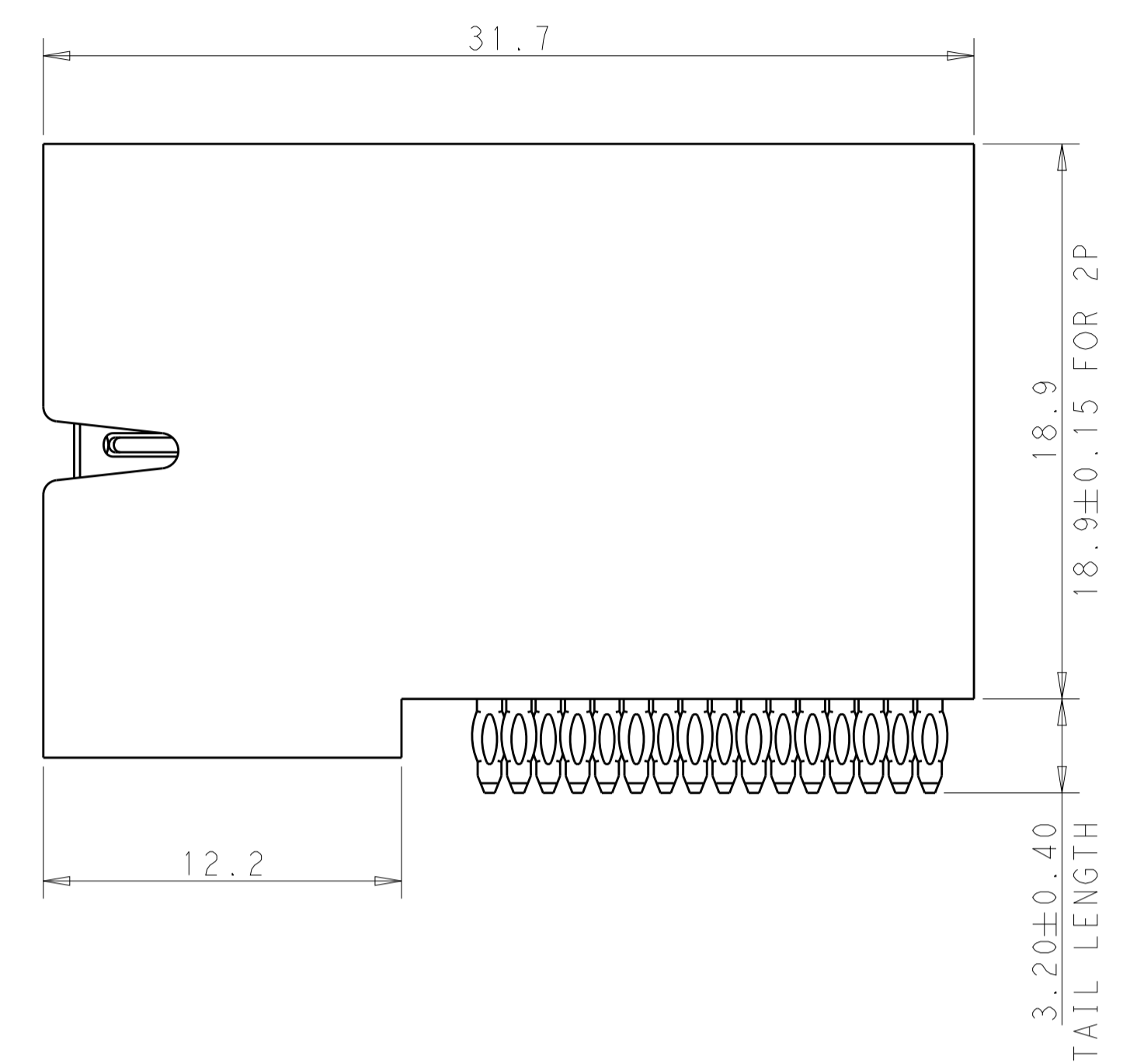
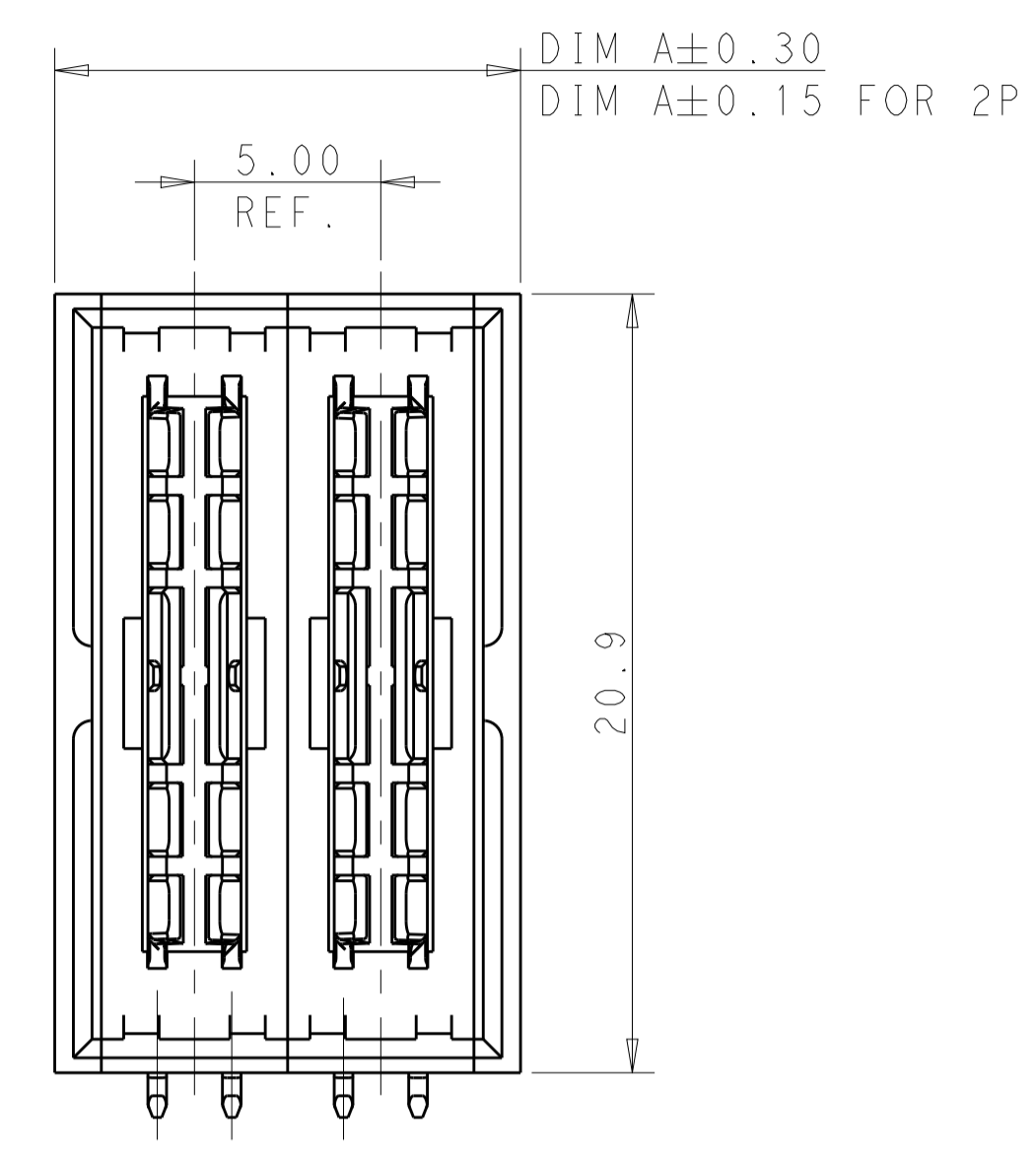
Tel: +86-755-8981 8866 Fax: +86-755-8427 6832

Email & Skype: info@chipsmall.com Web: www.chipsmall.com

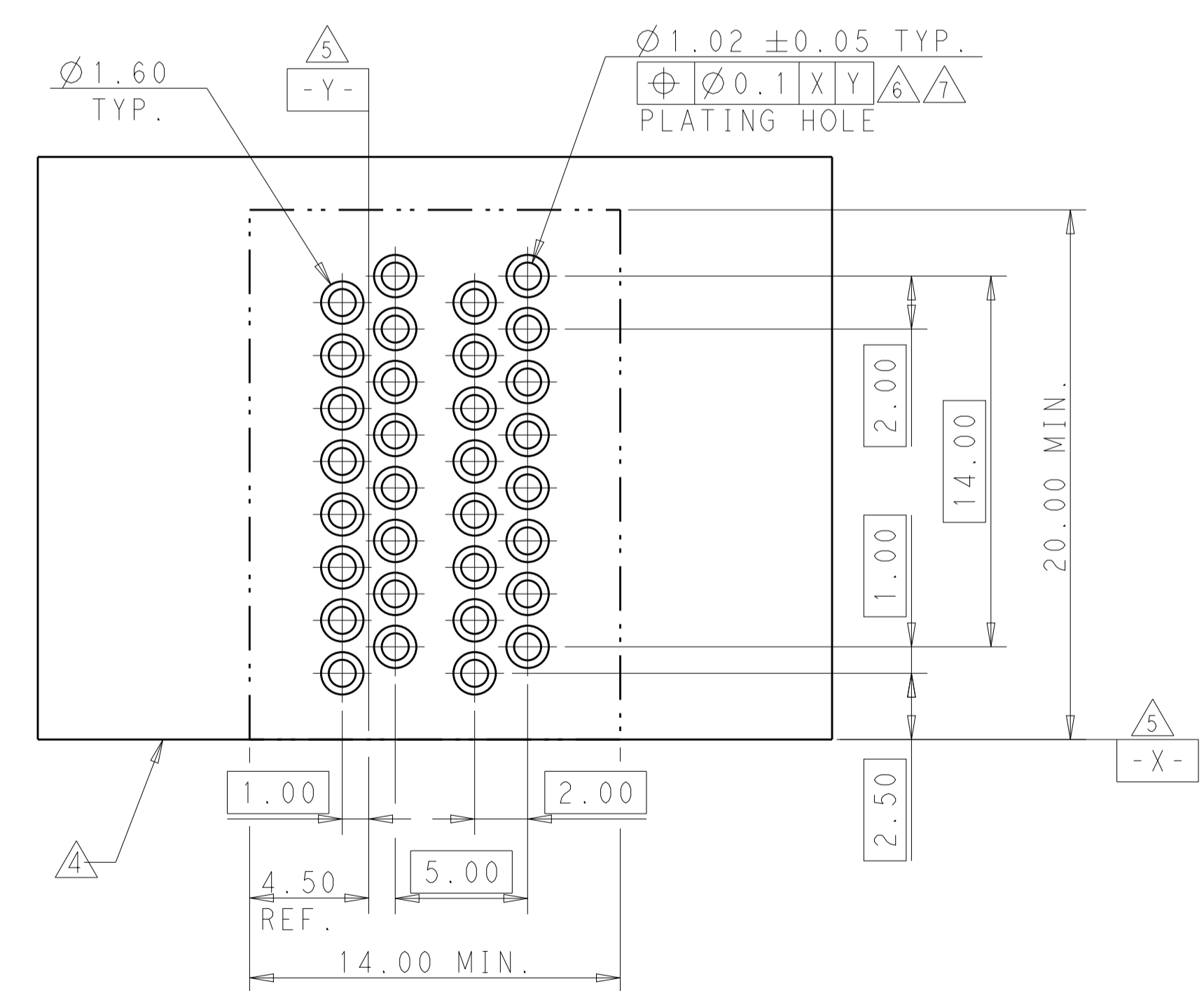
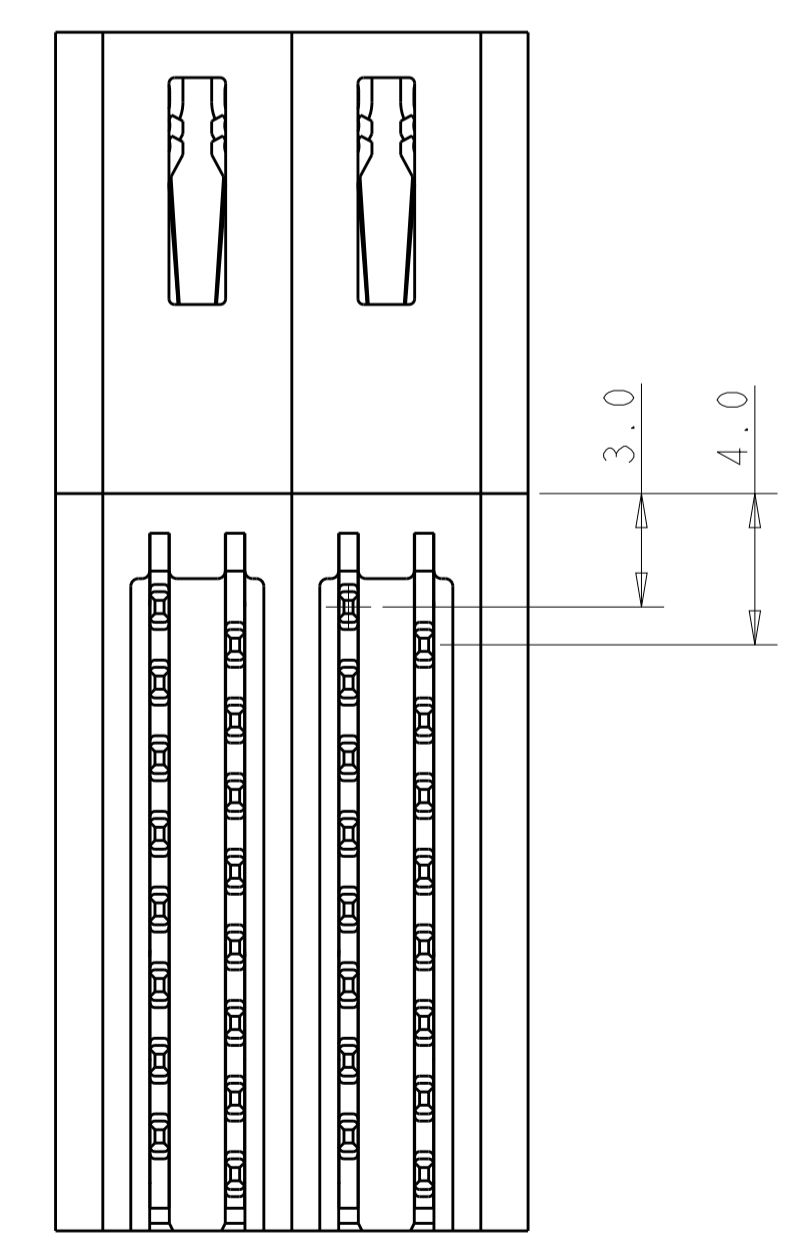
Address: A1208, Overseas Decoration Building, #122 Zhenhua RD., Futian, Shenzhen, China



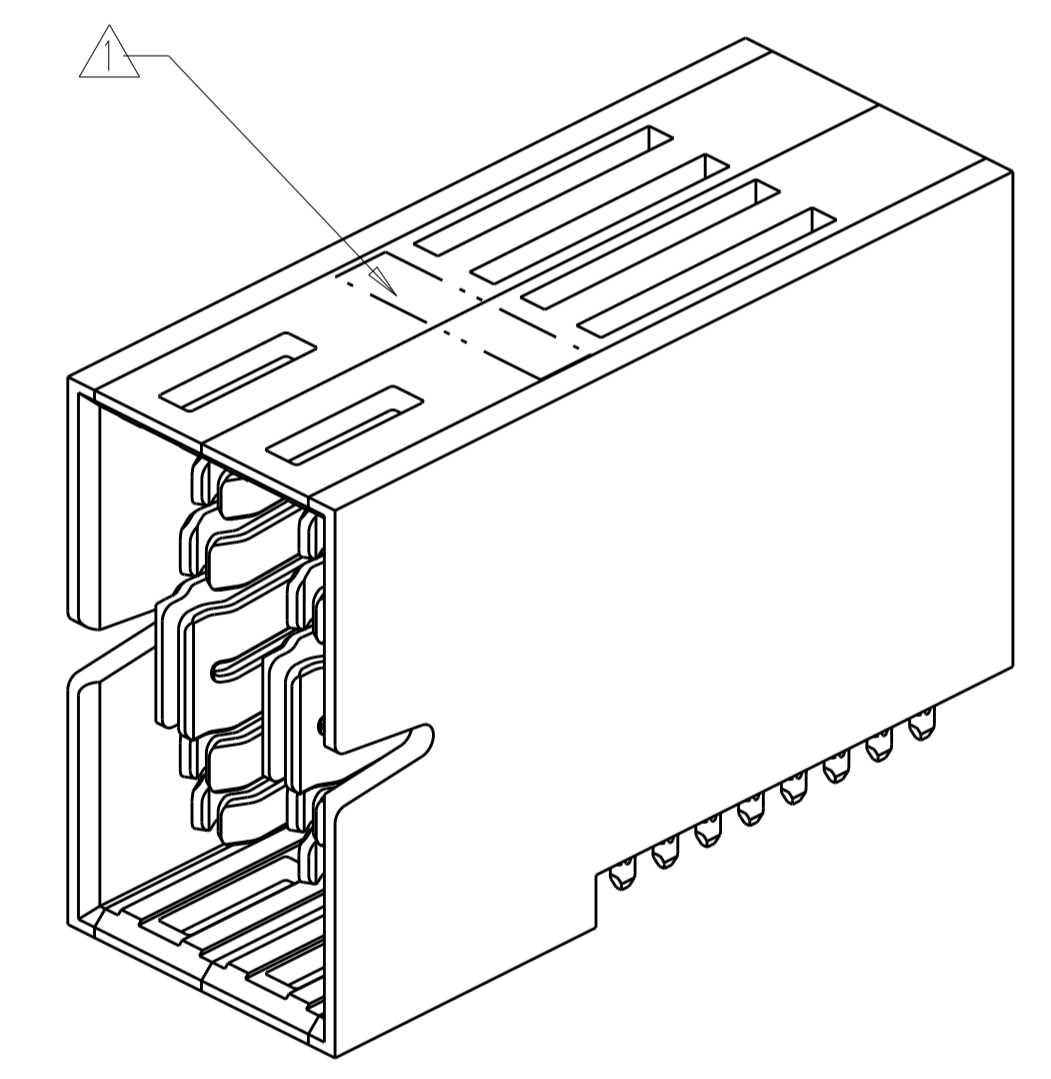
LOC	DIST	REVISIONS					
		P	LTN	DESCRIPTION	DATE	DWN	APVD
		A		PROPOSAL DRAWING	24APR2015	TZ	SZ
		A1		ECR-16-004133	18MAR2016	TZ	SZ
		A2		ECR-17-003044	02MAR2017	TZ	SZ
		A3		ECR-17-005554	18APR2017	TZ	SZ



NOTES, UNLESS OTHERWISE SPECIFIED:
 △ "TE", PART NUMBER AND DATE CODE TO BE MARKED IN AREA SHOWN.
 △ MATERIAL:
 HOUSING - GLASS FILLED HIGH TEMP THERMO PLASTIC, COLOR: BLACK, UL94 V- 0.
 SIGNAL CONTACT - HIGH CONDUCTIVITY COPPER ALLOY.
 POWER CONTACT - HIGH CONDUCTIVITY COPPER ALLOY.
 △ CONTACT PLATING:
 MATING AREA - NOBLE METAL OVERALL NICKEL
 TAIL SIDE AREA - MATTE TIN OVERALL NICKEL.
 △ MECHANICAL CONNECTOR KEEP OUT ZONE.
 △ DATUM AND BASIC DIMENSIONS ESTABLISHED BY CUSTOMER.
 △ PCB - ALL HOLE DIAMETERS ARE FINISHED HOLE SIZES.
 △ PCB HOLE:
 POWER - 1.15 ± 0.025 MM DRILLED HOLES SIZE PLATING WITH 0.0076 MM MIN. Sn OVER 0.025~0.076 MM Cu PLATING TO ACHIEVE A 1.02 MM DIA. HOLE.



PART NUMBER	POWER	
	P1	P2
2204443-1	PH	PH
2P		



DESCRIPTION	CODE
MIDDLE POWER CONTACT	MH
POWER CONTACT	PH
DESCRIPTION	CODE

DIM A	DESCRIPTION	PART NUMBER
14.50	4MP	2204443-4
22.50	4P	2204443-2
12.50	2P	2204443-1

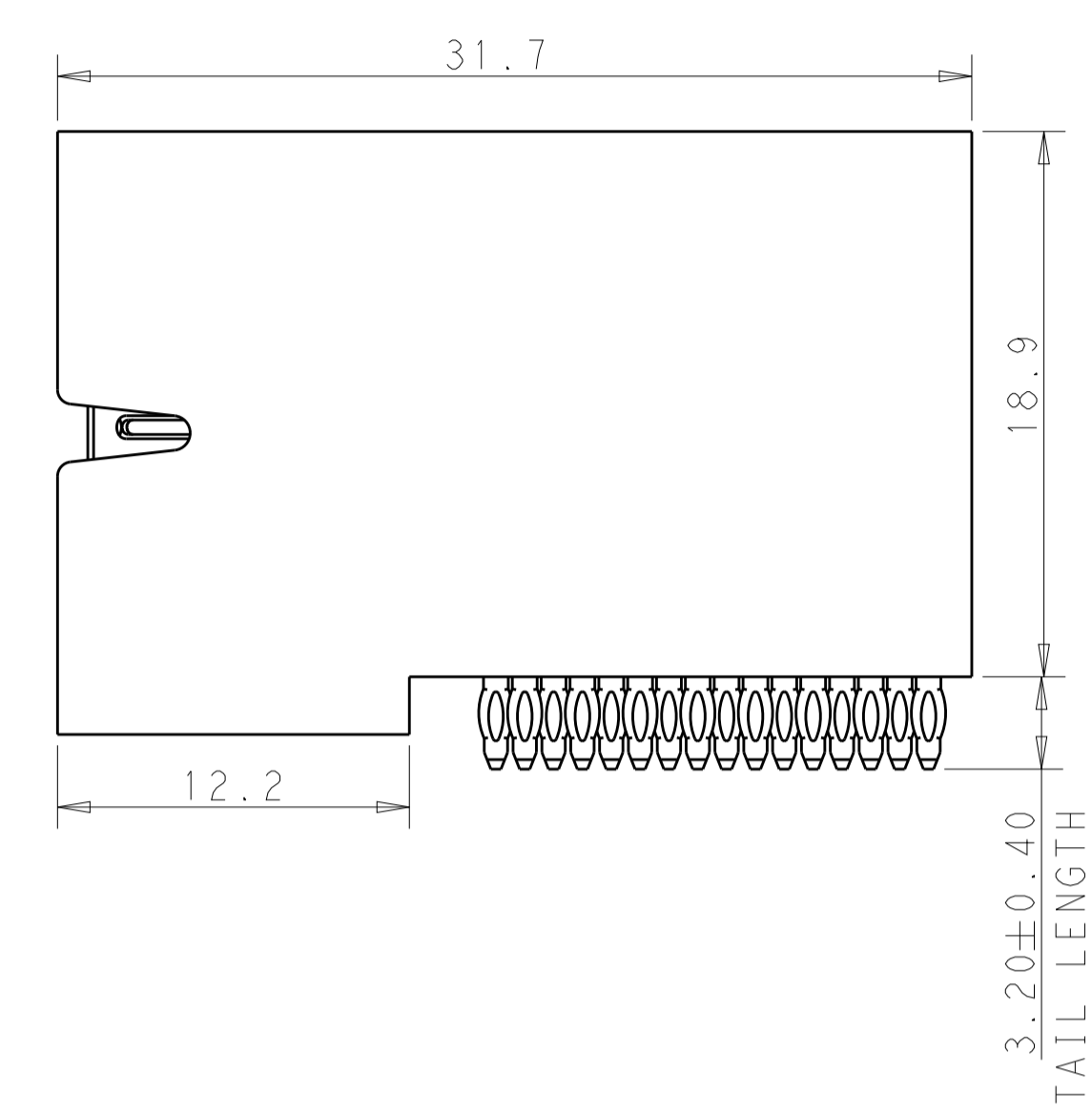
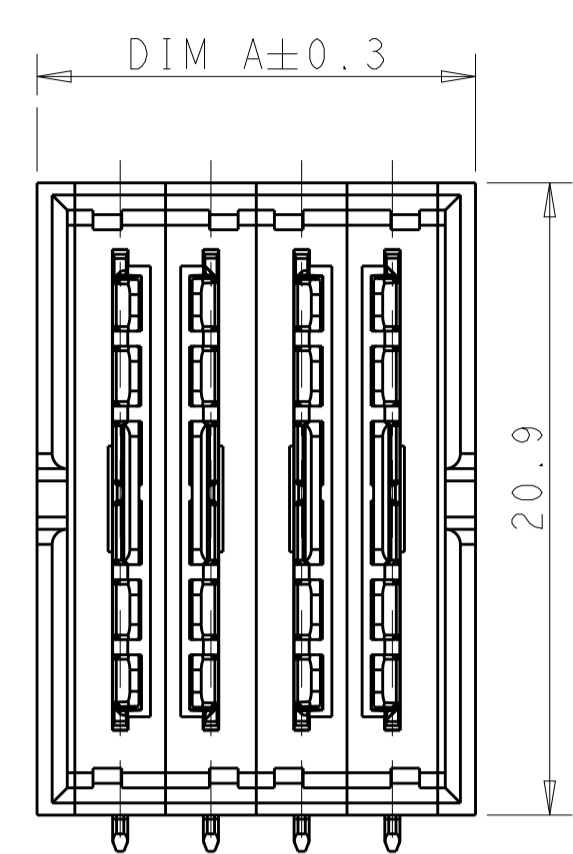
THIS DRAWING IS A CONTROLLED DOCUMENT. DWN: THOMAS_ZHAO 28JUN2012, CHK: SUNY_ZHAO 28JUN2012, APVD: SUNY_ZHAO 28JUN2012

STE TE Connectivity

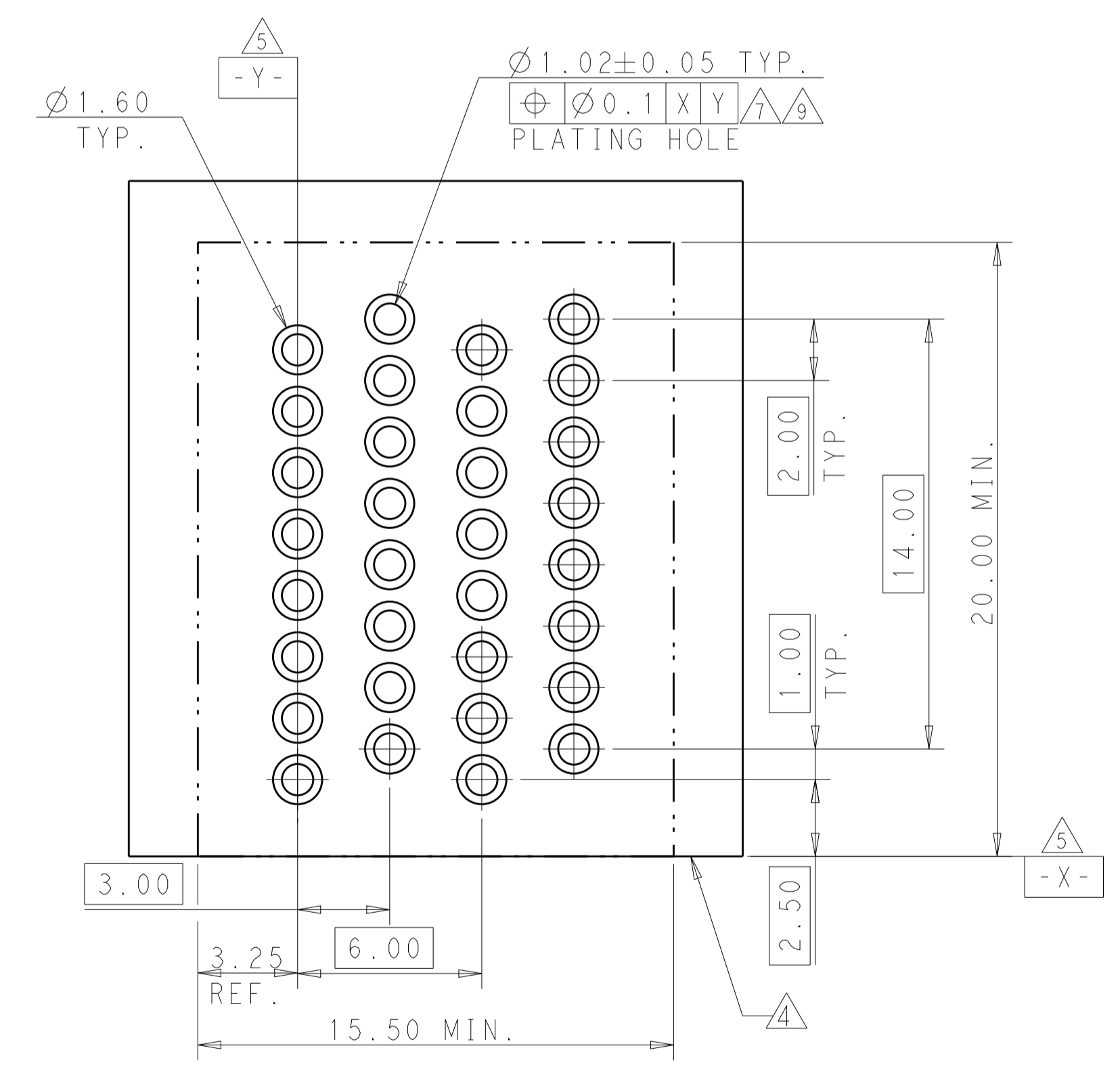
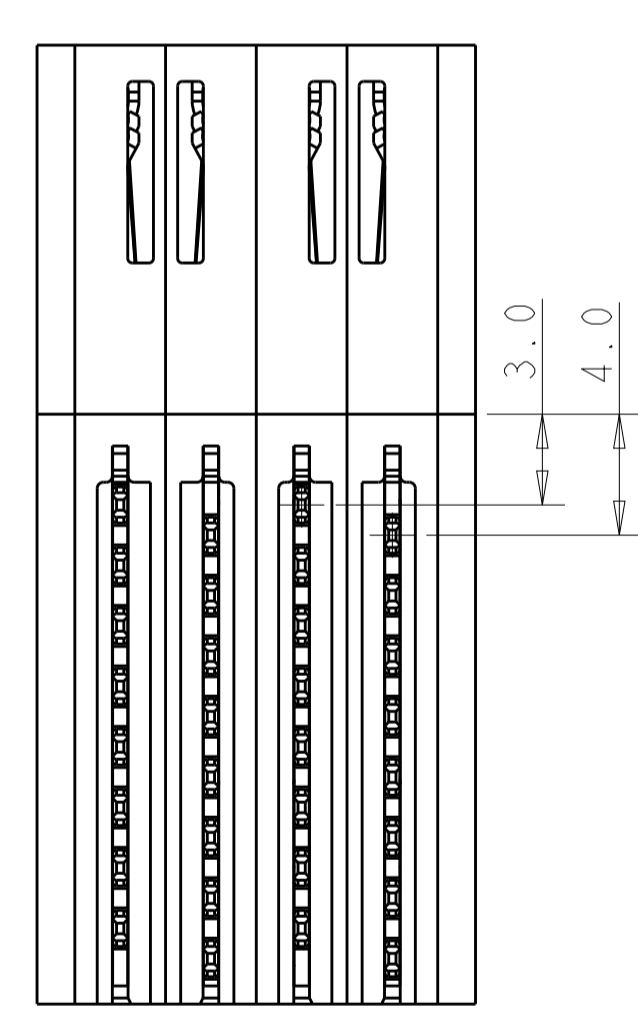
Customer Drawing
RIGHT ANGLE PLUG PRESS FIT
MULTI-BEAM HD W/GUIDELESS

SCALE: 5:1 SHEET 1 OF 3 REV: A3

LOC		DIST		REVISIONS			
P	LTN	DESCRIPTION	DATE	DWN	APVD		
-	-	SEE SHEET 1	-	-	-		



PART NUMBER	POWER			
	M1	M2	M3	M4
2204443-4	MH	MH	MH	MH
4MP				



THIS DRAWING IS A CONTROLLED DOCUMENT.

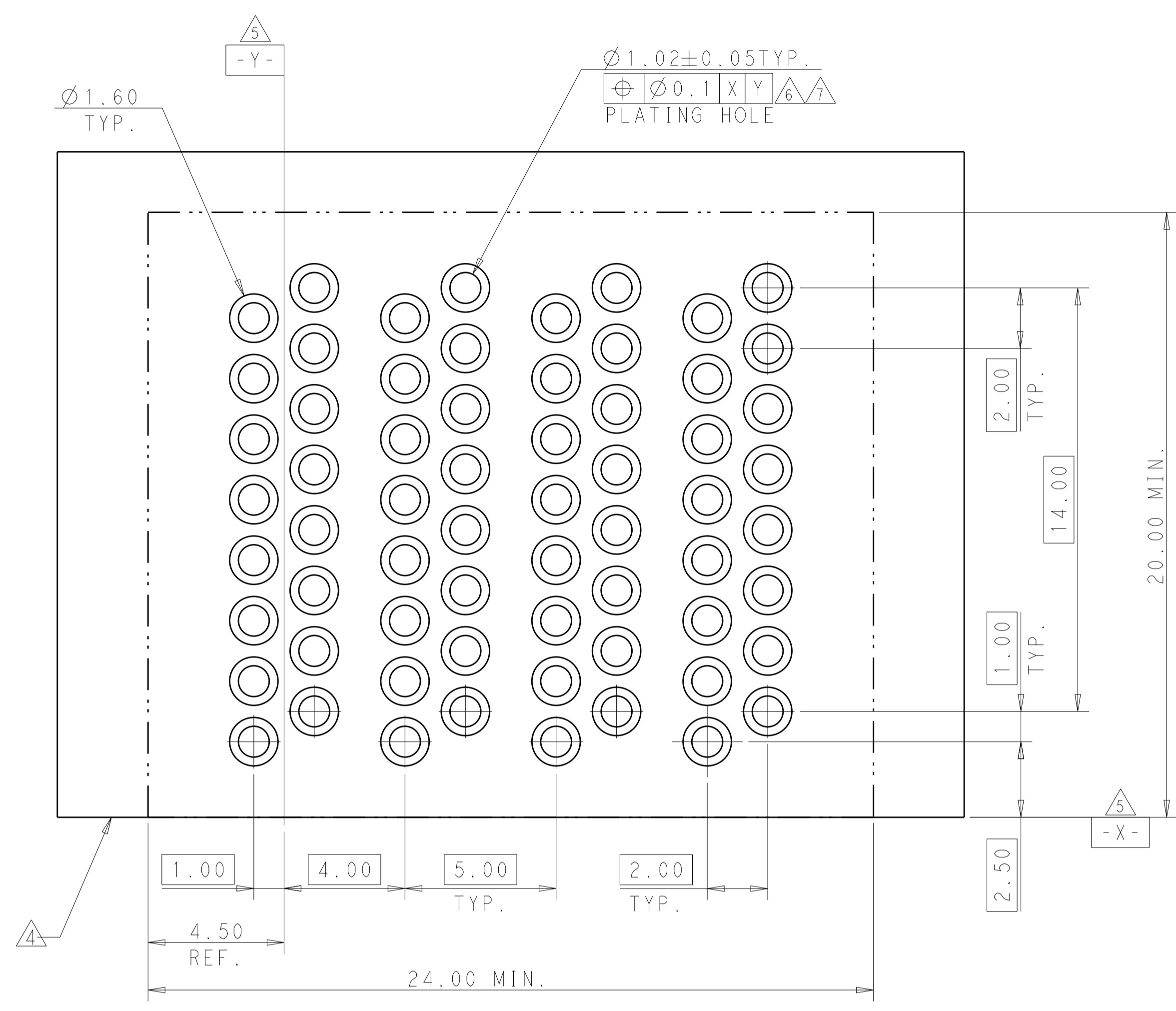
DIMENSIONS:	TOLERANCES UNLESS OTHERWISE SPECIFIED:	DWN THOMAS_ZHAO 28JUN2012	CHK SUNY_ZHAO 28JUN2012	APVD SUNY_ZHAO 28JUN2012
mm	0 PLC ± .4 1 PLC ± 0.4 2 PLC ± 0.75 3 PLC ± 1.5 4 PLC ± . ANGLES ± .	NAME Customer Drawing		
MATERIAL	FINISH	PRODUCT SPEC		
		APPLICATION SPEC		
		WEIGHT		
		RESTRICTED TO		
		CUSTOMER DRAWING		

Customer Drawing
 RIGHT ANGLE PLUG PRESS FIT
 MULTI-BEAM HD W/GUIDELESS

SIZE A1 CAGE CODE DRAWING NO. C=2204443

SCALE 5:1 SHEET 2 OF 3 REV A3

LOC		DIST		REVISIONS			
P	LTN	DESCRIPTION	DATE	DWN	APVD		
-	-	SEE SHEET 1	-	-	-		



PART NUMBER	POWER			
	P1	P2	P3	P4
2204443-2	PH	PH	PH	PH
4P				

THIS DRAWING IS A CONTROLLED DOCUMENT.		DWN THOMAS_ZHAO 28JUN2012	TE Connectivity
DIMENSIONS: mm		CHK SUNY_ZHAO 28JUN2012	
TOLERANCES UNLESS OTHERWISE SPECIFIED:		APVD SUNY_ZHAO 28JUN2012	NAME Customer Drawing
0 PLC ±	1 PLC ±0.4	PRODUCT SPEC	RIGHT ANGLE PLUG PRESS FIT
2 PLC ±0.75	3 PLC ±1.15	APPLICATION SPEC	MULTI-BEAM HD W/GUIDELESS
4 PLC ±	ANGLES ±	WEIGHT	SIZE A1
MATERIAL	FINISH	CUSTOMER DRAWING	CAGE CODE DRAWING NO. C=2204443
		SCALE 5:1	SHEET 3 OF 3
		REV A3	