



Chipsmall Limited consists of a professional team with an average of over 10 year of expertise in the distribution of electronic components. Based in Hongkong, we have already established firm and mutual-benefit business relationships with customers from,Europe,America and south Asia,supplying obsolete and hard-to-find components to meet their specific needs.

With the principle of “Quality Parts,Customers Priority,Honest Operation,and Considerate Service”,our business mainly focus on the distribution of electronic components. Line cards we deal with include Microchip,ALPS,ROHM,Xilinx,Pulse,ON,Everlight and Freescale. Main products comprise IC,Modules,Potentiometer,IC Socket,Relay,Connector.Our parts cover such applications as commercial,industrial, and automotives areas.

We are looking forward to setting up business relationship with you and hope to provide you with the best service and solution. Let us make a better world for our industry!



Contact us

Tel: +86-755-8981 8866 Fax: +86-755-8427 6832

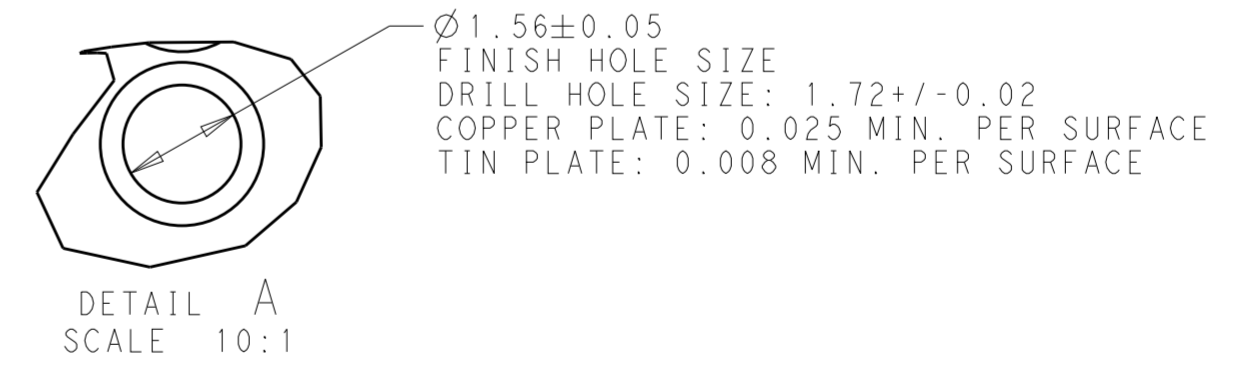
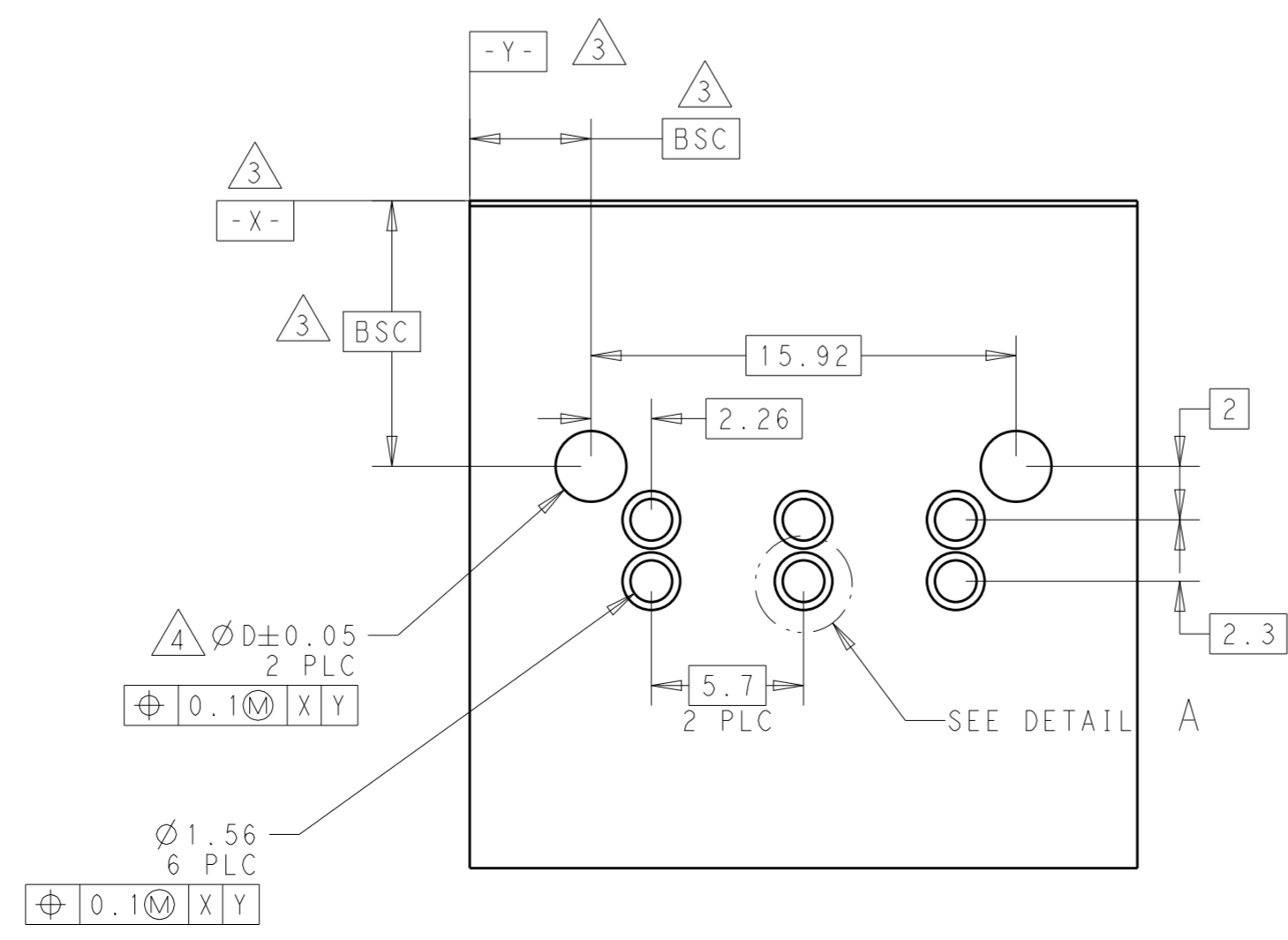
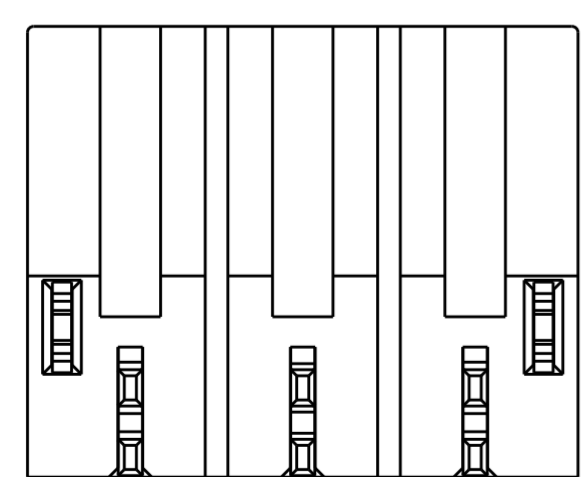
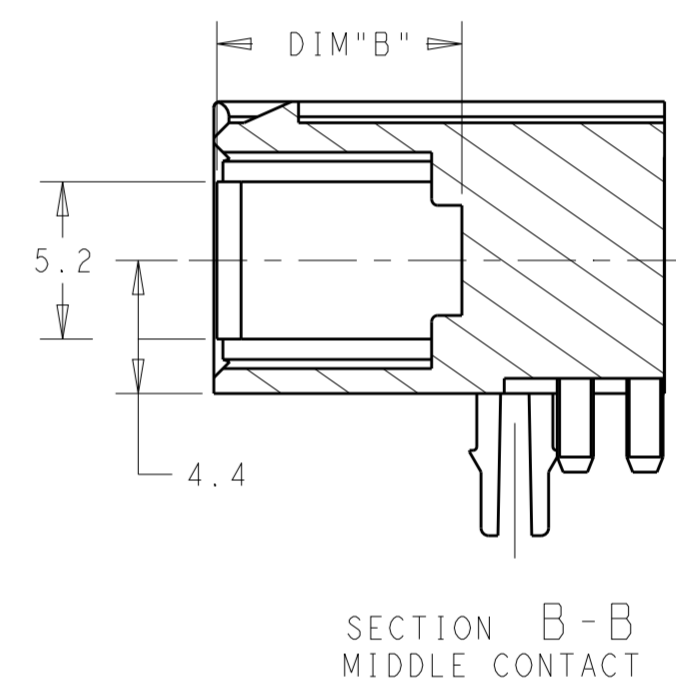
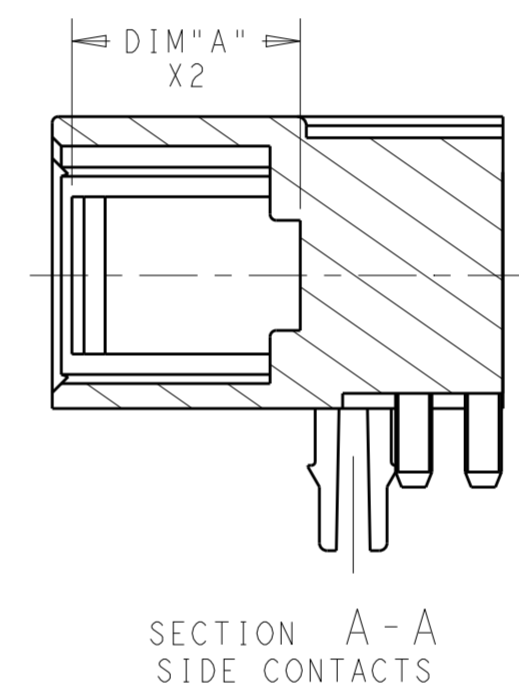
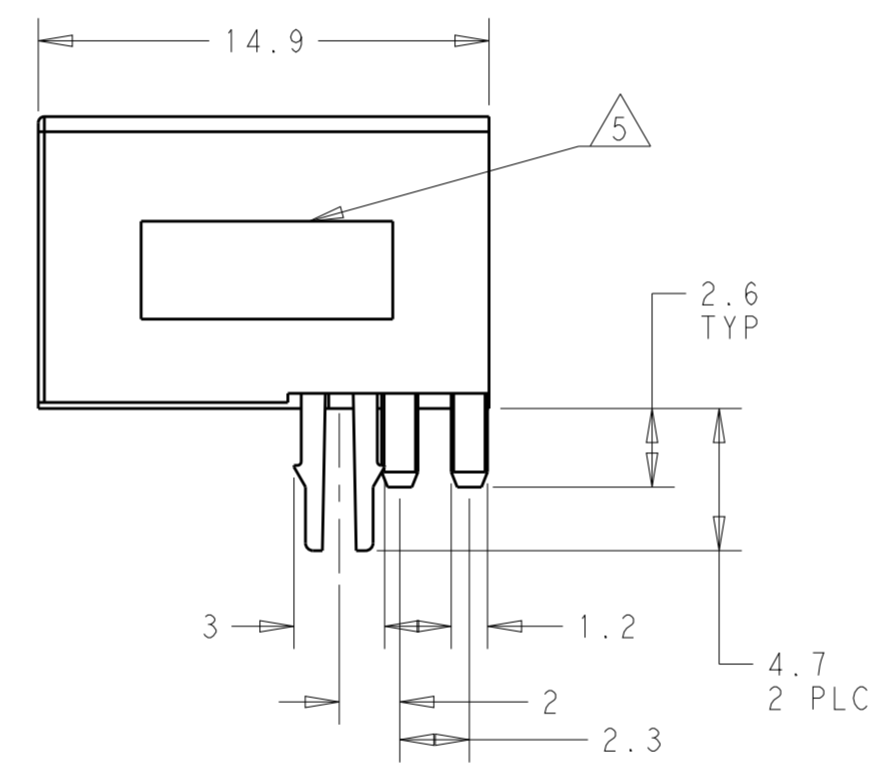
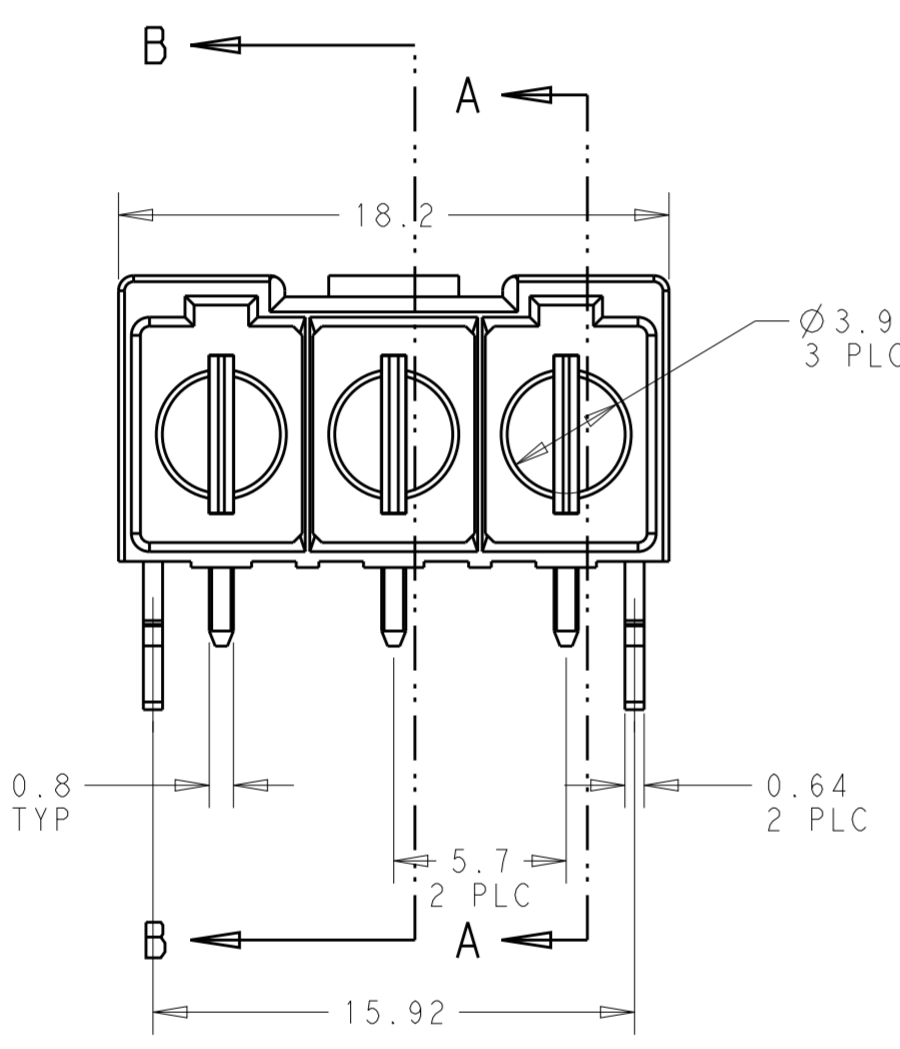
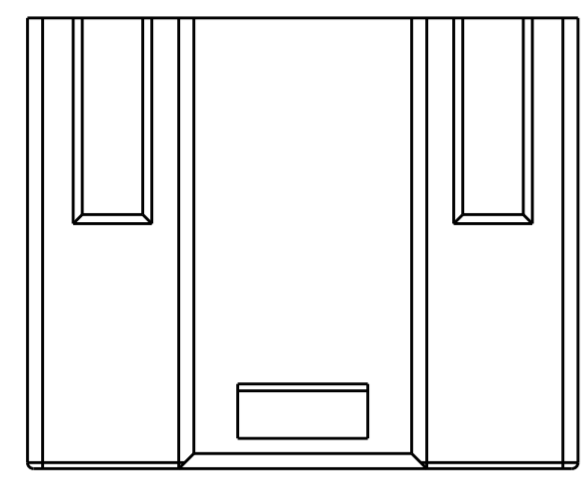
Email & Skype: info@chipsmall.com Web: www.chipsmall.com

Address: A1208, Overseas Decoration Building, #122 Zhenhua RD., Futian, Shenzhen, China



THIS DRAWING IS UNPUBLISHED. RELEASED FOR PUBLICATION 20
 © COPYRIGHT 20 BY - ALL RIGHTS RESERVED.

REVISIONS				
P	LTR	DESCRIPTION	DATE	APVD
A		REV PER ECR-16-006138	28APR2016	OL SZ
B		REV PER ECO-16-014059	09JAN2017	WY SZ



Ø 1.56
6 PLC
⊕ 0.1 M X Y

Ø 3.9
3 PLC

⊕ 0.1 M X Y

- 1 MATERIAL:
HOUSING: LCP BLACK, UL94V-0; CONTACT AND RETENTION CLIP: COPPER ALLOY
- 2 PLATING:
POWER CONTACT: 3UM SILVER OVER NICKEL PLATED;
RETENTION CLIP: TIN PLATED OVER NICKEL PLATED
- 3 DATUM AND BASIC DIMENSIONS ESTABLISHED BY CUSTOMER
- 4 UNPLATED THROUGH HOLE; THE RECOMMENDED HOLE SIZE IS 2.75MM OR 2.65MM.
- 5 "TE", PART NUMBER AND DATECODE TO BE MARKED IN AREA SHOWN

7.6	7.6	NO	2204529-2
8.1	7.55	YES	2204529-1
DIM "B"	DIM "A"	PROBE PROOF	PART NUMBER

THIS DRAWING IS A CONTROLLED DOCUMENT.

DIMENSIONS:	TOLERANCES UNLESS OTHERWISE SPECIFIED:	DWN ORANDO LI 03APR2015	TE Connectivity
mm	0 PLC ±0.25	CHK ZHAO SUNY 03APR2015	
	1 PLC ±0.1	APVD SUNY ZHAO 03APR2015	
	2 PLC ±0.05	PRODUCT SPEC 108-128027	
	3 PLC ±	APPLICATION SPEC 114-128029	NAME ELCON Mini, 3-position header right-angle, solder type
	4 PLC ±	WEIGHT -	SIZE A2
	ANGLES ±	CUSTOMER DRAWING	CAGE CODE -
	FINISH -	SCALE 4:1	DRAWING NO. C-2204529
MATERIAL TBD		SHEET 1 OF 1	RESTRICTED TO -
		REV B	