



Chipsmall Limited consists of a professional team with an average of over 10 year of expertise in the distribution of electronic components. Based in Hongkong, we have already established firm and mutual-benefit business relationships with customers from,Europe,America and south Asia,supplying obsolete and hard-to-find components to meet their specific needs.

With the principle of “Quality Parts,Customers Priority,Honest Operation,and Considerate Service”,our business mainly focus on the distribution of electronic components. Line cards we deal with include Microchip,ALPS,ROHM,Xilinx,Pulse,ON,Everlight and Freescale. Main products comprise IC,Modules,Potentiometer,IC Socket,Relay,Connector.Our parts cover such applications as commercial,industrial, and automotives areas.

We are looking forward to setting up business relationship with you and hope to provide you with the best service and solution. Let us make a better world for our industry!



Contact us

Tel: +86-755-8981 8866 Fax: +86-755-8427 6832

Email & Skype: info@chipsmall.com Web: www.chipsmall.com

Address: A1208, Overseas Decoration Building, #122 Zhenhua RD., Futian, Shenzhen, China



THIS DRAWING IS UNPUBLISHED. RELEASED FOR PUBLICATION
 © COPYRIGHT copyright.dBTe- ALL RIGHTS RESERVED.

REVISIONS				
P	LTR	DESCRIPTION	DATE	DWN APVD
A		REV PER ECR-16-006138	28APR2016	OL SZ
A1		REV PER ECR-16-006568	05MAY2016	OL SZ
B		REV PER ECO-16-014059	04JAN2017	WY SZ

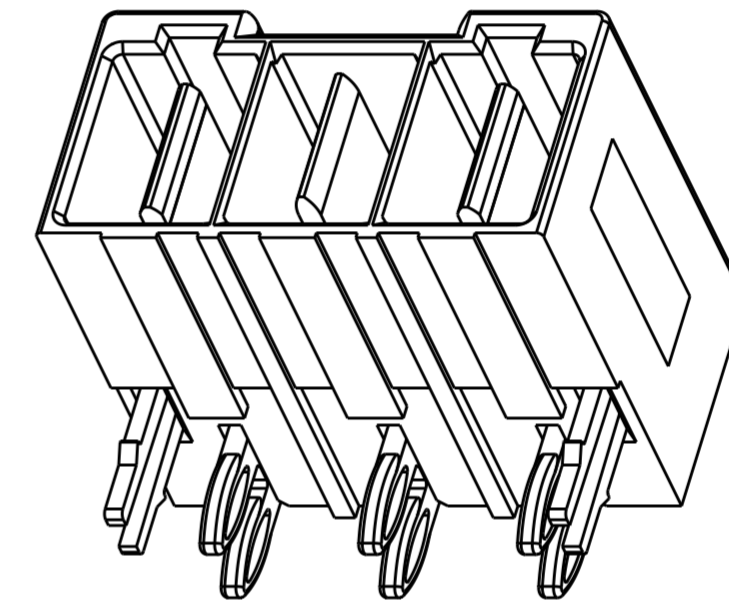
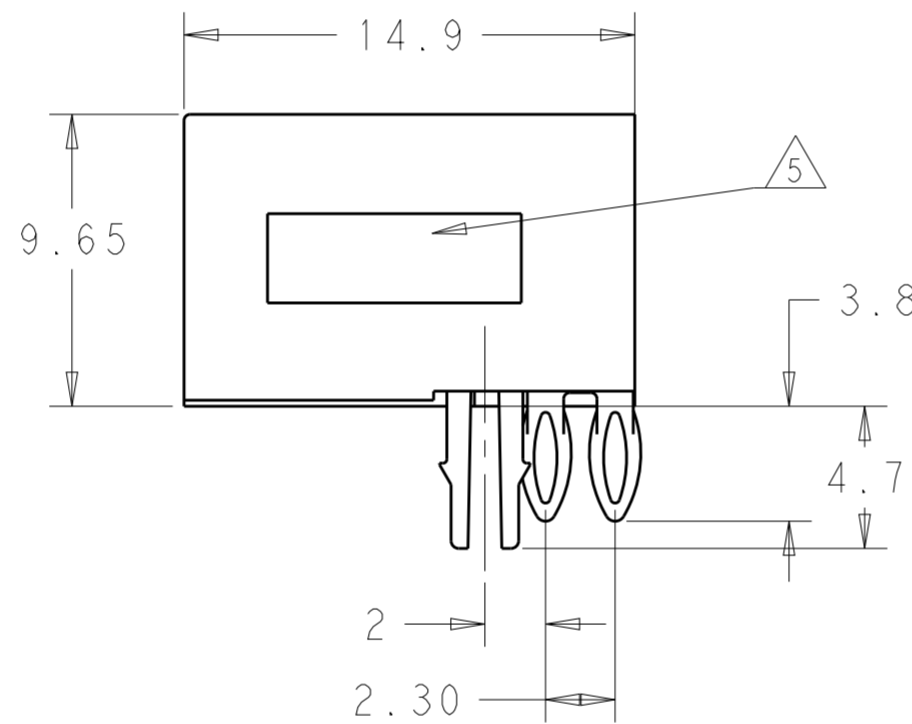
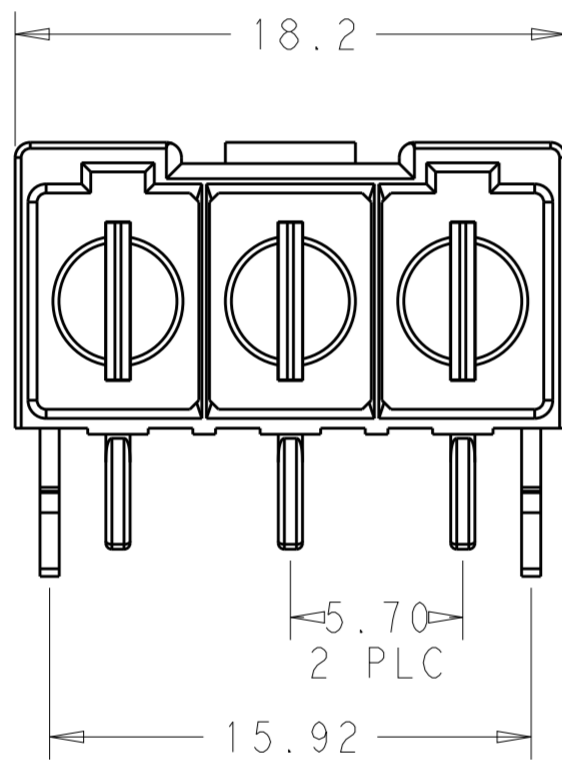
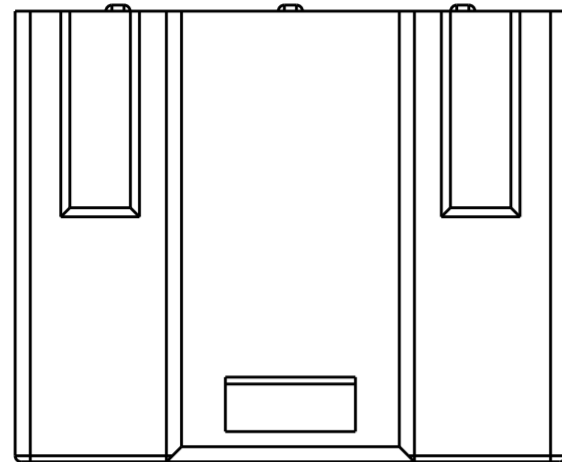
1 MATERIAL:
 HOUSING: LCP BLACK, UL94V-0; CONTACT AND RETENTION CLIP: COPPER ALLOY

2 PLATING:
 POWER CONTACT: SILVER AT CONTACT AREA OVER NICKEL PLATED ALL OVER
 RETENTION CLIP: TIN PLATED OVER NICKEL PLATED

3 DATUM AND BASIC DIMENSIONS ESTABLISHED BY CUSTOMER

4 UNPLATED THROUGH HOLE; THE RECOMMENDED HOLE SIZE IS 2.75MM OR 2.65MM.

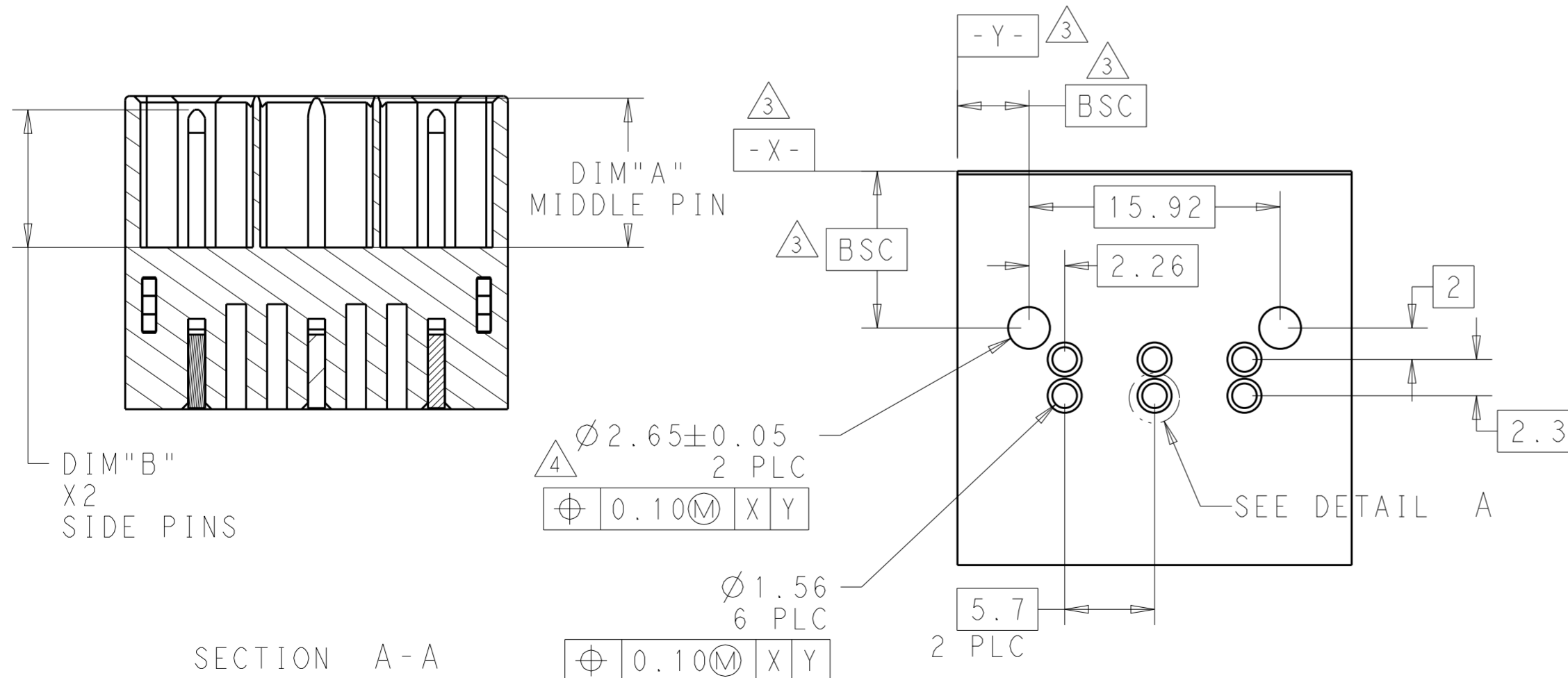
5 "TE", PART NUMBER AND DATECODE TO BE MARKED IN AREA SHOWN



2204581-2 IS SHOWN

Ø1.56±0.05
 FINISH HOLE SIZE
 DRILL HOLE SIZE : 1.72±0.02
 COPPER PLATE: 0.025 MIN. PER SURFACE
 TIN PLATE: 0.008MIN. PER SURFACE

DETAIL A
 SCALE 10:1



5.6	5.6	NO	2204581-2
6.55	7.1	YES	2204581-1
DIM "B"	DIM "A"	PROBE PROOF(SIDE PINS)	PART NUMBER

THIS DRAWING IS A CONTROLLED DOCUMENT.		DWN ORANDO LI 28APR2016	TE Connectivity	
DIMENSIONS: mm		CHK SUNY ZHAO 28APR2016	NAME ELCON Mini, 3-position header right-angle, press-fit type	
TOLERANCES UNLESS OTHERWISE SPECIFIED:		APVD SUNY ZHAO 28APR2016	SIZE A2	
0 PLC	±0.25	PRODUCT SPEC	CAGE CODE -	
1 PLC	±0.15	108-128027	DRAWING NO C-2204581	
2 PLC	±0.1	APPLICATION SPEC	RESTRICTED TO -	
3 PLC	±	114-128029	SCALE 4:1 SHEET 1 OF 1 REV B	
4 PLC	±	WEIGHT -		
ANGLES	±	CUSTOMER DRAWING		
FINISH	-			