



Chipsmall Limited consists of a professional team with an average of over 10 year of expertise in the distribution of electronic components. Based in Hongkong, we have already established firm and mutual-benefit business relationships with customers from,Europe,America and south Asia,supplying obsolete and hard-to-find components to meet their specific needs.

With the principle of “Quality Parts,Customers Priority,Honest Operation,and Considerate Service”,our business mainly focus on the distribution of electronic components. Line cards we deal with include Microchip,ALPS,ROHM,Xilinx,Pulse,ON,Everlight and Freescale. Main products comprise IC,Modules,Potentiometer,IC Socket,Relay,Connector.Our parts cover such applications as commercial,industrial, and automotives areas.

We are looking forward to setting up business relationship with you and hope to provide you with the best service and solution. Let us make a better world for our industry!



Contact us

Tel: +86-755-8981 8866 Fax: +86-755-8427 6832

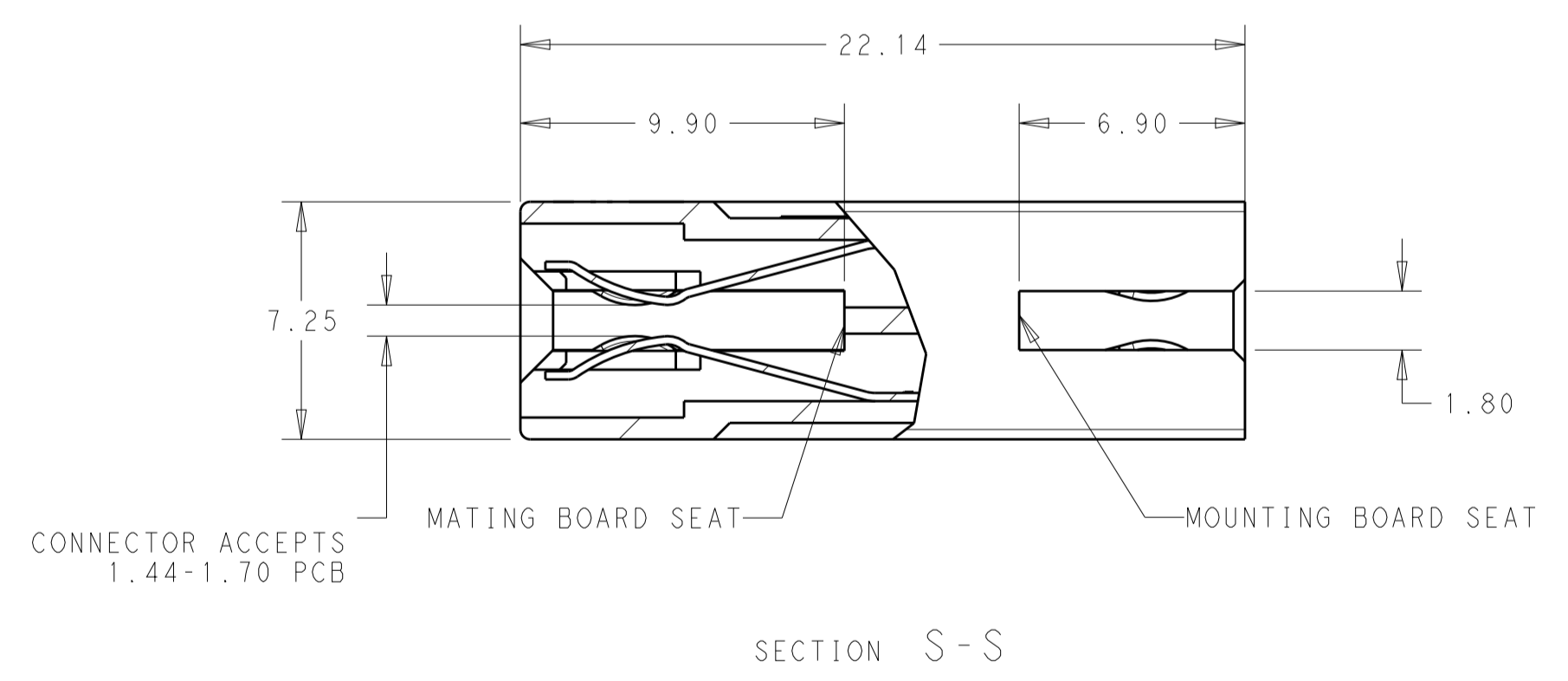
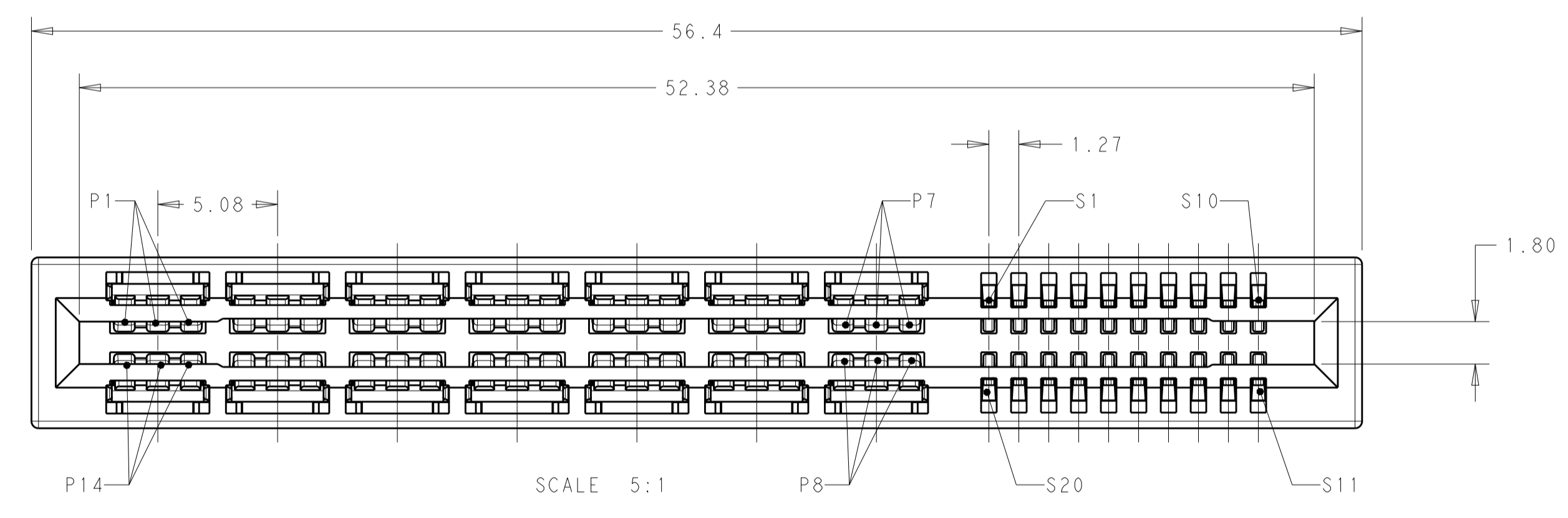
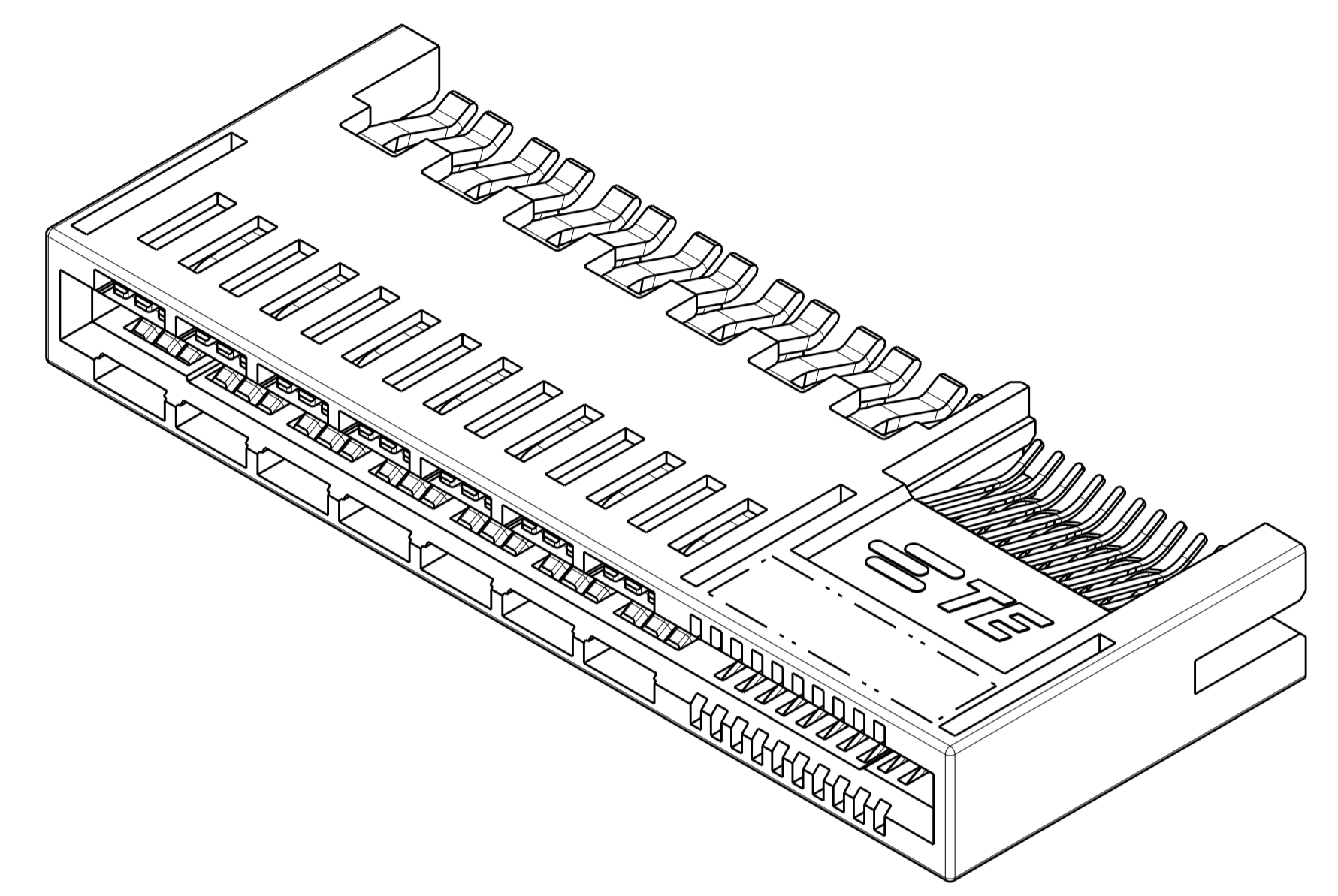
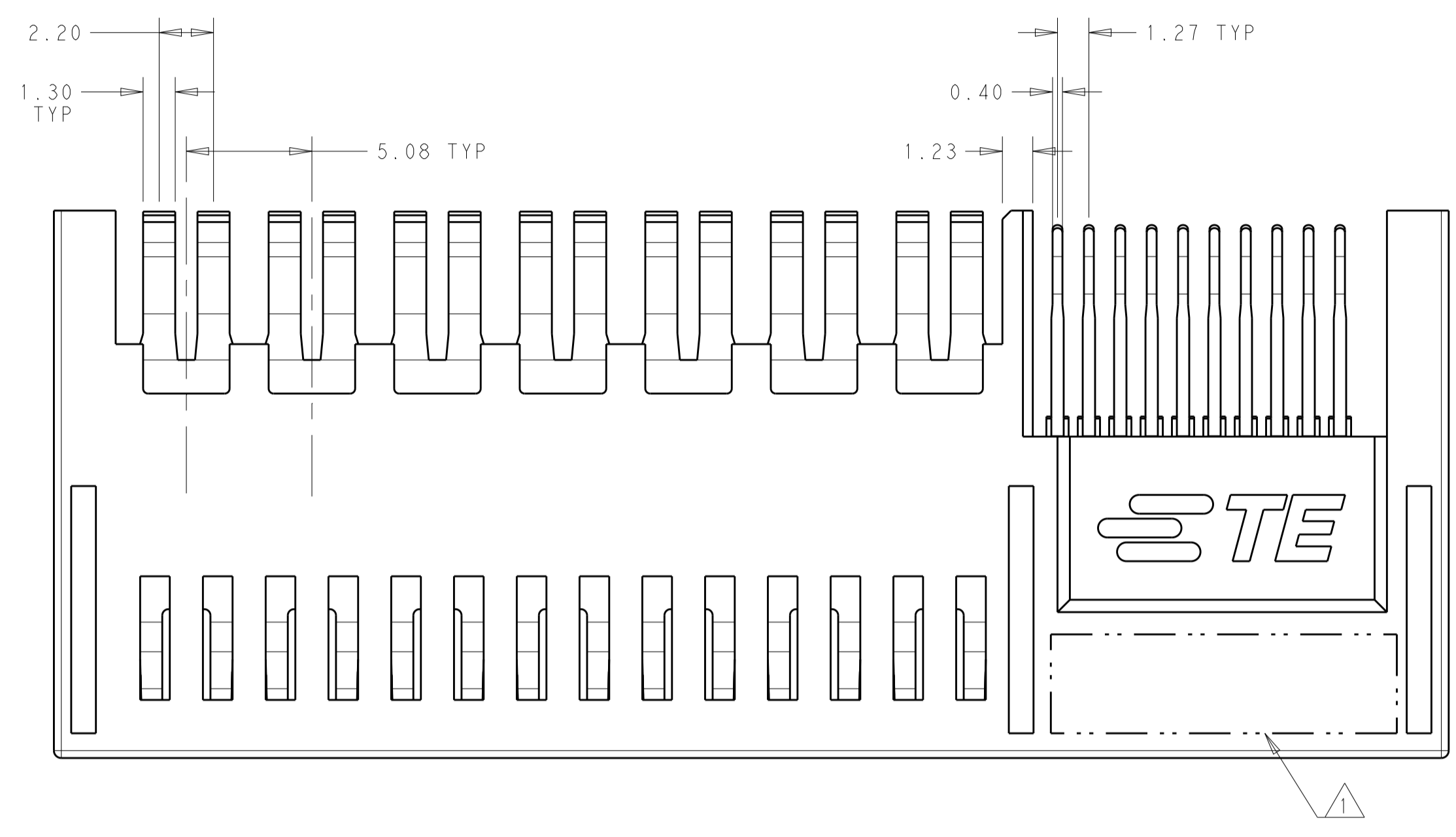
Email & Skype: info@chipsmall.com Web: www.chipsmall.com

Address: A1208, Overseas Decoration Building, #122 Zhenhua RD., Futian, Shenzhen, China



REVISIONS				
P	LTN	DESCRIPTION	DATE	APVD
A		FIRST RELEASE	12NOV2017	SZ SZ

- 1 PART NUMBER, AND DATE CODE TO BE MARKED IN AREA SHOWN
- 2 MATERIAL: HOUSING - GLASS FILLED HIGH TEMP THERMO PLASTIC
 SIGNAL CONTACT - COPPER ALLOY
 POWER CONTACT - HIGH CONDUCTIVITY COPPER ALLOY
- 3 CONTACT PLATING: NOBLE METAL PLATING ON CONTACT FUNCTIONAL AREA OF POWER AND SIGNAL CONTACTS
- 4 DATUM AND BASIC DIMENSIONS ESTABLISHED BY CUSTOMER



PART NUMBER 2204798-1

THIS DRAWING IS A CONTROLLED DOCUMENT.		DWN: SEAN_ZHANG 30OCT2016	TE Connectivity	
DIMENSIONS: mm		CHK: SUNYI_ZHAO 24JAN2017	NAME: HIGH CURRENT SUPER CARD EDGE	
TOLERANCES UNLESS OTHERWISE SPECIFIED:		APVD: SUNYI_ZHAO 24JAN2017	PRODUCT SPEC: 108-128053	
0 PLC ±		APPLICATION SPEC: 114-128056	SIZE: A1	
1 PLC ±0.5		WEIGHT: -	CAGE CODE: -	
2 PLC ±0.25		CUSTOMER DRAWING	SCALE: 2:1	
3 PLC ±			SHEET 1 OF 2	
4 PLC ±			REV A	
ANGLES ±				
FINISH				

