



Chipsmall Limited consists of a professional team with an average of over 10 year of expertise in the distribution of electronic components. Based in Hongkong, we have already established firm and mutual-benefit business relationships with customers from,Europe,America and south Asia,supplying obsolete and hard-to-find components to meet their specific needs.

With the principle of “Quality Parts,Customers Priority,Honest Operation,and Considerate Service”,our business mainly focus on the distribution of electronic components. Line cards we deal with include Microchip,ALPS,ROHM,Xilinx,Pulse,ON,Everlight and Freescale. Main products comprise IC,Modules,Potentiometer,IC Socket,Relay,Connector.Our parts cover such applications as commercial,industrial, and automotives areas.

We are looking forward to setting up business relationship with you and hope to provide you with the best service and solution. Let us make a better world for our industry!



Contact us

Tel: +86-755-8981 8866 Fax: +86-755-8427 6832

Email & Skype: info@chipsmall.com Web: www.chipsmall.com

Address: A1208, Overseas Decoration Building, #122 Zhenhua RD., Futian, Shenzhen, China



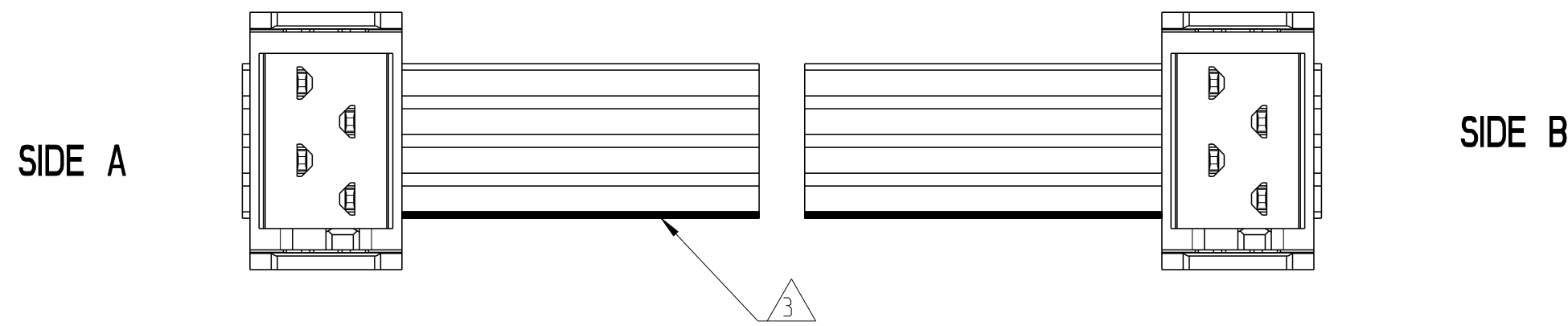
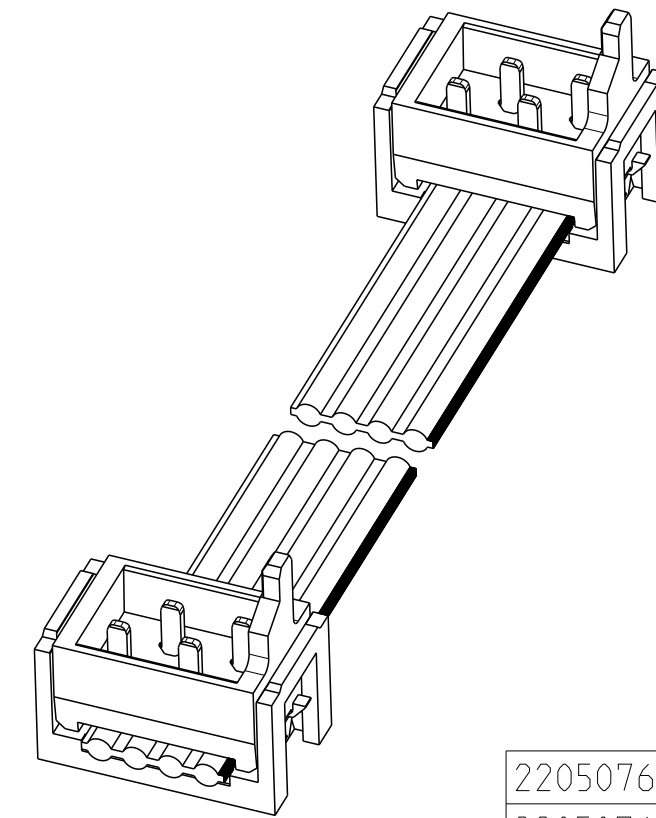
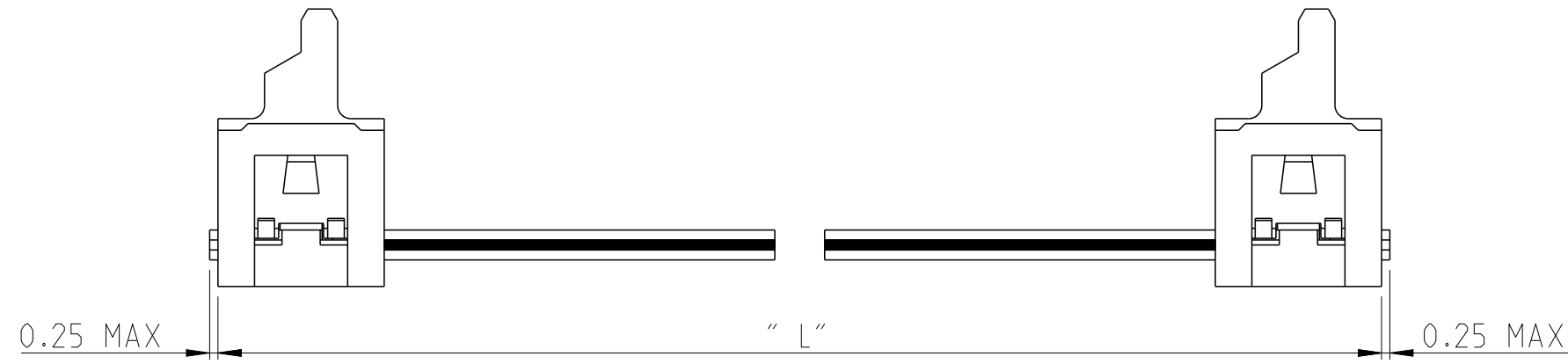
THIS DRAWING IS UNPUBLISHED. RELEASED FOR PUBLICATION 20
 © COPYRIGHT 20 BY - ALL RIGHTS RESERVED.

REVISIONS					
P	LTR	DESCRIPTION	DATE	DWN	APVD
	A	INITIAL RELEASE	16DEC2013	KR	BvH
	A1	ECR-15-004403	28MAR2015	GSK	BvH
	B	ECR-15-014781	08OCT2015	TB	BVH

NOTES:

- 1 ASSEMBLIES TO BE TESTED FOR 100% CONTINUITY
- 2 ASSEMBLIES ARE PACKAGED ACCORDING PACKAGING SPEC 107-19582
- 3 RED MARKED CORRESPONDS TO PIN 1
- 4 FOR MOW TO PB SEE 2205068

SCALE : 4:1



2205060-X (4 POSITION CABLE ASSEMBLY) AS SHOWN

TE PN	POS	LENGTH	DESCRIPTION
2205076-3	20	200	CA MICRO-MATCH MOW -MOW 20POS
2205076-2	20	150	CA MICRO-MATCH MOW -MOW 20POS
2205076-1	20	75	CA MICRO-MATCH MOW -MOW 20POS
2205067-3	18	200	CA MICRO-MATCH MOW -MOW 18POS
2205067-2	18	150	CA MICRO-MATCH MOW -MOW 18POS
2205067-1	18	75	CA MICRO-MATCH MOW -MOW 18POS
2205066-3	16	200	CA MICRO-MATCH MOW -MOW 16POS
2205066-2	16	150	CA MICRO-MATCH MOW -MOW 16POS
2205066-1	16	75	CA MICRO-MATCH MOW -MOW 16POS
2205065-3	14	200	CA MICRO-MATCH MOW -MOW 14POS
2205065-2	14	150	CA MICRO-MATCH MOW -MOW 14POS
2205065-1	14	75	CA MICRO-MATCH MOW -MOW 14POS
2205064-3	12	200	CA MICRO-MATCH MOW -MOW 12POS
2205064-2	12	150	CA MICRO-MATCH MOW -MOW 12POS
2205064-1	12	75	CA MICRO-MATCH MOW -MOW 12POS
2205063-3	10	200	CA MICRO-MATCH MOW -MOW 10POS
2205063-2	10	150	CA MICRO-MATCH MOW -MOW 10POS
2205063-1	10	75	CA MICRO-MATCH MOW -MOW 10POS
2205062-3	8	200	CA MICRO-MATCH MOW -MOW 8POS
2205062-2	8	150	CA MICRO-MATCH MOW -MOW 8POS
2205062-1	8	75	CA MICRO-MATCH MOW -MOW 8POS
2205061-3	6	200	CA MICRO-MATCH MOW -MOW 6POS
2205061-2	6	150	CA MICRO-MATCH MOW -MOW 6POS
2205061-1	6	75	CA MICRO-MATCH MOW -MOW 6POS
2205060-3	4	200	CA MICRO-MATCH MOW -MOW 4POS
2205060-2	4	150	CA MICRO-MATCH MOW -MOW 4POS
2205060-1	4	75	CA MICRO-MATCH MOW -MOW 4POS

THIS DRAWING IS A CONTROLLED DOCUMENT.

DWN 13DEC2013 RAGHAVENDRA K
 CHK 23DEC2013 B. VELDHOVEN
 APVD 23DEC2013 G. DOREMALEN VAN

STE TE Connectivity

NAME: CABLE ASSY MICRO-MATCH MOW -MOW

PRODUCT SPEC: -
 APPLICATION SPEC: -
 WEIGHT: -

MATERIAL: -

SIZE: A2 CAGE CODE: - DRAWING NO: C-2205060 RESTRICTED TO: -

Customer Drawing SCALE: 5:1 SHEET: 1 OF 1 REV: B