



Chipsmall Limited consists of a professional team with an average of over 10 year of expertise in the distribution of electronic components. Based in Hongkong, we have already established firm and mutual-benefit business relationships with customers from,Europe,America and south Asia,supplying obsolete and hard-to-find components to meet their specific needs.

With the principle of "Quality Parts,Customers Priority,Honest Operation,and Considerate Service",our business mainly focus on the distribution of electronic components. Line cards we deal with include Microchip,ALPS,ROHM,Xilinx,Pulse,ON,Everlight and Freescale. Main products comprise IC,Modules,Potentiometer,IC Socket,Relay,Connector.Our parts cover such applications as commercial,industrial, and automotives areas.

We are looking forward to setting up business relationship with you and hope to provide you with the best service and solution. Let us make a better world for our industry!



Contact us

Tel: +86-755-8981 8866 Fax: +86-755-8427 6832

Email & Skype: info@chipsmall.com Web: www.chipsmall.com

Address: A1208, Overseas Decoration Building, #122 Zhenhua RD., Futian, Shenzhen, China



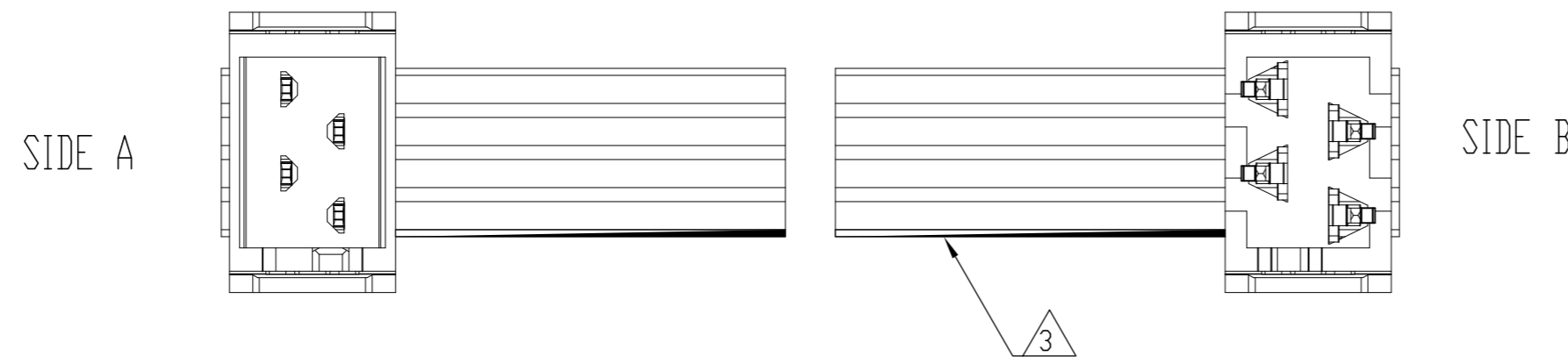
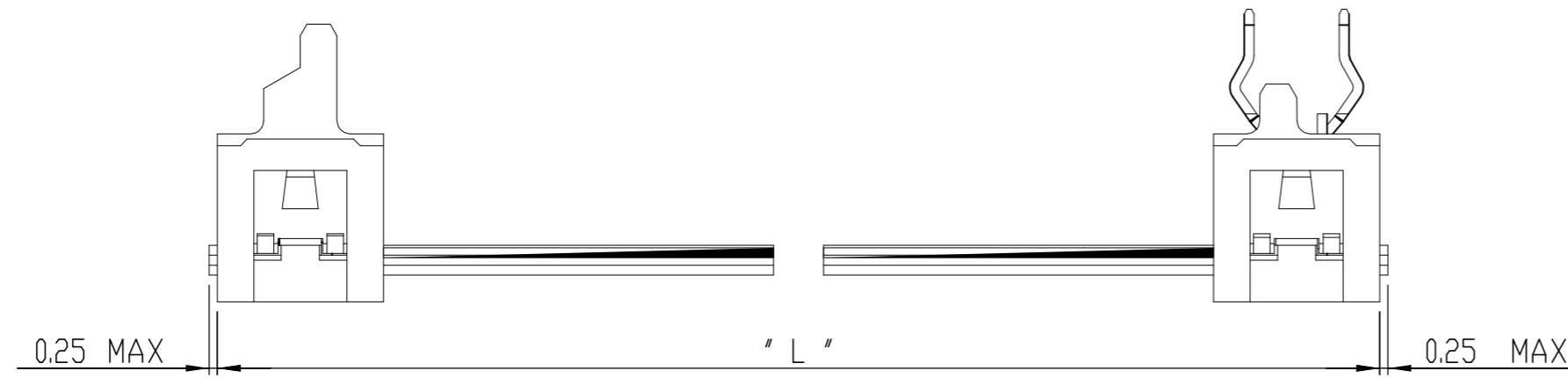
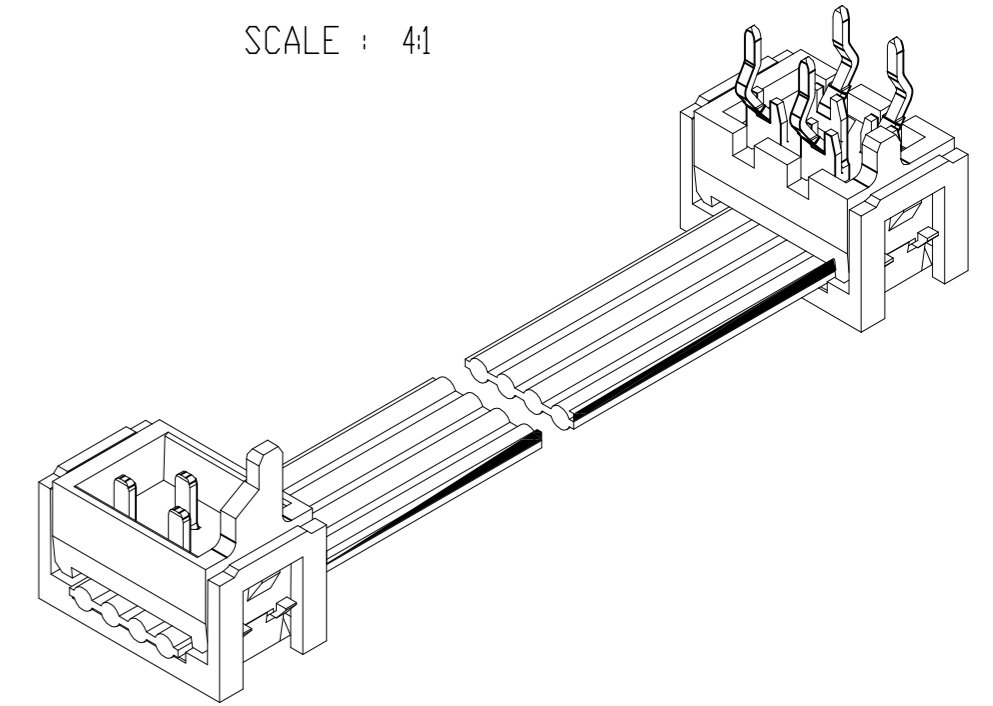
THIS DRAWING IS UNPUBLISHED. RELEASED FOR PUBLICATION 20
 © COPYRIGHT 20 BY - ALL RIGHTS RESERVED.

NOTES:

- 1 ASSEMBLIES TO BE TESTED FOR 100% CONTINUITY
- 2 ASSEMBLIES ARE PACKAGED ACCORDING PACKAGING SPEC 107-19582
- 3 RED MARKED CORRESPONDS TO PIN 1
- 4 FOR MDW TO MDW SEE 2205060

REVISIONS					
P	LTR	DESCRIPTION	DATE	DWN	APVD
A		INITIAL RELEASE	16DEC2013	KR	BvH
B		ECR-15-015452	21OCT2015	TB	BvH

SCALE : 4:1



2205068-X (4 POSITION CABLE ASSEMBLY) AS SHOWN

TE PN	POS	LENGTH	DESCRIPTION
2205077-3	20	200	CA MICRO-MATCH MDW-PB 20POS
2205077-2	20	150	CA MICRO-MATCH MDW-PB 20POS
2205077-1	20	70	CA MICRO-MATCH MDW-PB 20POS
2205075-3	18	200	CA MICRO-MATCH MDW-PB 18POS
2205075-2	18	150	CA MICRO-MATCH MDW-PB 18POS
2205075-1	18	70	CA MICRO-MATCH MDW-PB 18POS
2205074-3	16	200	CA MICRO-MATCH MDW-PB 16POS
2205074-2	16	150	CA MICRO-MATCH MDW-PB 16POS
2205074-1	16	70	CA MICRO-MATCH MDW-PB 16POS
2205073-3	14	200	CA MICRO-MATCH MDW-PB 14POS
2205073-2	14	150	CA MICRO-MATCH MDW-PB 14POS
2205073-1	14	70	CA MICRO-MATCH MDW-PB 14POS
2205072-3	12	200	CA MICRO-MATCH MDW-PB 12POS
2205072-2	12	150	CA MICRO-MATCH MDW-PB 12POS
2205072-1	12	70	CA MICRO-MATCH MDW-PB 12POS
2205071-3	10	200	CA MICRO-MATCH MDW-PB 10POS
2205071-2	10	150	CA MICRO-MATCH MDW-PB 10POS
2205071-1	10	70	CA MICRO-MATCH MDW-PB 10POS
2205070-3	8	200	CA MICRO-MATCH MDW-PB 8POS
2205070-2	8	150	CA MICRO-MATCH MDW-PB 8POS
2205070-1	8	70	CA MICRO-MATCH MDW-PB 8POS
2205069-3	6	200	CA MICRO-MATCH MDW-PB 6POS
2205069-2	6	150	CA MICRO-MATCH MDW-PB 6POS
2205069-1	6	70	CA MICRO-MATCH MDW-PB 6POS
2205068-3	4	200	CA MICRO-MATCH MDW-PB 4POS
2205068-2	4	150	CA MICRO-MATCH MDW-PB 4POS
2205068-1	4	70	CA MICRO-MATCH MDW-PB 4POS

THIS DRAWING IS A CONTROLLED DOCUMENT.

DIMENSIONS:	TOLERANCES UNLESS OTHERWISE SPECIFIED:
M/M	0 PLC ±
	1 PLC ±
	2 PLC ±
	3 PLC ±
	4 PLC ±
	ANGLES ±
	FINISH -

DWN K. RAGHAVENDRA 13DEC2013	 TE Connectivity NAME CABLE ASSY MICRO-MATCH MDW-PB - - SIZE A2 CAGE CODE - DRAWING NO C-2205068 RESTRICTED TO - SCALE 5:1 SHEET 1 OF 1 REV B
CHK B. VELDHOFEN 23DEC2013	
APVD G. DOREMALLEN VAN 23DEC2013	
PRODUCT SPEC - APPLICATION SPEC - WEIGHT -	
Customer Drawing	