



Chipsmall Limited consists of a professional team with an average of over 10 year of expertise in the distribution of electronic components. Based in Hongkong, we have already established firm and mutual-benefit business relationships with customers from,Europe,America and south Asia,supplying obsolete and hard-to-find components to meet their specific needs.

With the principle of “Quality Parts,Customers Priority,Honest Operation,and Considerate Service”,our business mainly focus on the distribution of electronic components. Line cards we deal with include Microchip,ALPS,ROHM,Xilinx,Pulse,ON,Everlight and Freescale. Main products comprise IC,Modules,Potentiometer,IC Socket,Relay,Connector.Our parts cover such applications as commercial,industrial, and automotives areas.

We are looking forward to setting up business relationship with you and hope to provide you with the best service and solution. Let us make a better world for our industry!



Contact us

Tel: +86-755-8981 8866 Fax: +86-755-8427 6832

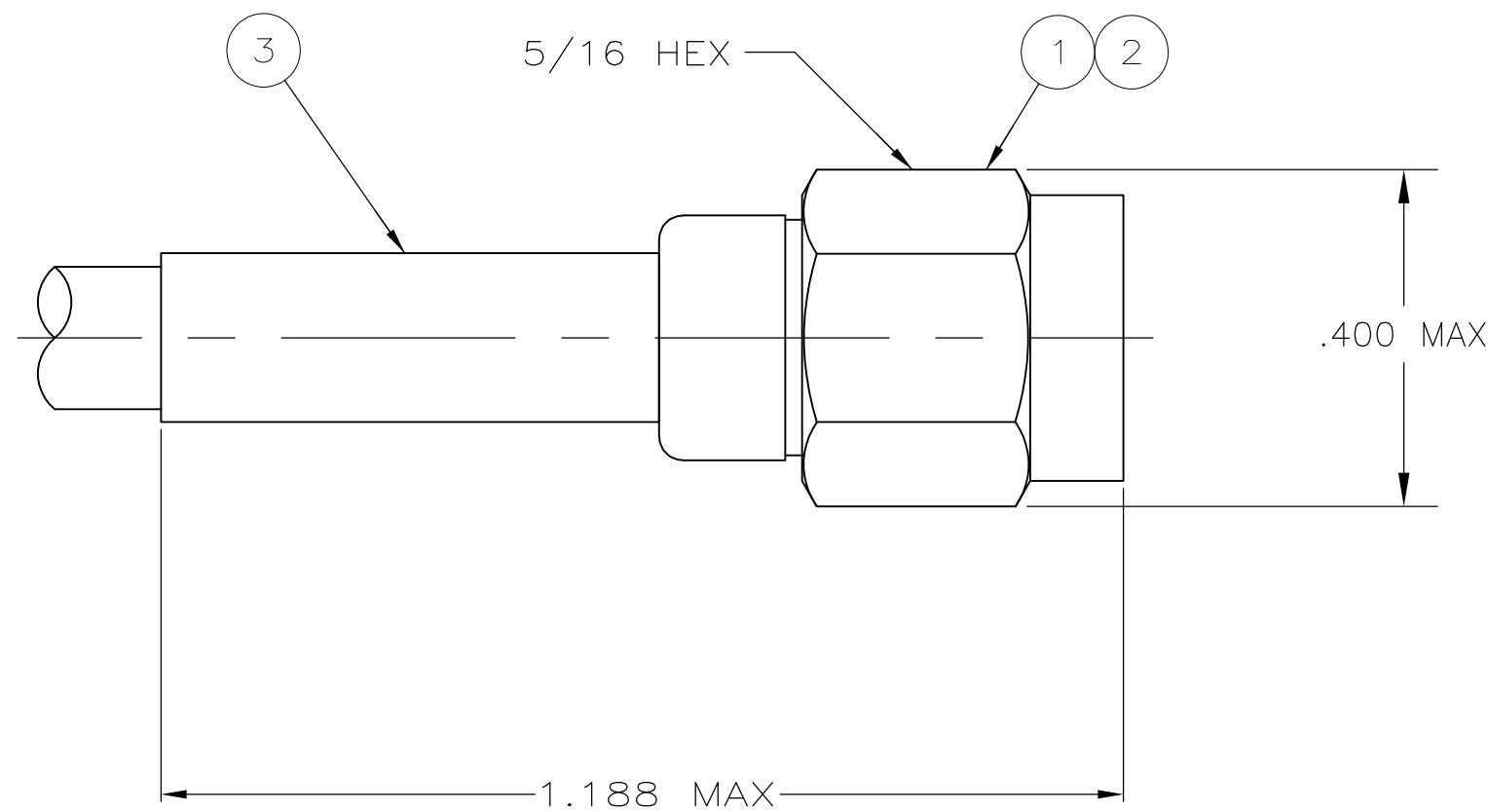
Email & Skype: info@chipsmall.com Web: www.chipsmall.com

Address: A1208, Overseas Decoration Building, #122 Zhenhua RD., Futian, Shenzhen, China

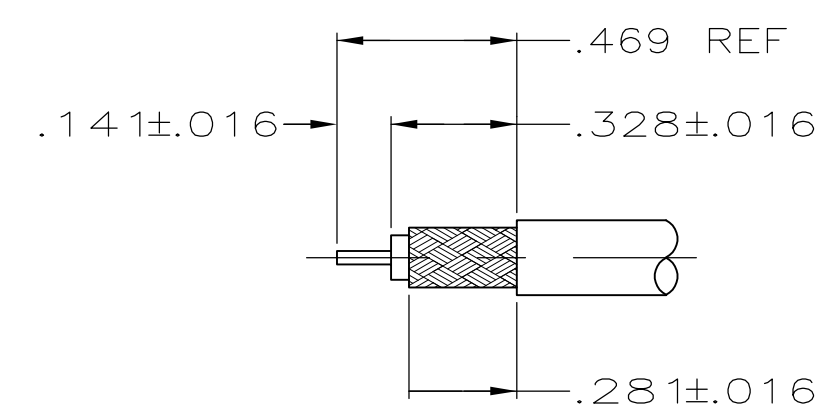


THIS DRAWING IS UNPUBLISHED. RELEASED FOR PUBLICATION
 © COPYRIGHT BY TYCO ELECTRONICS CORPORATION. ALL RIGHTS RESERVED.

LOC	DIST	REVISIONS					
DF	X0	P	LTR	DESCRIPTION	DATE	DWN	APVD
		C		REVISED PER ECO-07-007761	27APR07	PY	DW



1. CRIMP WITH TOOL: 220061-1



RECOMMENDED STRIP LENGTH
SCALE: 2:1

LEAD FREE VERSION OF 221117-1	2322	RG-142/U,142A/U,142B/U	225618-5	225540-7	221118-1	5-221117-1
LEAD FREE VERSION OF 221117-2	9161	RG-188/U,188A/U,174/U,316/U	9-50285-0	225540-8	221118-2	221117-4
	OBSOLETE	MOTOROLA C01, RG-188/U DBL BRAID CABLE	50285-8	225540-8	221118-2	221117-3
	9161	RG-188/U,188A/U,174/U,316/U	50285-7	225540-8	221118-2	221117-2
	2322	RG-142/U,142A/U,142B/U	225618-3	225540-7	221118-1	221117-1
IS SHEET		CABLE SIZE	③ FERRULE QTY = 1	② CONTACT QTY = 1	① PLUG ASSY QTY = 1	PART NUMBER

THIS DRAWING IS A CONTROLLED DOCUMENT.

DWN	C.C.THOMAS	10-20-03
CHK	F.BLASICK	10-20-03
APVD	-	-
NAME	Tyco Electronics Corporation Harrisburg, PA 17105-3608	
PRODUCT SPEC	108-12027	
APPLICATION SPEC	-	
WEIGHT	.134 OZ	A2 00779 C=221117
CUSTOMER DRAWING	SCALE 5:1	SHEET 1 of 1