



Chipsmall Limited consists of a professional team with an average of over 10 year of expertise in the distribution of electronic components. Based in Hongkong, we have already established firm and mutual-benefit business relationships with customers from,Europe,America and south Asia,supplying obsolete and hard-to-find components to meet their specific needs.

With the principle of “Quality Parts,Customers Priority,Honest Operation,and Considerate Service”,our business mainly focus on the distribution of electronic components. Line cards we deal with include Microchip,ALPS,ROHM,Xilinx,Pulse,ON,Everlight and Freescale. Main products comprise IC,Modules,Potentiometer,IC Socket,Relay,Connector.Our parts cover such applications as commercial,industrial, and automotives areas.

We are looking forward to setting up business relationship with you and hope to provide you with the best service and solution. Let us make a better world for our industry!



Contact us

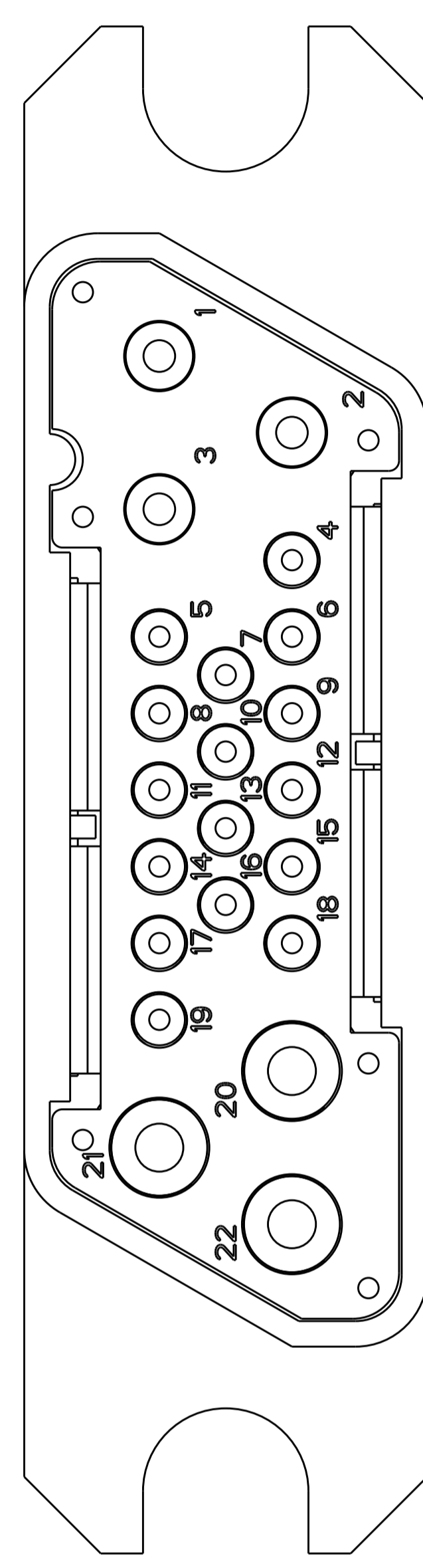
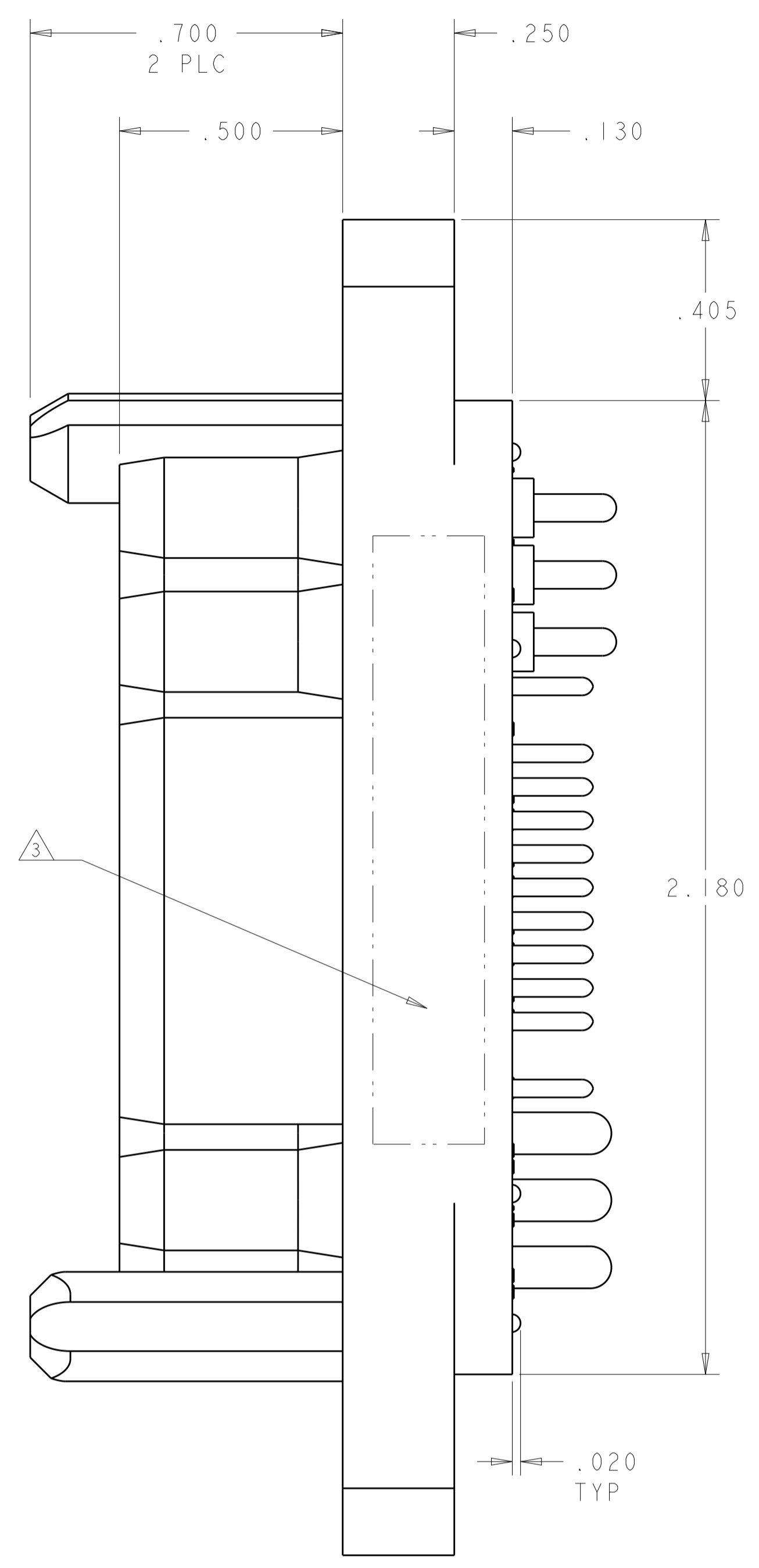
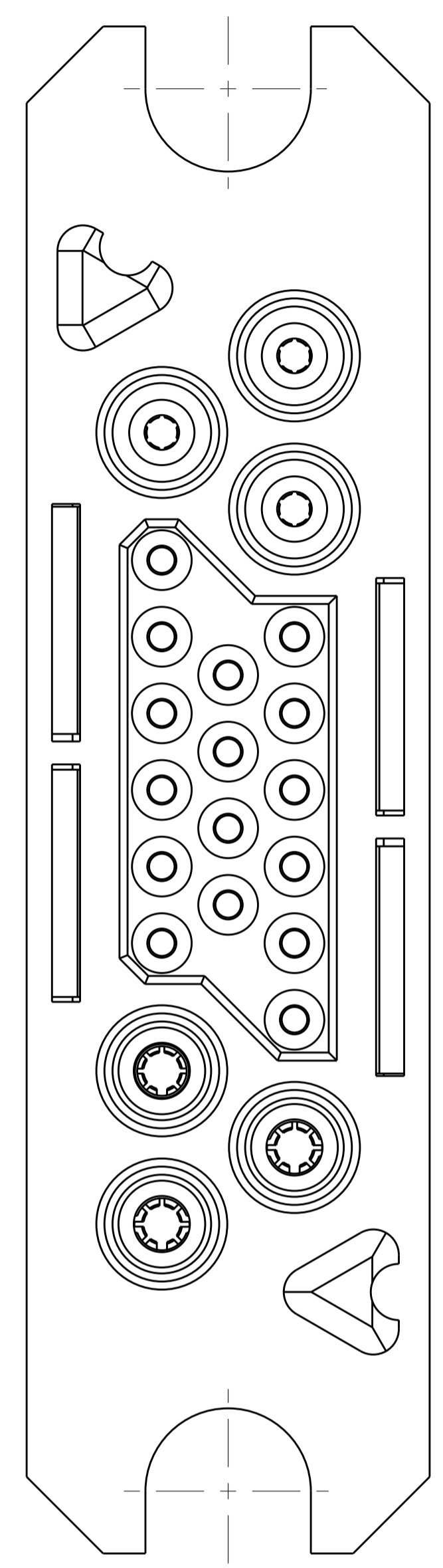
Tel: +86-755-8981 8866 Fax: +86-755-8427 6832

Email & Skype: info@chipsmall.com Web: www.chipsmall.com

Address: A1208, Overseas Decoration Building, #122 Zhenhua RD., Futian, Shenzhen, China



LOC		DIST		REVISIONS			
P	LTN	DESCRIPTION	DATE	DWN	APVD	BM	DO
A		RELEASED	27JUL2012	BM	DO		



REAR VIEW

SOCKET CONTACT (E)
 SIZE #16
 POSN. #1 THRU 3

SOCKET CONTACT (B)
 SIZE #20
 POSN. #4 THRU 19

SOCKET CONTACT (C)
 SIZE #12 (6648374)
 POSN. #20

SOCKET CONTACT (D)
 SIZE #12 (1648387)
 POSN. #21 THRU 22

- PART NUMBER CHANGES AND OR DESIGN CHANGES AFFECTING THE INTERCHANGEABILITY REQUIRE PRIOR TYCO APPROVAL AND AUTHORIZATION BY REVISION TO THIS DRAWING.
- MATERIAL:
 INSULATOR: THERMOPLASTIC, GLASS REINFORCED, UL 94V-0
 FLAMMABILITY RATED, COLOR: BLACK
 CONTACT: BRASS ALLOY
 CROWN BAND: BERYLLIUM COPPER
 RETENTION CLIP: BERYLLIUM COPPER
- FINISH:
 CONTACTS SIZE #12 : SILVER .000200" MIN. THK. OVER NICKEL .000040" MIN THK.
 CONTACTS SIZE #16: SILVER .000200" MIN. THK. OVER NICKEL .000040" MIN. THK.
 CONTACTS SIZE #20 : GOLD .000010" MIN. THK. OVER NICKEL .000040" MIN THK.
 CROWN BAND: GOLD (IN CONTACT AREA).000030" MIN. THK. OVER NICKEL .000040" MIN THK.

3 ITEMS PROVIDED TO THIS SPECIFICATION TO BE PERMANENTLY IDENTIFIED PER THE FOLLOWING IDENTIFIER:
 YEAR [] [] WEEK

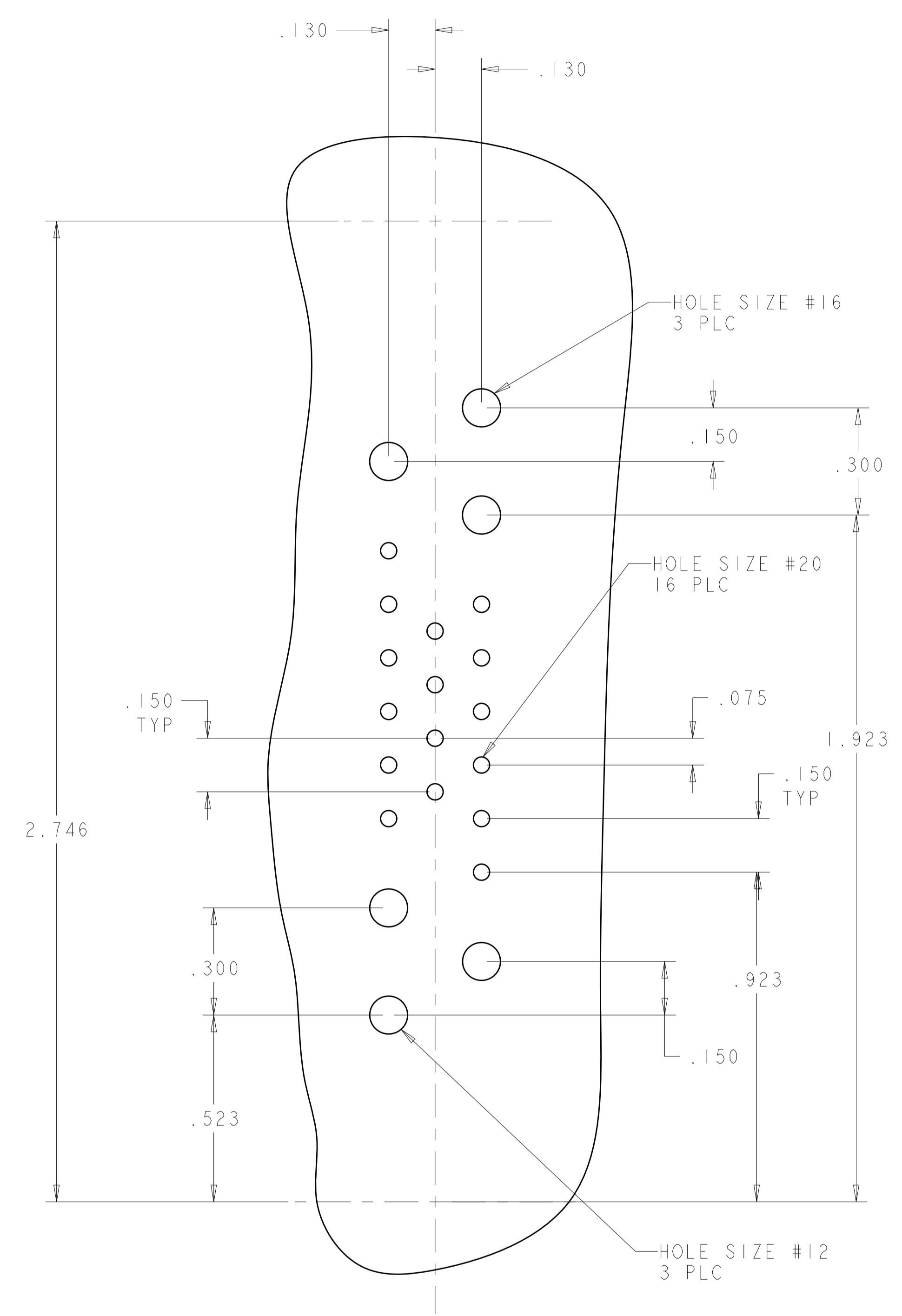
TYCO | PART NO. DATE | CODE (e.g. 0529)
 XXXXXX-X XXXXX

5 PCB TAIL CONTACTS ARE INSERTABLE/ NON-REMOVABLE

AS SHOWN	2212041-1
DESCRIPTION	PART NUMBER

THIS DRAWING IS A CONTROLLED DOCUMENT.		DWN: B. MATTHEWS 27JUL2012	TE Connectivity
DIMENSIONS: INCHES		CHK: D. ORRIS 27JUL2012	
TOLERANCES UNLESS OTHERWISE SPECIFIED:		APVD: D. ORRIS 27JUL2012	NAME: CONNECTOR ASSEMBLY, SOCKET WITH PCB TAILS
0 PLC ±	1 PLC ±.02	PRODUCT SPEC	SIZE: A1
2 PLC ±.02	3 PLC ±.010	APPLICATION SPEC	CAGE CODE: 00779
4 PLC ±	ANGLES ±	RESTRICTED TO	DRAWING NO: 2212041
MATERIAL: -	FINISH: -	WEIGHT: -	Customer Drawing
SCALE: 3:1		SHEET: 1 OF 2	REV: A

LOC	DIST	REVISIONS			
P	LTN	DESCRIPTION	DATE	DMN	APVD
GP	00	SEE SHEET 1			



PRINTED CIRCUIT BOARD LAYOUT
 VIEW FROM CONNECTOR MOUNTING SIDE

HOLE SIZE #12
 FINISHED HOLE: $\varnothing .104 \pm .003$
 DRILLED HOLE: $\varnothing .106 \pm .0005$
 COPPER PLATE: .0010 - .0020
 TIN PLATE: .0002 MIN THK.

HOLE SIZE #16
 FINISHED HOLE: $\varnothing .108 \pm .003$
 DRILLED HOLE: $\varnothing .1065 \pm .0005$
 COPPER PLATE: .0010 - .0020
 TIN PLATE: .0002 MIN THK.

HOLE SIZE #20
 FINISHED HOLE: $\varnothing .047 \pm .003$
 DRILLED HOLE: $\varnothing .0453 \pm .0005$
 COPPER PLATE: .0010 - .0020
 TIN PLATE: .0002 MIN THK.

3	6648383-1	CONTACT, SOCKET, SIZE #16, PCB TAIL	E
2	1648387-1	CONTACT, SOCKET, SIZE #12, PCB TAIL, HP	D
1	6648374-1	CONTACT, SOCKET, SIZE #12, PCB TAIL	C
16	1648382-1	CONTACT, SOCKET, SIZE #20, PCB TAIL	B
1	1648117-2	HOUSING, SOCKET, PCB MOUNT, NO LABEL	A
-1	PART NUMBER	DESCRIPTION	ITEM

THIS DRAWING IS A CONTROLLED DOCUMENT.		DMN: B. MATTHEWS 27JUL2012	TE Connectivity
DIMENSIONS: INCHES		CHK: D. ORRIS 27JUL2012	
		APVD: D. ORRIS 27JUL2012	NAME: CONNECTOR ASSEMBLY, SOCKET WITH PCB TAILS
TOLERANCES UNLESS OTHERWISE SPECIFIED:		PRODUCT SPEC	RESTRICTED TO
0 PLC ± 1 PLC ±.02 3 PLC ±.010 4 PLC ± ANGLES ±		APPLICATION SPEC	SIZE: A100779C=2212041
MATERIAL	FINISH	WEIGHT	SCALE: 3:1 SHEET 2 OF 2 REV A
Customer Drawing			