



Chipsmall Limited consists of a professional team with an average of over 10 year of expertise in the distribution of electronic components. Based in Hongkong, we have already established firm and mutual-benefit business relationships with customers from,Europe,America and south Asia,supplying obsolete and hard-to-find components to meet their specific needs.

With the principle of “Quality Parts,Customers Priority,Honest Operation,and Considerate Service”,our business mainly focus on the distribution of electronic components. Line cards we deal with include Microchip,ALPS,ROHM,Xilinx,Pulse,ON,Everlight and Freescale. Main products comprise IC,Modules,Potentiometer,IC Socket,Relay,Connector.Our parts cover such applications as commercial,industrial, and automotives areas.

We are looking forward to setting up business relationship with you and hope to provide you with the best service and solution. Let us make a better world for our industry!



Contact us

Tel: +86-755-8981 8866 Fax: +86-755-8427 6832

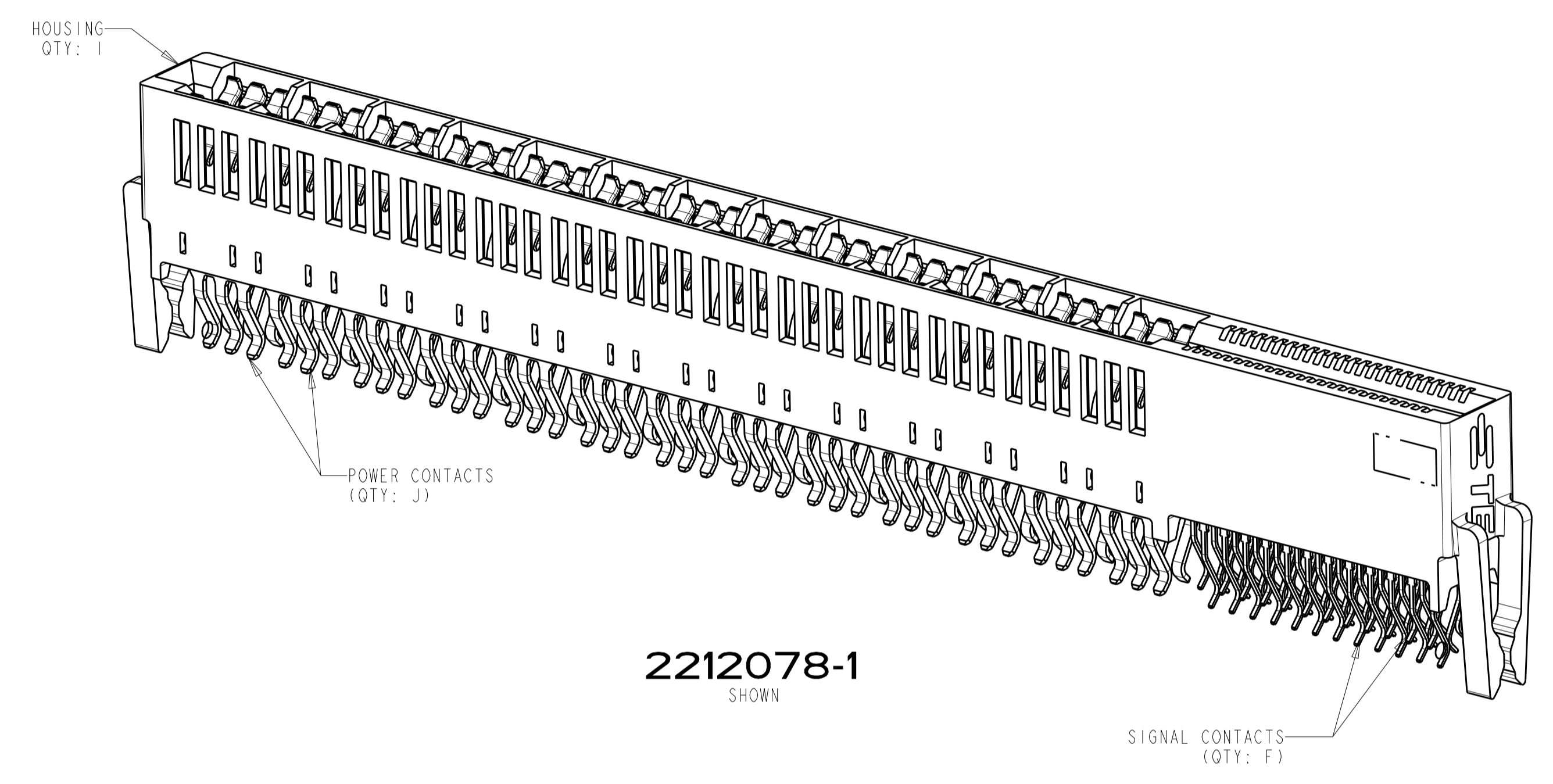
Email & Skype: info@chipsmall.com Web: www.chipsmall.com

Address: A1208, Overseas Decoration Building, #122 Zhenhua RD., Futian, Shenzhen, China



LOC	DIST	REVISIONS					
		P	LTN	DESCRIPTION	DATE	DWN	APVD
AA	00	A		FIRST RELEASE	25JUN2016	SZ	SZ

- MATERIAL: HOUSING - THERMOPLASTIC, GLASS REINFORCED, COLOR: BLACK
CONTACT - COPPER ALLOY
 - FINISH: CONTACT - GOLD PLATED OVER NICKEL.
SOLDER TAILS - MATTE TIN OVER NICKEL
3. CONNECTOR ASSEMBLY MARKED WITH PART NUMBER AND DATE CODE IN THE APPROXIMATE AREA SHOWN
4. DATUMS AND BASIC DIMENSIONS TO BE ESTABLISHED BY CUSTOMER



36.12	10.44	30.76	12	13.93	1.41	4	24.37	22	2	31.07	33.87	2 X 2 POWER 2 X 12 SIGNAL	2212078-5
65.16	24.96	59.80	12	28.45	15.93	12	53.41	22	10	60.11	62.91	2 X 6 POWER 2 X 12 SIGNAL	2212078-4
46.64	15.70	41.28	8	19.19	10.67	8	34.89	14	6	41.59	44.39	2 X 4 POWER 2 X 8 SIGNAL	2212078-3
28.12	6.44	22.76	4	9.93	5.41	4	16.37	6	2	23.07	25.87	2 X 2 POWER 2 X 4 SIGNAL	2212078-2
127.98	56.37	122.62	24	59.86	35.34	26	116.23	46	24	122.93	125.73	2 X 13 POWER X 2 X 24 SIGNAL	2212078-1
R	P	N	M	L	K	J	H	E	C	B	A	DESCRIPTION	PART NUMBER

THIS DRAWING IS A CONTROLLED DOCUMENT.

DWN: L.A. WENSEL 10DEC2012
 CHK: D. DEFIBAUGH 10DEC2012
 APVD: S. FLICKINGER 10DEC2012

STE TE Connectivity

NAME: CONNECTOR ASSEMBLY, MULTI-BEAM CE, POWER/SIGNAL, STRADDLE MOUNT

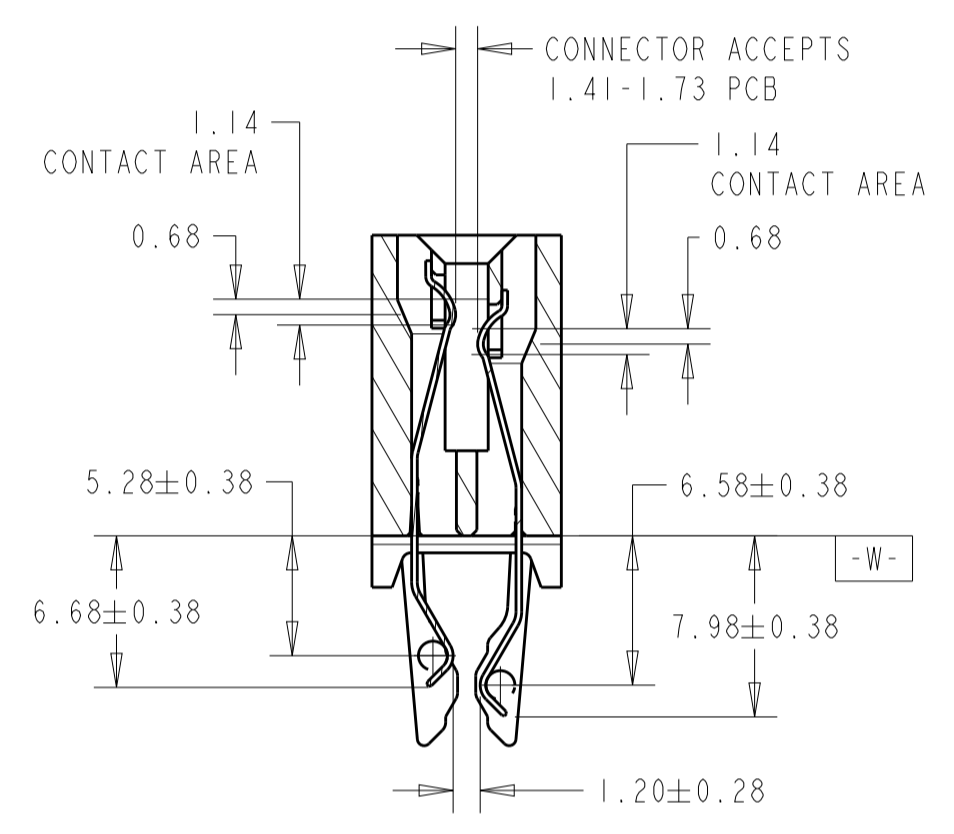
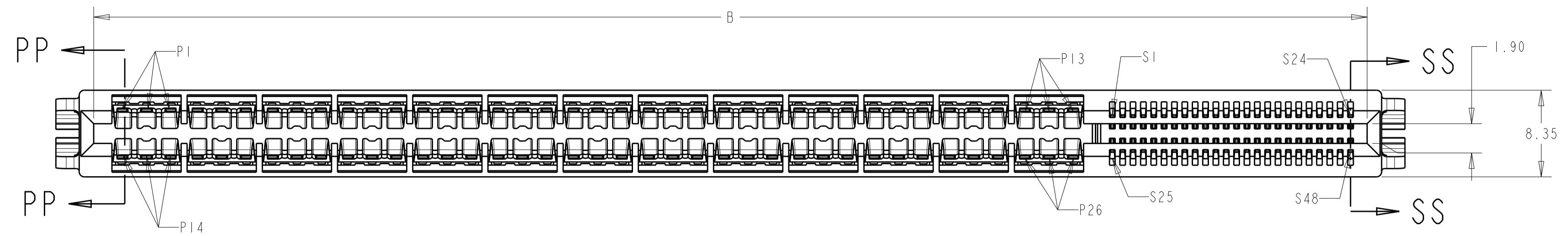
SIZE: A1 CAGE CODE: 00779 DRAWING NO: 2212078

SCALE: 1:1 SHEET 1 OF 3 REV A

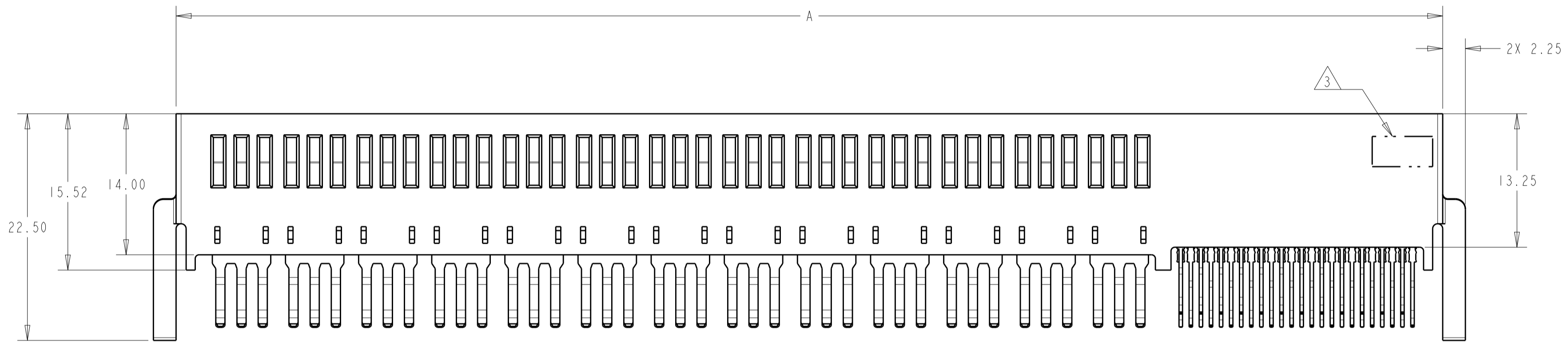
MATERIAL: SEE NOTE 1 FINISH: SEE NOTE 2

PRODUCT SPEC: APPLICATION SPEC: WEIGHT: CUSTOMER DRAWING

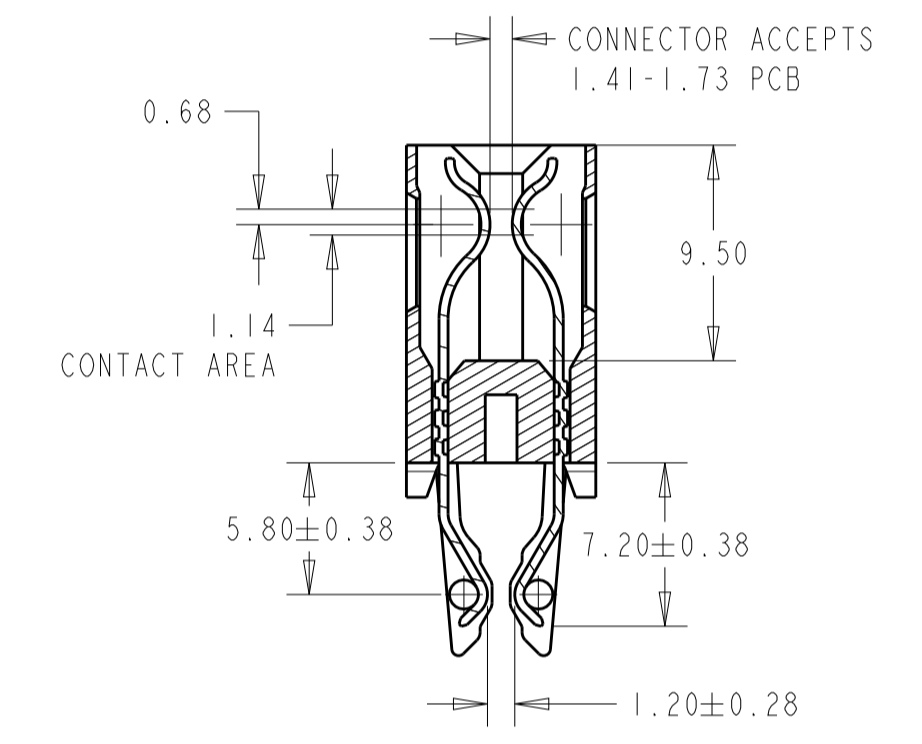
LOC	DIST	REVISIONS			
P	LTH	DESCRIPTION	DATE	DMN	APVD
-	-	SEE SHEET 1	-	-	-



SECTION SS-SS
SIGNAL CONTACTS



2212078-1 SHOWN



SECTION PP-PP
POWER CONTACTS

THIS DRAWING IS A CONTROLLED DOCUMENT.		DMN L.A. WENSEL 10DEC2012	TE Connectivity
DIMENSIONS: mm		CHK D. DEFIBAUGH 10DEC2012	
TOLERANCES UNLESS OTHERWISE SPECIFIED:		APVD S. ELICKINGER 10DEC2012	NAME CONNECTOR ASSEMBLY, MULTI-BEAM CE, POWER/SIGNAL, STRADDLE MOUNT
0 PLC ±0.3 1 PLC ±0.3 2 PLC ±0.13 3 PLC ±0.13 4 PLC ±0.13 ANGLES ±0.5°		PRODUCT SPEC	
MATERIAL SEE NOTE 1		APPLICATION SPEC	SIZE A1
FINISH SEE NOTE 2		WEIGHT	CAGE CODE 00779
CUSTOMER DRAWING		SCALE 1:1	DRAWING NO. 2212078
		SHEET 2 OF 3	REV A

