



Chipsmall Limited consists of a professional team with an average of over 10 year of expertise in the distribution of electronic components. Based in Hongkong, we have already established firm and mutual-benefit business relationships with customers from,Europe,America and south Asia,supplying obsolete and hard-to-find components to meet their specific needs.

With the principle of "Quality Parts,Customers Priority,Honest Operation,and Considerate Service",our business mainly focus on the distribution of electronic components. Line cards we deal with include Microchip,ALPS,ROHM,Xilinx,Pulse,ON,Everlight and Freescale. Main products comprise IC,Modules,Potentiometer,IC Socket,Relay,Connector.Our parts cover such applications as commercial,industrial, and automotives areas.

We are looking forward to setting up business relationship with you and hope to provide you with the best service and solution. Let us make a better world for our industry!



## Contact us

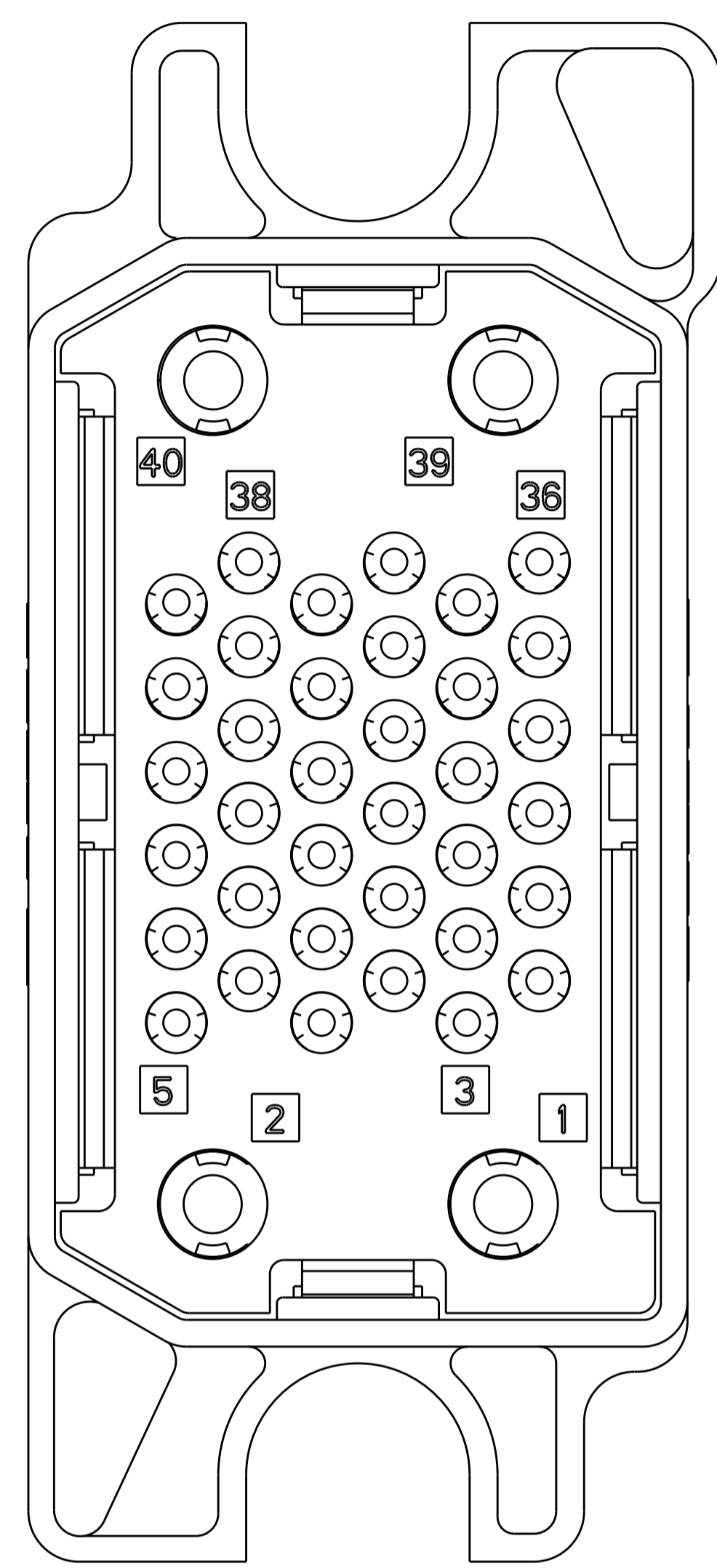
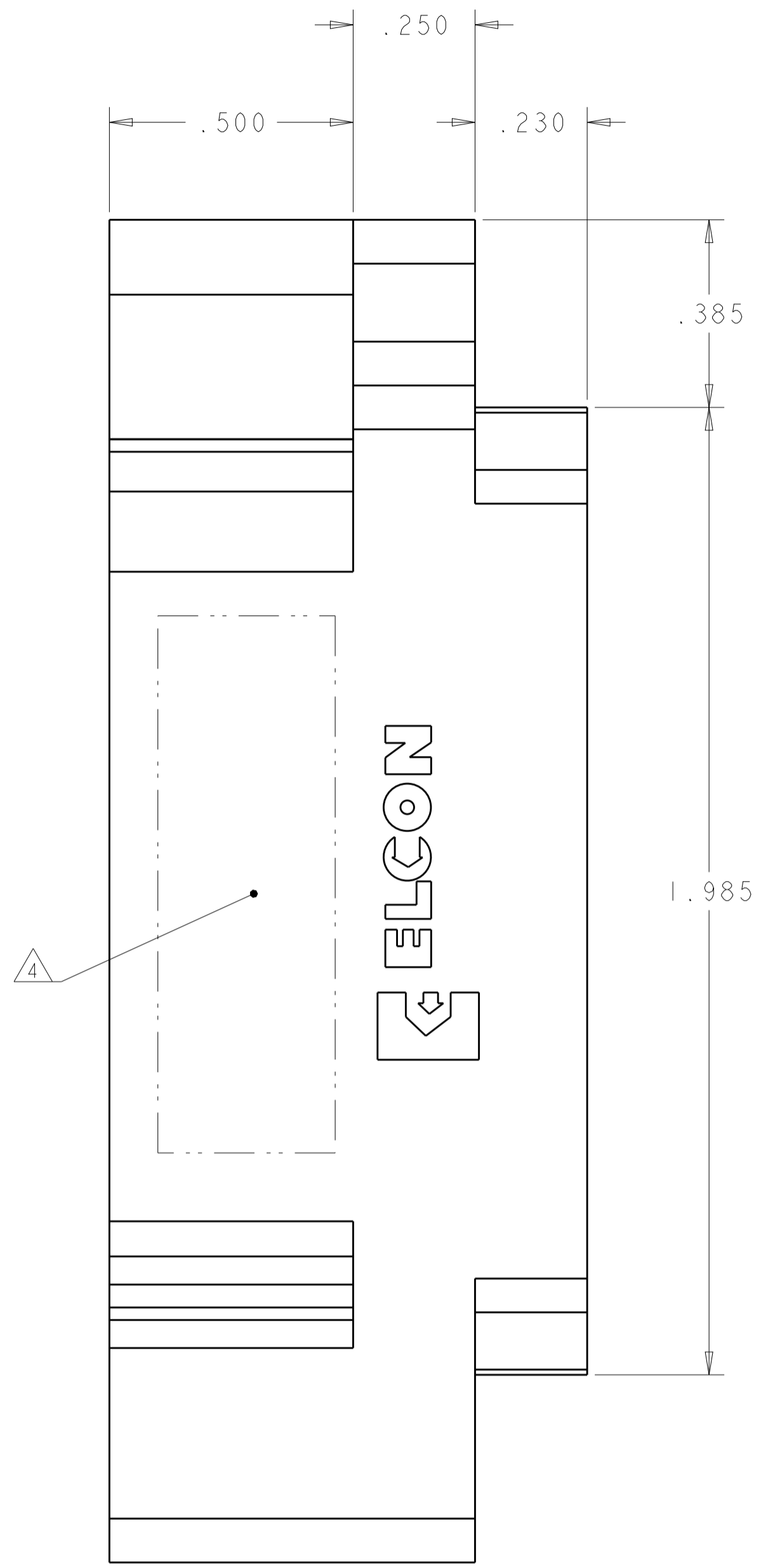
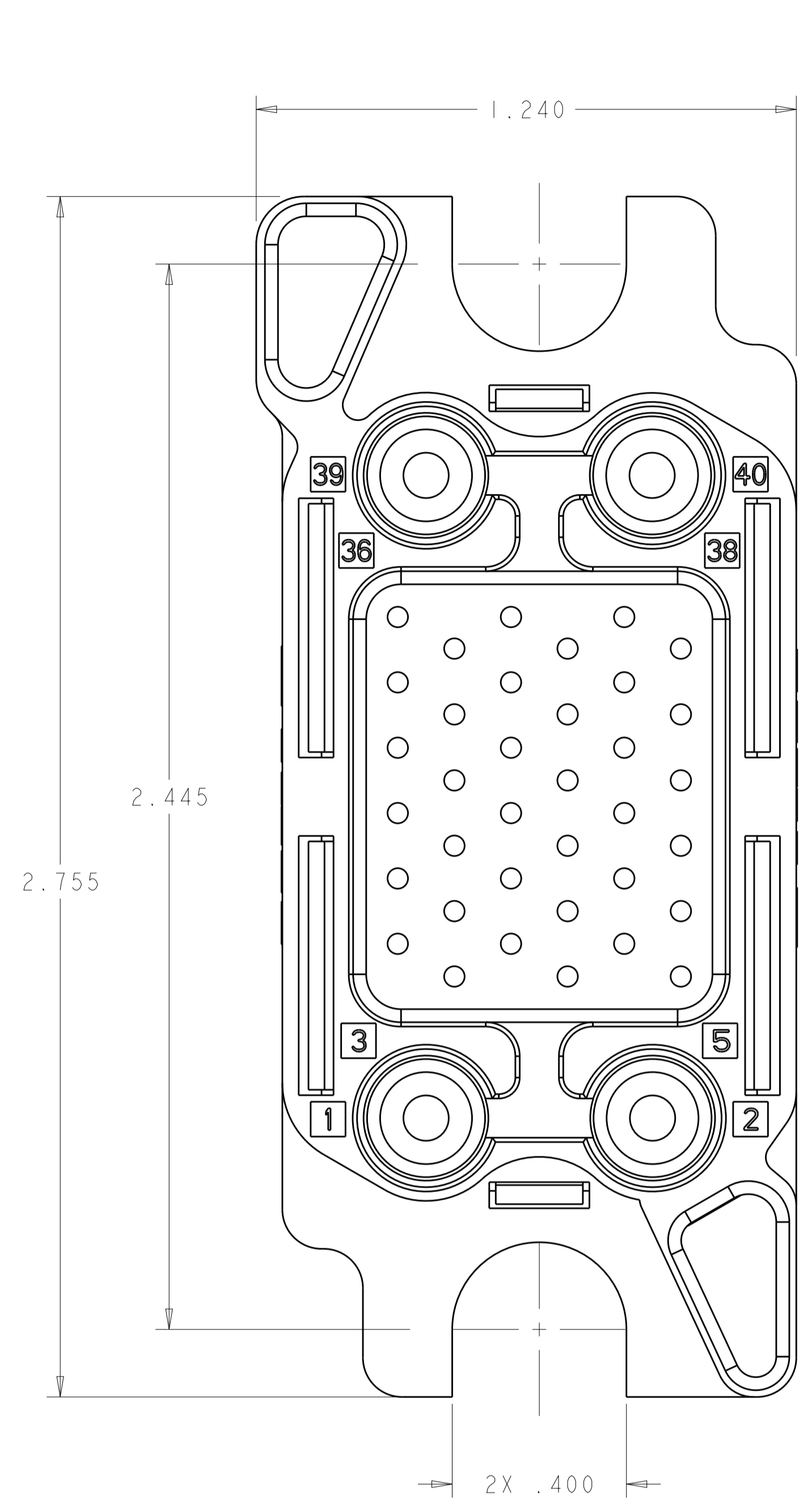
Tel: +86-755-8981 8866 Fax: +86-755-8427 6832

Email & Skype: info@chipsmall.com Web: www.chipsmall.com

Address: A1208, Overseas Decoration Building, #122 Zhenhua RD., Futian, Shenzhen, China



LOC		DIST		REVISIONS			
		P	LTH	DESCRIPTION	DATE	DWN	APVD
		A		RELEASED	09JUL2013	BC	DO



- PIN CONTACT SIZE No. 12 (C)
- PIN CONTACT SIZE No. 20 (B)
- PIN CONTACT SIZE No. 12 (C)

1. PART NUMBER CHANGES AND OR DESIGN CHANGES AFFECTING THE INTERCHANGEABILITY REQUIRE PRIOR TYCO ELECTRONICS APPROVAL AND AUTHORIZATION BY REVISION TO THIS DRAWING.
2. MATERIAL:  
 INSULATOR: THERMOPLASTIC, GLASS REINFORCED, FLAMMABILITY RATED, COLOR: BLACK  
 PIN CONTACT: COPPER ALLOY  
 RETENTION CLIP: BERYLLIUM COPPER OR STAINLESS STEEL  
 SHOULDER SCREW: STAINLESS STEEL
3. FINISH:  
 PIN CONTACT SIZE 20: GOLD PLATE .000010 MIN THK. OVER NICKEL .000050 MIN THK.  
 PIN CONTACT SIZE 12: SILVER PLATE .000200 MIN THK. OVER NICKEL .000050 MIN THK.

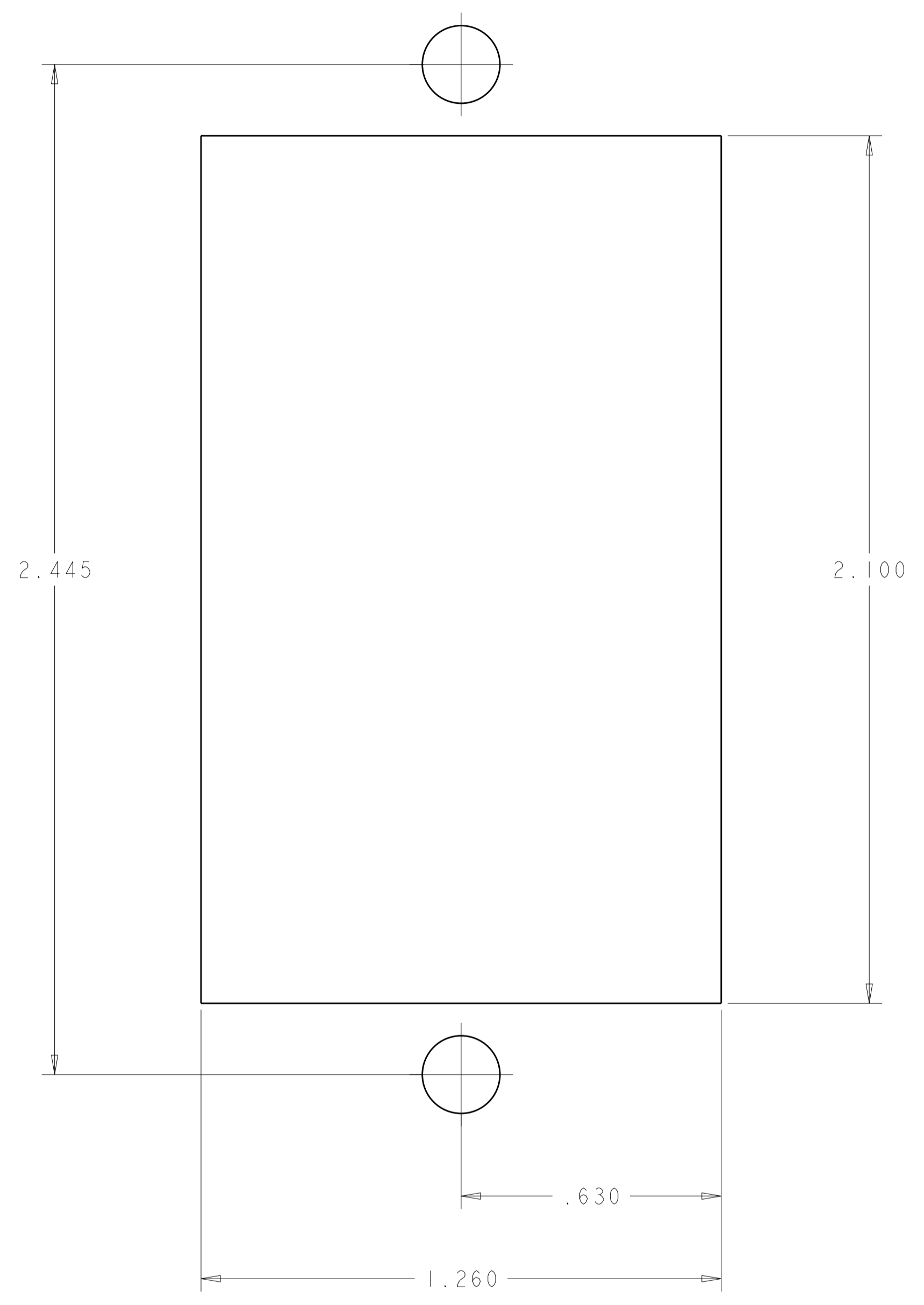
△ ITEMS PROVIDED TO THIS SPECIFICATION TO BE PERMANENTLY IDENTIFIED PER THE FOLLOWING IDENTIFIER:

TYCO ELECTRONICS P/N: XXXXXXX-X  
 YEAR WEEK: YEAR 1 WEEK 1  
 DATE CODE (e.g. 0216): XXXX

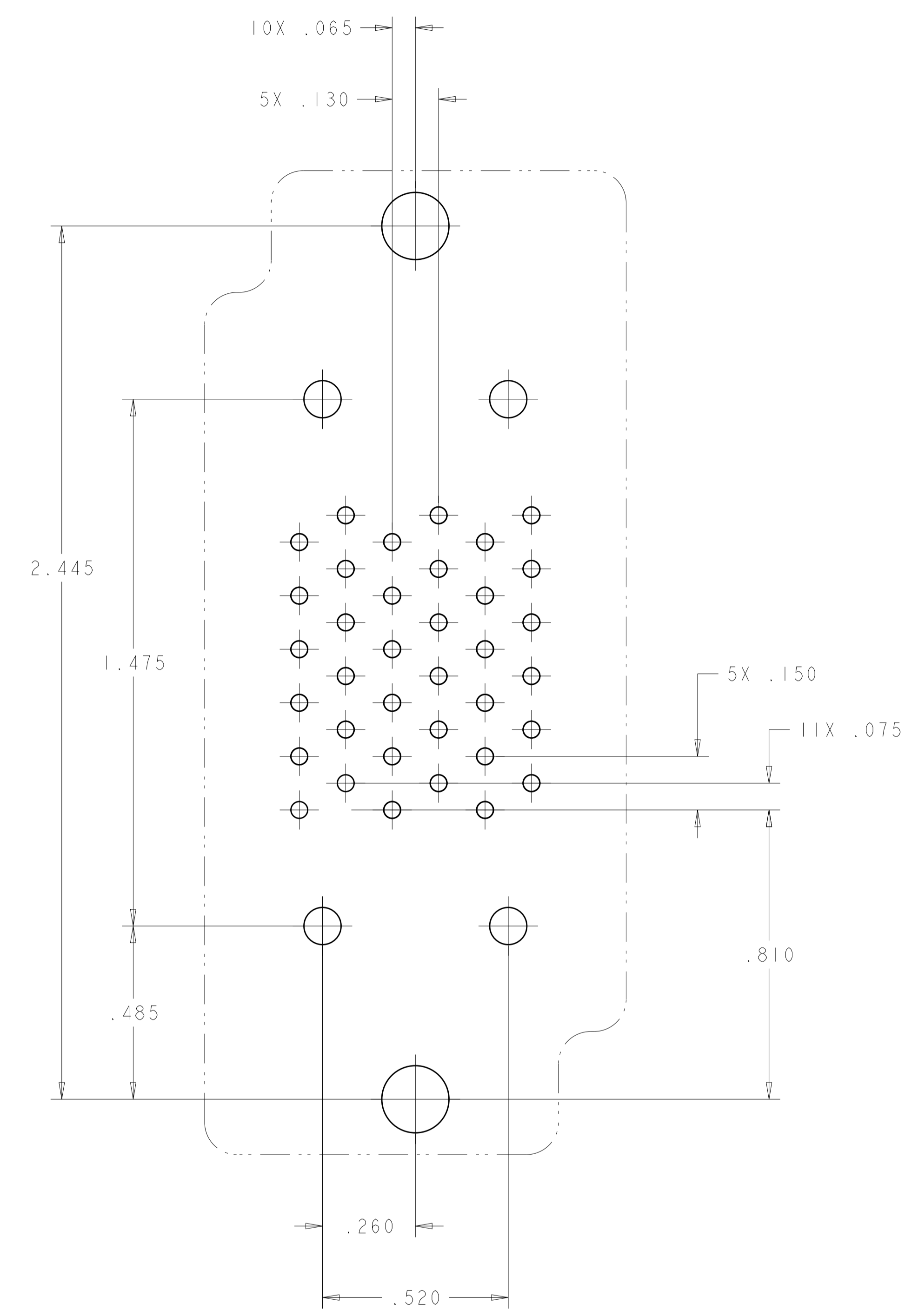
ITEM	PART NUMBER	DESCRIPTION	ITEM
4	1766245-1	CONTACT, PIN, #12, PCB TAIL	C
36	1650283-1	CONTACT, PIN, #20, PCB TAIL	B
1	1648132-2	CONNECTOR, PIN, UNMARKED/NO LABEL	A

THIS DRAWING IS A CONTROLLED DOCUMENT.		DWN: D. ORRIS 18OCT2012	TE Connectivity
DIMENSIONS: INCHES		CHK: D. ORRIS 18OCT2012	
TOLERANCES UNLESS OTHERWISE SPECIFIED:		APVD: D. ORRIS 18OCT2012	NAME: PIN CONNECTOR PCB TAIL SQUARE DRAWER SIZE: CAGE CODE DRAWING NO: A100779C=2212081
0 PLC ±. 1 PLC ±. 2 PLC ±.02 3 PLC ±.010 4 PLC ±. ANGLES ±.		PRODUCT SPEC	
MATERIAL:		APPLICATION SPEC	RESTRICTED TO:
FINISH:		WEIGHT:	SCALE: 3:1 SHEET 1 OF 2 REV A
CUSTOMER DRAWING			

LOC		DIST		REVISIONS			
				DESCRIPTION	DATE	DMN	APVD
-	-	-	-	SEE SHEET 1	-	-	-



SUGGESTED PANEL CUTOUT  
 VIEWED FROM CONNECTOR MOUNTING SIDE



SUGGESTED PCB CUTOUT  
 VIEWED FROM CONNECTOR MOUNTING SIDE

ELCON SQUARE DRAWER

THIS DRAWING IS A CONTROLLED DOCUMENT.		DMN D. ORRIS 18OCT2012	TE Connectivity
DIMENSIONS: INCHES		CHK D. ORRIS 18OCT2012	
TOLERANCES UNLESS OTHERWISE SPECIFIED:		APVD D. ORRIS 18OCT2012	NAME PIN CONNECTOR PCB TAIL SQUARE DRAWER
0 PLC ±	1 PLC ±	PRODUCT SPEC	SIZE A100779C=2212081
2 PLC ±.02	3 PLC ±.010	APPLICATION SPEC	RESTRICTED TO
4 PLC ±	ANGLES ±	WEIGHT	SCALE 3:1 SHEET 2 OF 2 REV A
MATERIAL	FINISH	CUSTOMER DRAWING	