



Chipsmall Limited consists of a professional team with an average of over 10 year of expertise in the distribution of electronic components. Based in Hongkong, we have already established firm and mutual-benefit business relationships with customers from,Europe,America and south Asia,supplying obsolete and hard-to-find components to meet their specific needs.

With the principle of “Quality Parts,Customers Priority,Honest Operation,and Considerate Service”,our business mainly focus on the distribution of electronic components. Line cards we deal with include Microchip,ALPS,ROHM,Xilinx,Pulse,ON,Everlight and Freescale. Main products comprise IC,Modules,Potentiometer,IC Socket,Relay,Connector.Our parts cover such applications as commercial,industrial, and automotives areas.

We are looking forward to setting up business relationship with you and hope to provide you with the best service and solution. Let us make a better world for our industry!



Contact us

Tel: +86-755-8981 8866 Fax: +86-755-8427 6832

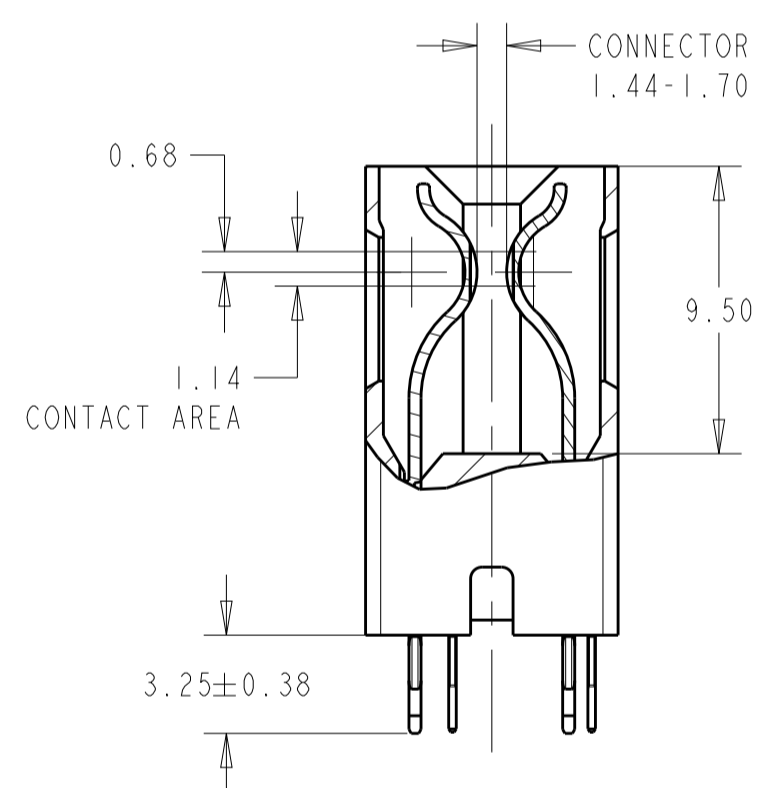
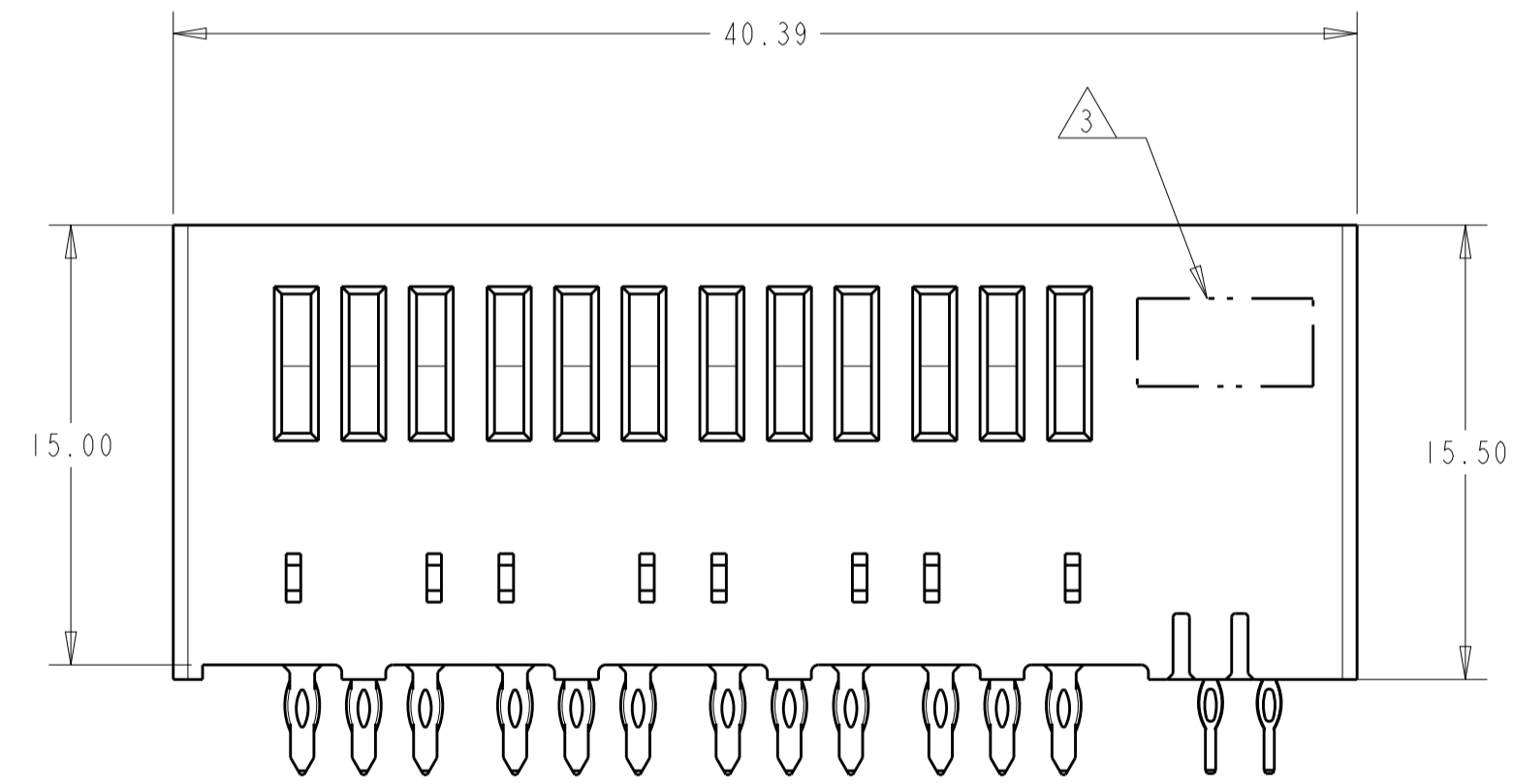
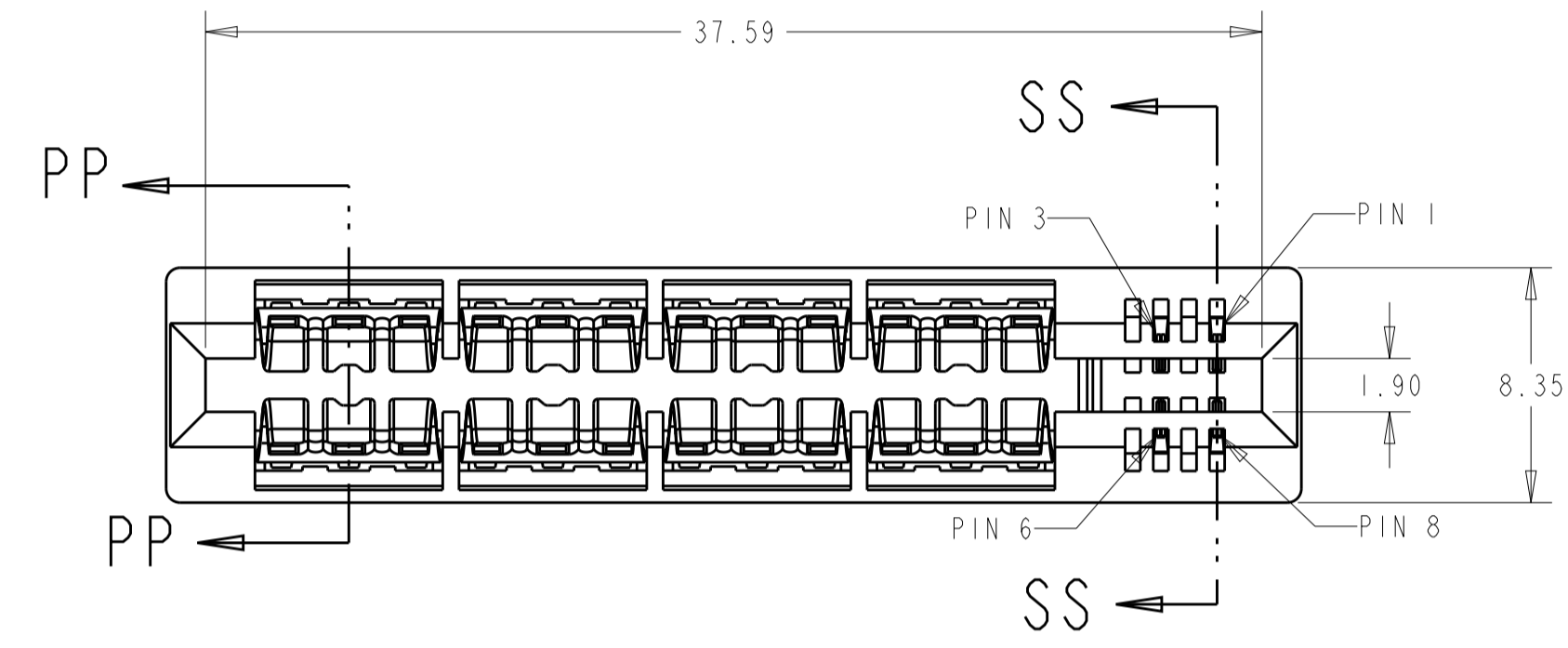
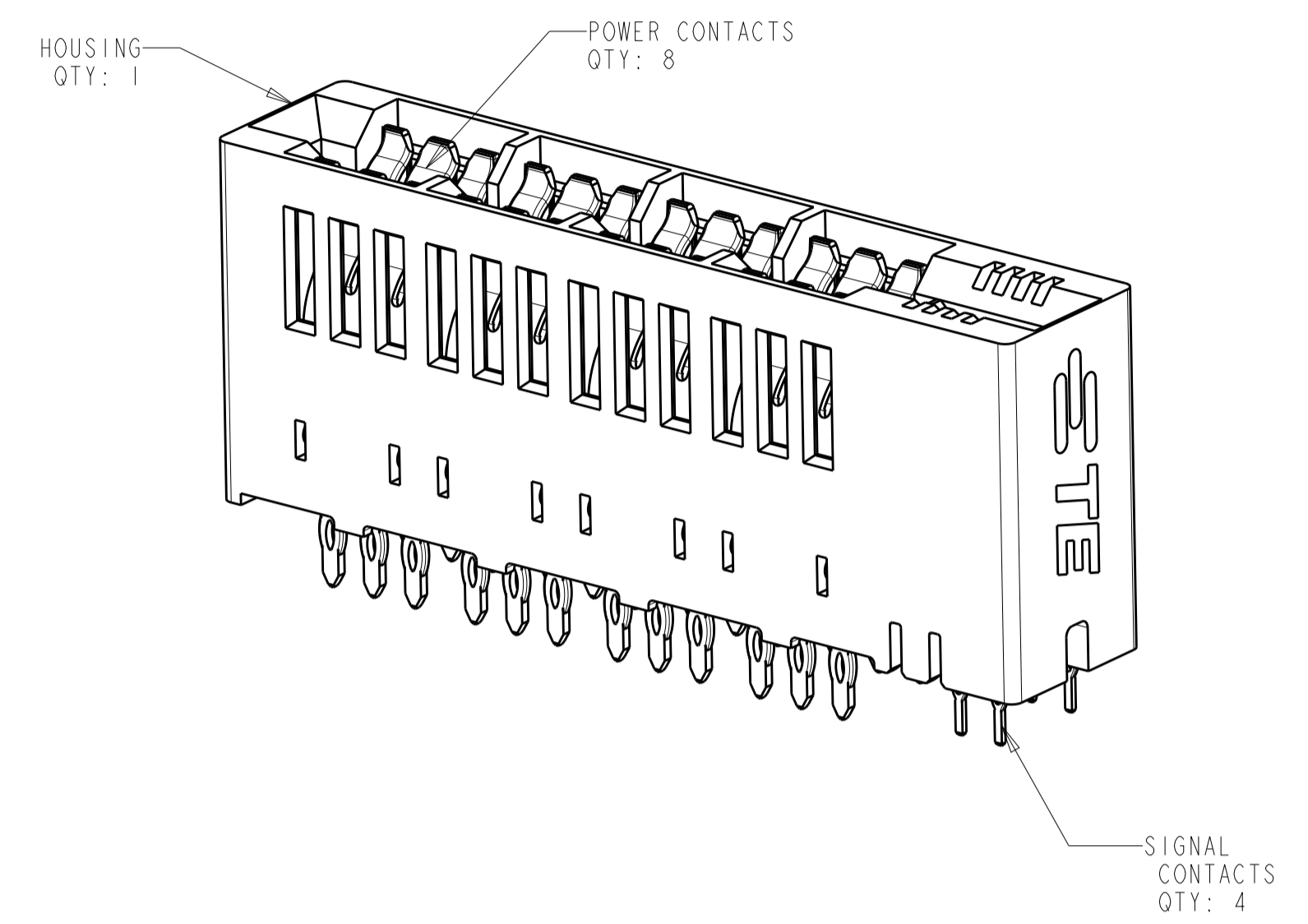
Email & Skype: info@chipsmall.com Web: www.chipsmall.com

Address: A1208, Overseas Decoration Building, #122 Zhenhua RD., Futian, Shenzhen, China

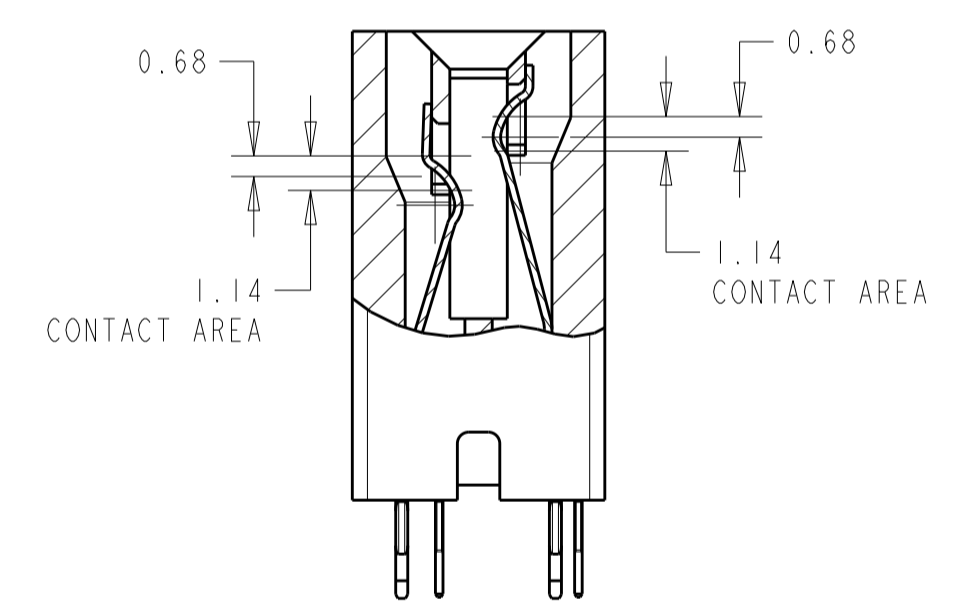


LOC		DIST		REVISIONS			
AA	00	P	LTN	DESCRIPTION	DATE	DWN	APVD
		A		FIRST RELEASE	30AUG2016	SZ	SZ

- MATERIAL: HOUSING - THERMOPLASTIC, GLASS REINFORCED, COLOR: BLACK
CONTACT - COPPER ALLOY
- FINISH: CONTACT - GOLD PLATED OVER NICKEL
SOLDER TAILS - MATTE TIN OVER NICKEL
- CONNECTOR ASSEMBLY MARKED WITH PART NUMBER AND DATE CODE IN THE APPROXIMATE AREA SHOWN
- DATUMS AND BASIC DIMENSIONS TO BE ESTABLISHED BY CUSTOMER
- MANUFACTURING TOLERANCE FOR 1.07mm DIAMETER FINISHED HOLE:
DRILLED HOLE = 1.16+/-0.03mm
COPPER PLATE = 0.050/0.025mm (MAX HARDNESS 150 KNOOP)
TIN/LEAD PLATE (HASL) = 0.010/0.004mm
- MANUFACTURING TOLERANCE FOR 0.70mm DIAMETER FINISHED HOLE:
DRILLED HOLE = 0.79+/-0.03mm
COPPER PLATE = 0.050/0.025mm (MAX HARDNESS 150 KNOOP)
TIN/LEAD PLATE (HASL) = 0.010/0.004mm



SECTION PP-PP
POWER CONTACTS



SECTION SS-SS
SIGNAL CONTACTS

PIN 1, 3, 6, 8	2 X 4 POWER 2 X 4 SIGNAL	2212112-1
SELECT LOADED	DESCRIPTION	PART NUMBER

THIS DRAWING IS A CONTROLLED DOCUMENT.		DWN L.A.WENSEL 07NOV2012	TE Connectivity NAME CONNECTOR ASSEMBLY, MULTI-BEAM CE, POWER/SIGNAL, VERTICAL, PRESS FIT, SELECT LOADED SIZE CAGE CODE DRAWING NO RESTRICTED TO A1 00779 C=2212112 -
DIMENSIONS:		CHK D.DEFIRAUGH 07NOV2012	
mm		APVD S.FLICKINGER 07NOV2012	
TOLERANCES UNLESS OTHERWISE SPECIFIED: 0 PLC ± 1 PLC ±0.5 2 PLC ±0.25 3 PLC ± 4 PLC ± ANGLES ±6°		PRODUCT SPEC	
MATERIAL SEE NOTE 1		FINISH SEE NOTE 2	APPLICATION SPEC
CUSTOMER DRAWING		SCALE 4:1	SHEET 1 OF 2 REV A

