



Chipsmall Limited consists of a professional team with an average of over 10 year of expertise in the distribution of electronic components. Based in Hongkong, we have already established firm and mutual-benefit business relationships with customers from,Europe,America and south Asia,supplying obsolete and hard-to-find components to meet their specific needs.

With the principle of “Quality Parts,Customers Priority,Honest Operation,and Considerate Service”,our business mainly focus on the distribution of electronic components. Line cards we deal with include Microchip,ALPS,ROHM,Xilinx,Pulse,ON,Everlight and Freescale. Main products comprise IC,Modules,Potentiometer,IC Socket,Relay,Connector.Our parts cover such applications as commercial,industrial, and automotives areas.

We are looking forward to setting up business relationship with you and hope to provide you with the best service and solution. Let us make a better world for our industry!



## Contact us

Tel: +86-755-8981 8866 Fax: +86-755-8427 6832

Email & Skype: info@chipsmall.com Web: www.chipsmall.com

Address: A1208, Overseas Decoration Building, #122 Zhenhua RD., Futian, Shenzhen, China



4

3

2

1

THIS DRAWING IS UNPUBLISHED.

RELEASED FOR PUBLICATION

© COPYRIGHT - BY TYCO ELECTRONICS CORPORATION. ALL RIGHTS RESERVED.

LOC	DIST	REVISIONS					
		P	LTR	DESCRIPTION	DATE	DWN	APVD
H	-		A	RELEASED PER ECR-13-003079	07MAR2013	PP	OL
			B	CHANGE PER ECR-13-006472	17APR2013	PP	OL

NOTES:

1. MATERIALS:

- BASE & COVER: PBT,
- COLOR: NATURAL,
- CONTACTS: COPPER ALLOY.

2. FOR SOLID AND STRANDED WIRE AWG 22 - 20 USE.

3. COMPLIES WITH DIRECTIVE 2002/95/EC (ROHS).

4. SCREWS TO BE USED: M2x6.

5. FOR LED TYPE: SHARP MINI ZENIGATA.

Top view of the LED holder showing dimensions: outer diameter  $\varnothing(32)$ , inner diameter  $\varnothing(10,50)$ , two  $\varnothing(2,10)$  holes, and two  $\varnothing(5,0)$  holes with a depth of  $(2x)$ .

Side view of the LED holder showing dimensions: four  $\varnothing(0,9)$  holes, four  $\varnothing(2,0)$  holes, two  $(1,30)$  holes, and a depth of  $(3)$ .

Bottom view of the LED holder showing dimensions: outer diameter  $\varnothing(24,20)$ , inner diameter  $\varnothing(14,80)$ , and a height of  $\varnothing(8,11)$ . It also shows the TE logo and part number 2213118-1.

THIS DRAWING IS A CONTROLLED DOCUMENT.

DWN P. POORTER 19JUL2012

CHK O. LEIJNSE 19JUL2012

APVD O. LEIJNSE 19JUL2012

PRODUCT SPEC

108-133006

APPLICATION SPEC

114-32045

WEIGHT -

TE Connectivity

NAME

LED HOLDER

Sharp Mini Zenigata

RESTRICTED TO

SIZE CAGE CODE DRAWING NO

A3 00779 C-2213118

DIMENSIONS:  
mmTOLERANCES UNLESS  
OTHERWISE SPECIFIED:

0 PLC	±-
1 PLC	±-
2 PLC	±-
3 PLC	±-
4 PLC	±-
ANGLES	±-
FINISH	-

MATERIAL -

FINISH -

CUSTOMER DRAWING

SCALE 3:1

SHEET 1 OF 2 REV B

1470-19 (3/11)

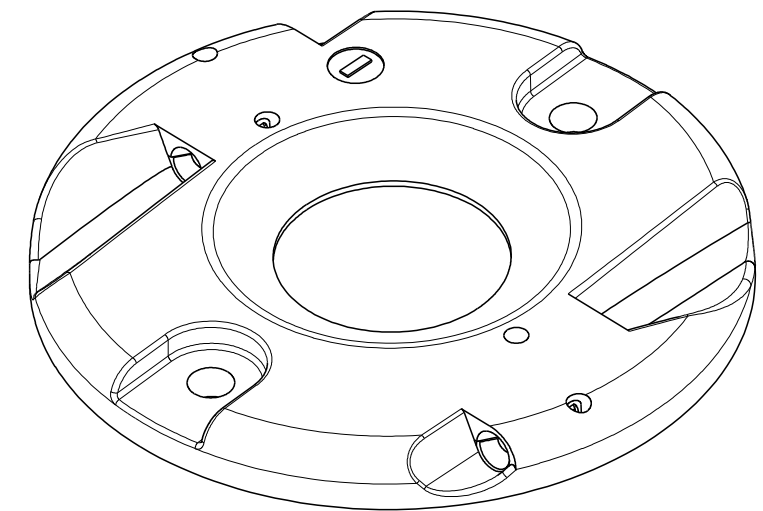
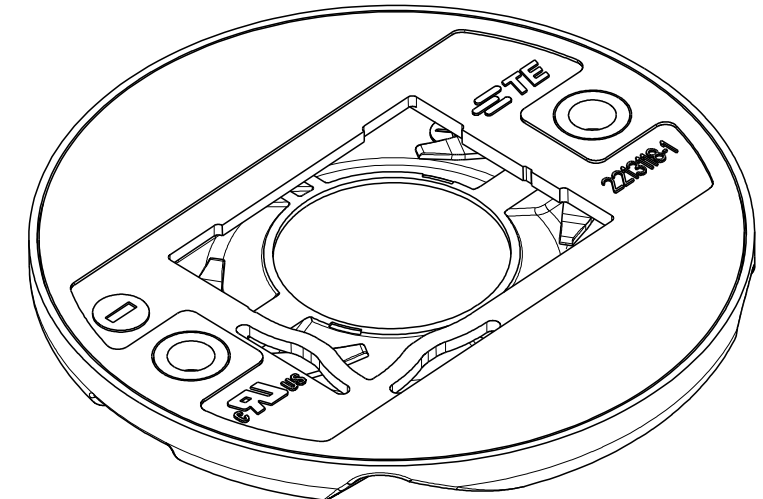
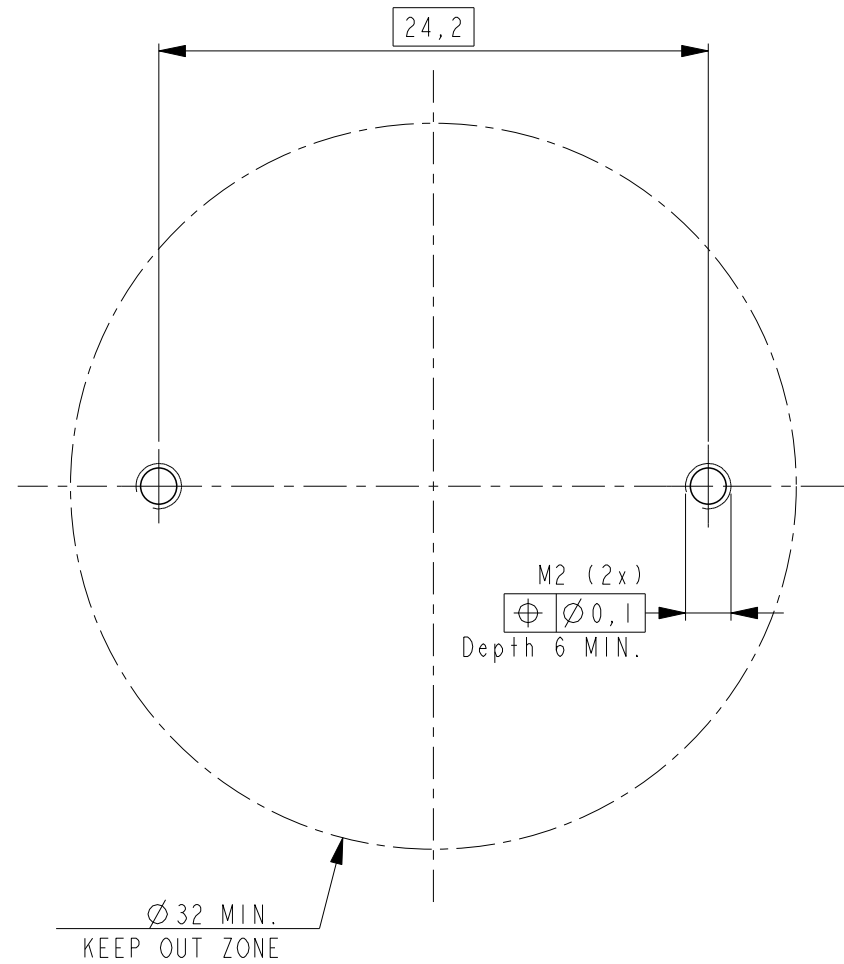
THIS DRAWING IS UNPUBLISHED.


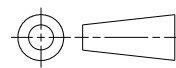
RELEASED FOR PUBLICATION

© COPYRIGHT - BY TYCO ELECTRONICS CORPORATION. ALL RIGHTS RESERVED.

LOC	DIST	REVISIONS					
		P	LTR	DESCRIPTION	DATE	DWN	APVD
H	-	-	-	SEE SHEET 1	-	-	-

# RECOMMENDED DRILLING HOLE PATTERN



THIS DRAWING IS A CONTROLLED DOCUMENT.		DWN P. POORTER 19 JUL 2012	 TE Connectivity	
DIMENSIONS: mm		CHK O. LEIJNSE 19 JUL 2012		
		APVD O. LEIJNSE 19 JUL 2012		
TOLERANCES UNLESS OTHERWISE SPECIFIED:		PRODUCT SPEC	NAME LED HOLDER	
0 PLC ±-		108-133006	Sharp Mini Zenigata	
1 PLC ±-		APPLICATION SPEC	SIZE	CAGE CODE
2 PLC ±-		114-32045	A3	00779
3 PLC ±-		WEIGHT	DRAWING NO	
4 PLC ±-		-	C-2213118	
ANGLES ±-		CUSTOMER DRAWING	RESTRICTED TO	
FINISH -		SCALE	SHEET	
		3:1	2 OF 2	
			REV B	

D

C

B

A