



Chipsmall Limited consists of a professional team with an average of over 10 year of expertise in the distribution of electronic components. Based in Hongkong, we have already established firm and mutual-benefit business relationships with customers from,Europe,America and south Asia,supplying obsolete and hard-to-find components to meet their specific needs.

With the principle of “Quality Parts,Customers Priority,Honest Operation,and Considerate Service”,our business mainly focus on the distribution of electronic components. Line cards we deal with include Microchip,ALPS,ROHM,Xilinx,Pulse,ON,Everlight and Freescale. Main products comprise IC,Modules,Potentiometer,IC Socket,Relay,Connector.Our parts cover such applications as commercial,industrial, and automotives areas.

We are looking forward to setting up business relationship with you and hope to provide you with the best service and solution. Let us make a better world for our industry!



Contact us

Tel: +86-755-8981 8866 Fax: +86-755-8427 6832

Email & Skype: info@chipsmall.com Web: www.chipsmall.com

Address: A1208, Overseas Decoration Building, #122 Zhenhua RD., Futian, Shenzhen, China



THIS DRAWING IS UNPUBLISHED.

RELEASED FOR PUBLICATION

© COPYRIGHT- BY TYCO ELECTRONICS CORPORATION. ALL RIGHTS RESERVED.

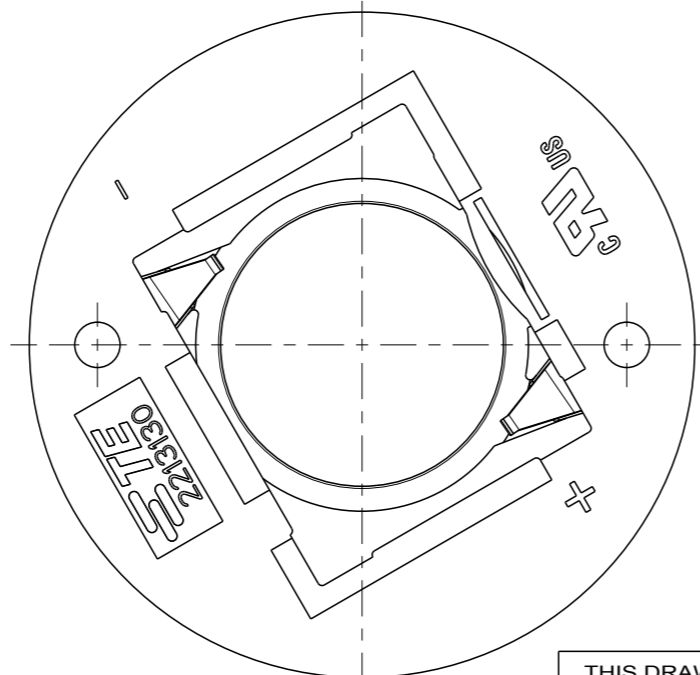
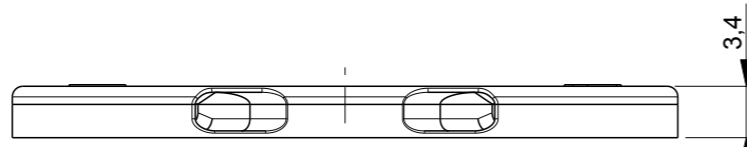
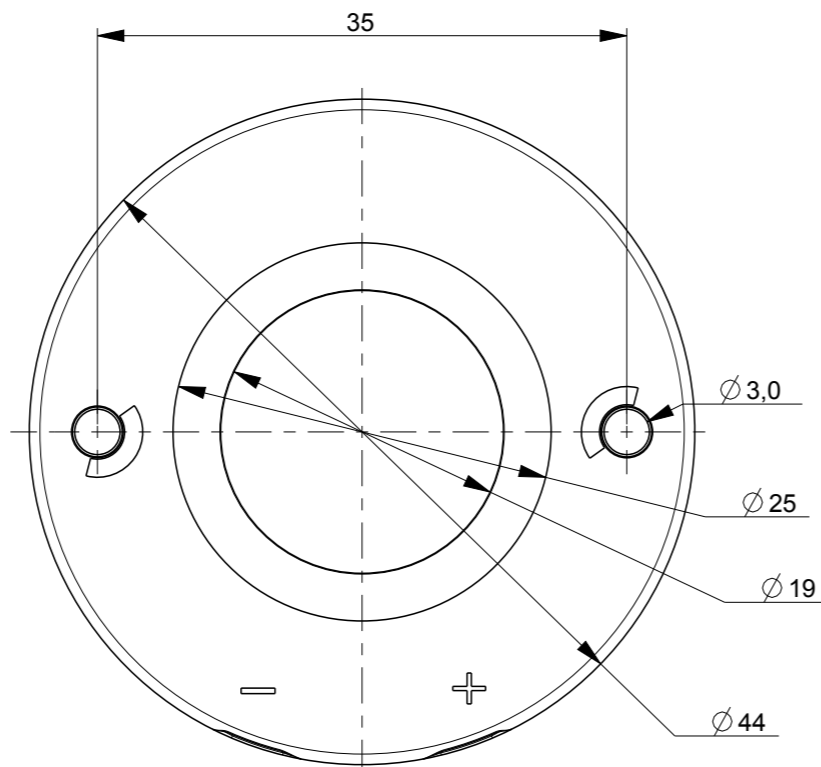
LOC H DIST -

REVISIONS

P	LTR	DESCRIPTION	DATE	DWN	APVD
1		INITIATE	09AUG2012	JK	OL
2		ADDED INFO	06JAN2013	JK	JK
3		ADDED INFO	11MAR2013	JK	JK
4		ADD SH3	22MAR2013	JK	JK

NOTES:

1. MATERIALS:
HOUSING: GLASS FILLED PBT
COLOR : NATURAL/WHITE
CONTACTS: SILVER PLATED COPPER ALLOY
2. FOR SOLID AND STRANDED WIRE AWG 22-18
3. COMPLIES WITH DIRECTIVE 2002/95/EC (ROHS)
4. M3 SCREW TO BE USED FOR MOUNTING



M3 SCREW HOLES

WIRE ENTRANCE

WIRE ENTRANCE

LED PRESSURE CONTACTS

LED CLAMPING FEATURE

2213130-1 AS SHOWN

Z50 LED HOLDER LOW PROFILE

PARTNUMBER	DESCRIPTION
2213130-2	Z50 LED HOLDER STANDARD PROFILE 2024
2213130-1	Z50 LED HOLDER LOW PROFILE 2024

PRELIMINARY PART
NOT RELEASED FOR PRODUCTION

THIS PRODUCT HAS NOT COMPLETED
VALIDATION TESTING

THIS DRAWING IS A CONTROLLED DOCUMENT.	
DIMENSIONS: mm	TOLERANCES UNLESS OTHERWISE SPECIFIED: 0 PLC ±- 1 PLC ±- 2 PLC ±- 3 PLC ±- 4 PLC ±- ANGLES ±-
MATERIAL -	FINISH -

DWN	01-AUG-2012
CHK	J.V.D.KROGT
CHK	04-AUG-2012
CHK	J.V.D.KROGT
APVD	06-AUG-2012
APVD	O.LEIJNSE
PRODUCT SPEC	108-133008
APPLICATION SPEC	114-32048
WEIGHT	-
CUSTOMER DRAWING	

DWN		01-AUG-2012	
CHK		J.V.D.KROGT	
CHK		04-AUG-2012	
CHK		J.V.D.KROGT	
APVD		06-AUG-2012	
APVD		O.LEIJNSE	
PRODUCT SPEC		108-133008	
APPLICATION SPEC		114-32048	
WEIGHT		-	
CUSTOMER DRAWING			
NAME	Z50 LED HOLDER 2024		
SIZE	CAGE CODE	DRAWING NO	RESTRICTED TO
A3	00779	C-2213130	-
SCALE	SHEET	OF	REV
-	1	3	4



4

3

2

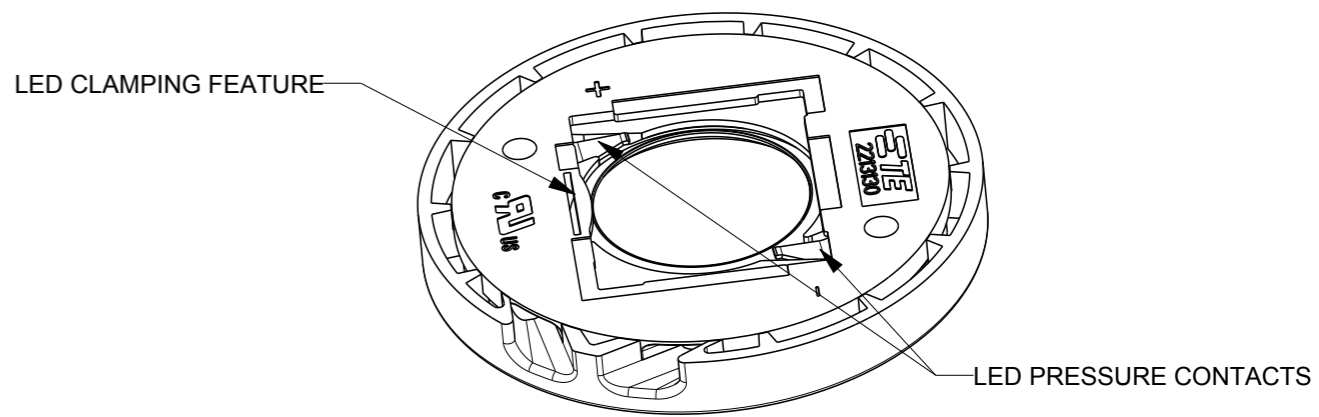
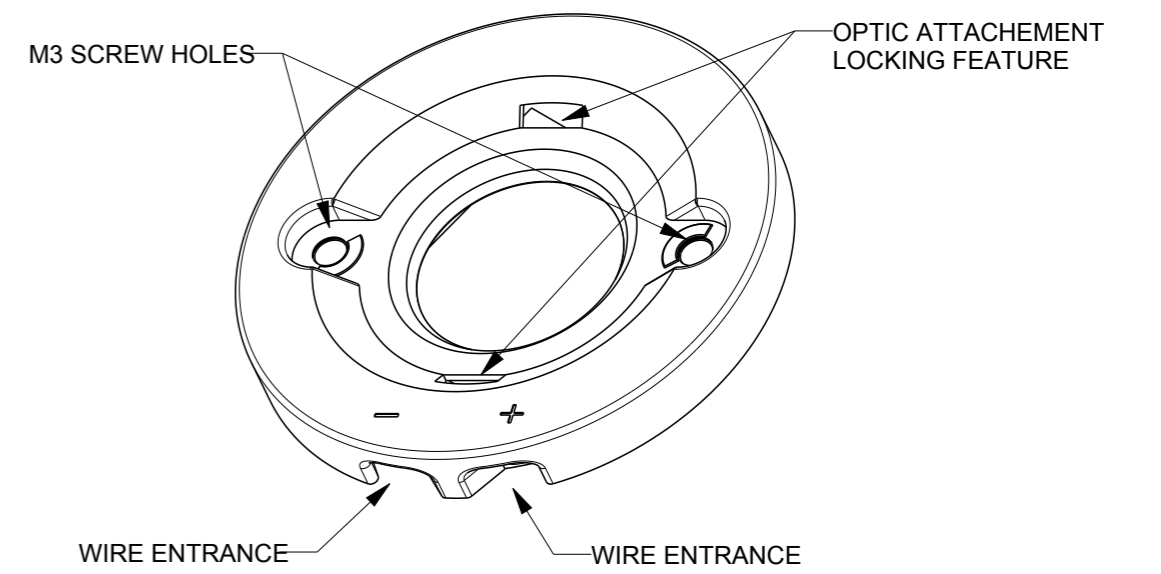
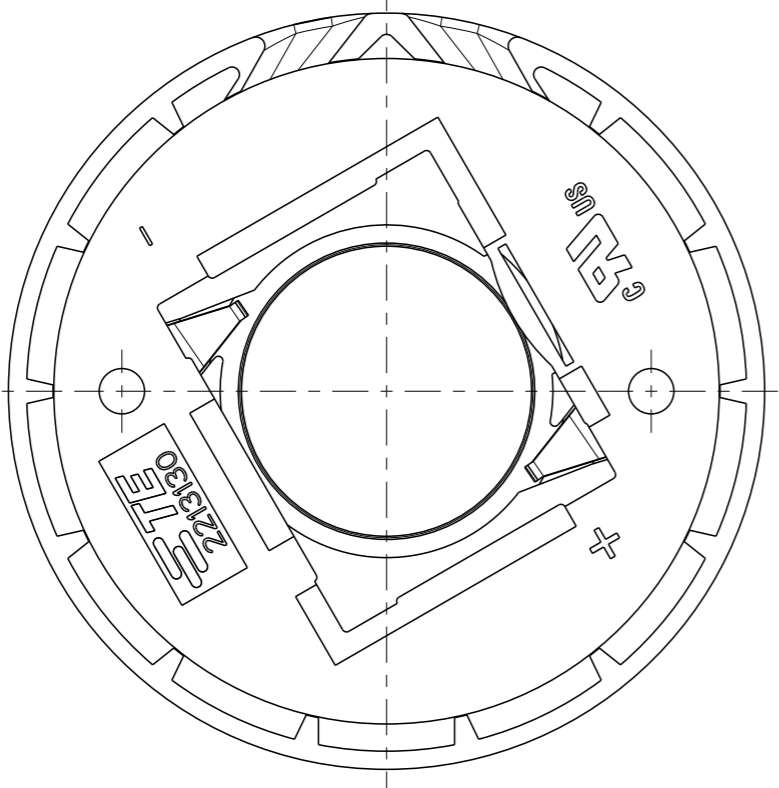
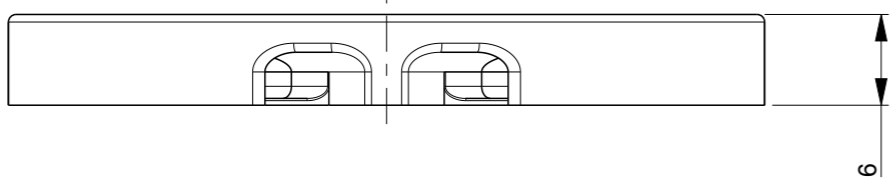
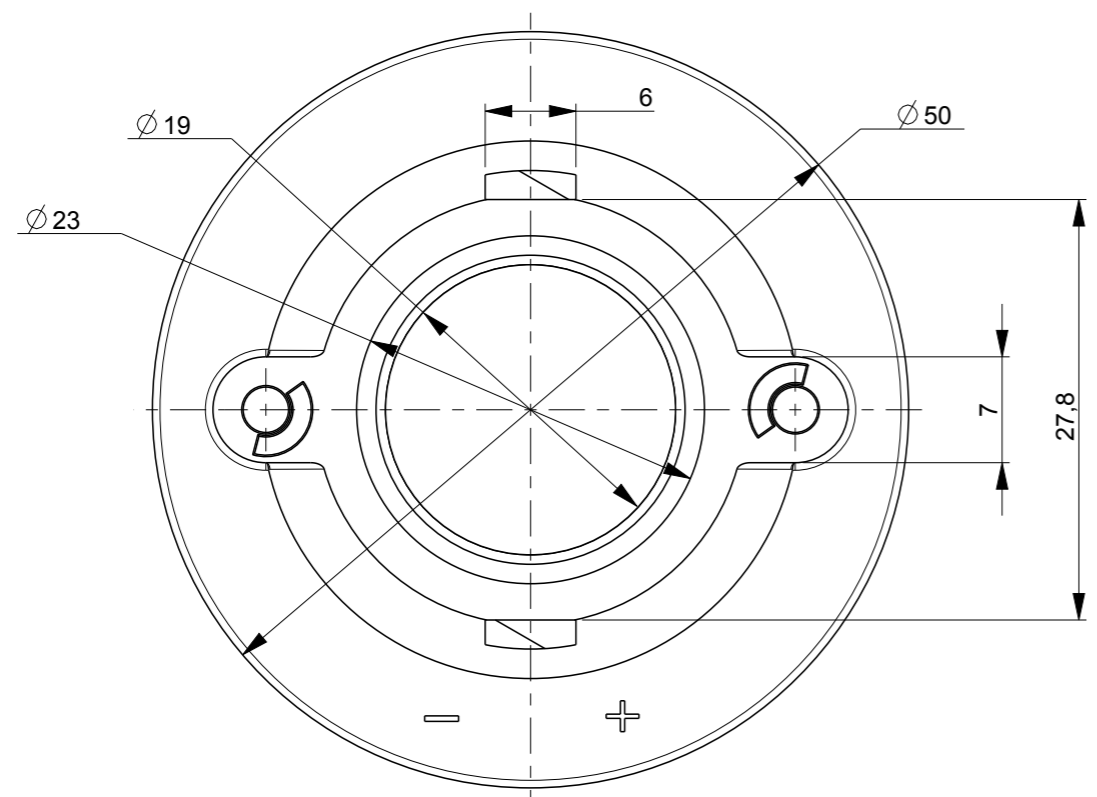
1

THIS DRAWING IS UNPUBLISHED.

RELEASED FOR PUBLICATION


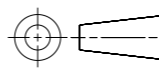
© COPYRIGHT- BY TYCO ELECTRONICS CORPORATION. ALL RIGHTS RESERVED.

LOC	DIST	REVISIONS			
P	LTR	DESCRIPTION	DATE	DWN	APVD
		SEE SHEET 1	-	-	-



2213130-2 AS SHOWN

Z50 LED HOLDER STANDARD PROFILE

THIS DRAWING IS A CONTROLLED DOCUMENT.		DWN 01-AUG-2012 J.V.D.KROGT	 TE Connectivity	
		CHK 04-AUG-2012 J.V.D.KROGT		
		APVD 06-AUG-2012 O.LEIJNSE	NAME Z50 LED HOLDER 2024	
DIMENSIONS: mm		PRODUCT SPEC 108-133008	RESTRICTED TO	
		APPLICATION SPEC 114-32048	SIZE A3	CAGE CODE 00779
MATERIAL -		WEIGHT -	DRAWING NO C-2213130	
TOLERANCES UNLESS OTHERWISE SPECIFIED:		CUSTOMER DRAWING		SCALE -
0 PLC ±-	1 PLC ±-	SHEET 2 OF 3		REV 4
2 PLC ±-	3 PLC ±-			
4 PLC ±-	ANGLES ±			
FINISH -				

SCALE 2:1

4

3

2

1

THIS DRAWING IS UNPUBLISHED.

RELEASED FOR PUBLICATION

© COPYRIGHT-

BY TYCO ELECTRONICS CORPORATION.

ALL RIGHTS RESERVED.

LOC

DIST

REVISIONS

H

-

P

LTR

DESCRIPTION

DATE

DWN

APVD

-

SEE SHEET 1

-

-

-

THE SKETCH BELOW IS SHOWING THE NOMINAL LED COB DIMENSIONS TO MATCH WITH THE Z50 LED HOLDER 2024

FOR TECHNICAL DETAILS ABOUT A PROPER MATCH WITH A SPECIFIC LED COB ARRAY PLEASE CONTACT A REPRESENTATIVE AT TE-CONNECTIVITY

THIS DRAWING IS A CONTROLLED DOCUMENT.

DWN 01-AUG-2012

J.V.D.KROGT

CHK 04-AUG-2012

J.V.D.KROGT

APVD 06-AUG-2012

O.LEIJNSE

TE Connectivity

DIMENSIONS:

mm

TOLERANCES UNLESS OTHERWISE SPECIFIED:

0 PLC	±
1 PLC	±
2 PLC	±
3 PLC	±
4 PLC	±
ANGLES	±

MATERIAL

-

FINISH

-

PRODUCT SPEC

108-133008

APPLICATION SPEC

114-32048

WEIGHT

-

NAME

Z50 LED HOLDER
2024

SIZE

A3

CAGE CODE

00779

DRAWING NO

C-2213130

RESTRICTED TO

-

CUSTOMER DRAWING

SCALE

-

SHEET

3

OF

3

REV

4

1470-19 (3/11)