



Chipsmall Limited consists of a professional team with an average of over 10 year of expertise in the distribution of electronic components. Based in Hongkong, we have already established firm and mutual-benefit business relationships with customers from,Europe,America and south Asia,supplying obsolete and hard-to-find components to meet their specific needs.

With the principle of “Quality Parts,Customers Priority,Honest Operation,and Considerate Service”,our business mainly focus on the distribution of electronic components. Line cards we deal with include Microchip,ALPS,ROHM,Xilinx,Pulse,ON,Everlight and Freescale. Main products comprise IC,Modules,Potentiometer,IC Socket,Relay,Connector.Our parts cover such applications as commercial,industrial, and automotives areas.

We are looking forward to setting up business relationship with you and hope to provide you with the best service and solution. Let us make a better world for our industry!



## Contact us

Tel: +86-755-8981 8866 Fax: +86-755-8427 6832

Email & Skype: info@chipsmall.com Web: www.chipsmall.com

Address: A1208, Overseas Decoration Building, #122 Zhenhua RD., Futian, Shenzhen, China

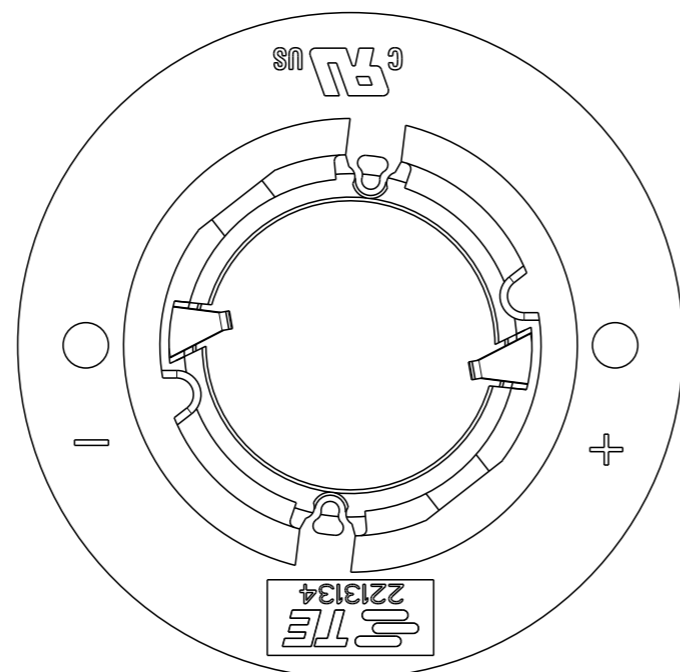
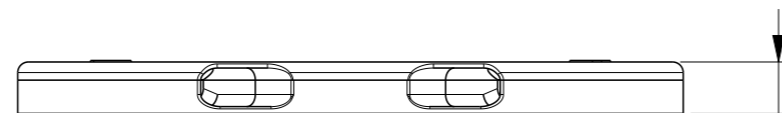
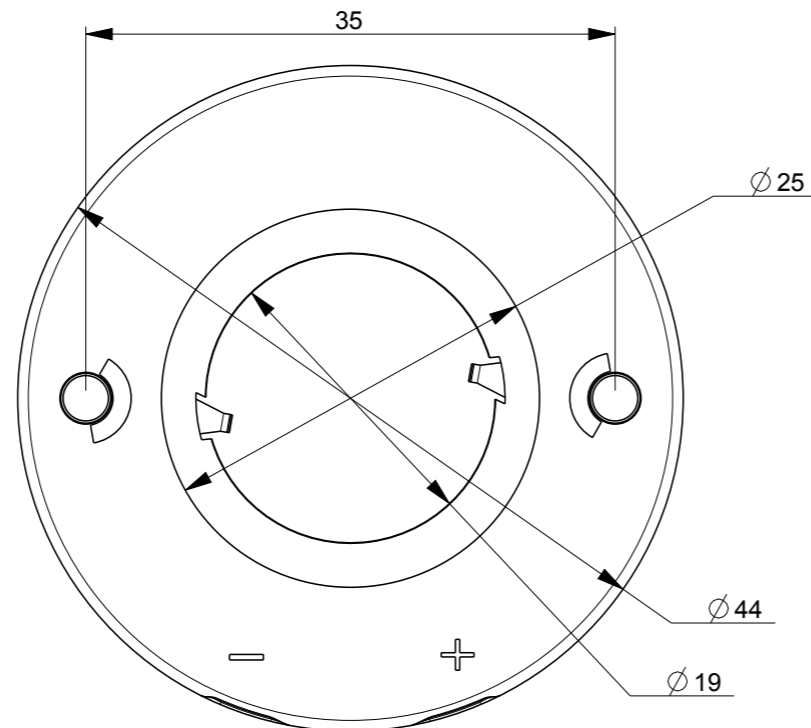


THIS DRAWING IS UNPUBLISHED. RELEASED FOR PUBLICATION  
 © COPYRIGHT- BY TYCO ELECTRONICS CORPORATION. ALL RIGHTS RESERVED.

LOC	DIST	REVISIONS					
		P	LTR	DESCRIPTION	DATE	DWN	APVD
H	-		1	INITIATE	09AUG2012	JK	JK
			2	ADDED TEXT	28NOV2012	JK	JK
			3	ADDED INFO	15MAR2013	JK	JK

NOTES:

1. MATERIALS:  
HOUSING: GLASS FILLED PBT  
COLOR : NATURAL/WHITE  
CONTACTS: SILVER PLATED COPPER ALLOY
2. FOR SOLID AND STRANDED WIRE AWG22-18
3. COMPLIES WIT DIRECTIVE 2002/95/EC (ROHS)
4. M3 SCREW TO BE USED FOR MOUNTING
5. LED HOLDER SUITABLE FOR LUXEON-K 12 AND 16 UP



LED PRESURE CONTACTS

COVER

WIRE ENTRANCE

LED ARRAY CLAMPING FEATURE

2213134-1 AS SHOWN

Z50 LED HOLDER LOW PROFILE

2213134-2	Z50 LED HOLDER STANDARD PROFILE
2213134-1	Z50 LED HOLDER LOW PROFILE
PARTNUMBER	DESCRIPTION

THIS DRAWING IS A CONTROLLED DOCUMENT.

DIMENSIONS:	TOLERANCES UNLESS OTHERWISE SPECIFIED:
mm	0 PLC ±-
	1 PLC ±-
	2 PLC ±-
	3 PLC ±-
	4 PLC ±-
	ANGLES ±-
MATERIAL	FINISH
-	-

DWN	09-AUG-2012
CHK	JK
APVD	J.V.D.KROGT
APVD	O.LEIJNSE
PRODUCT SPEC	108-133008
APPLICATION SPEC	114-32048
WEIGHT	-

<p><b>PRELIMINARY</b></p> <p>Z50 LED HOLDER FOR LUXEON-K LED ARRAY 12 AND 16 UP</p>			
NAME	SIZE	CAGE CODE	DRAWING NO
	A3	00779	C-C-2213134
RESTRICTED TO	SCALE	SHEET	OF
-	-	1	2
		REV	3

**PRELIMINARY PART**  
 NOT RELEASED FOR PRODUCTION  
 THIS PRODUCT HAS NOT COMPLETED  
 VALIDATION TESTING

SCALE 2:1

CUSTOMER DRAWING

4

3

2

1

THIS DRAWING IS UNPUBLISHED.

RELEASED FOR PUBLICATION

© COPYRIGHT-

BY TYCO ELECTRONICS CORPORATION.

ALL RIGHTS RESERVED.

LOC

DIST

REVISIONS

H

-

P

LTR

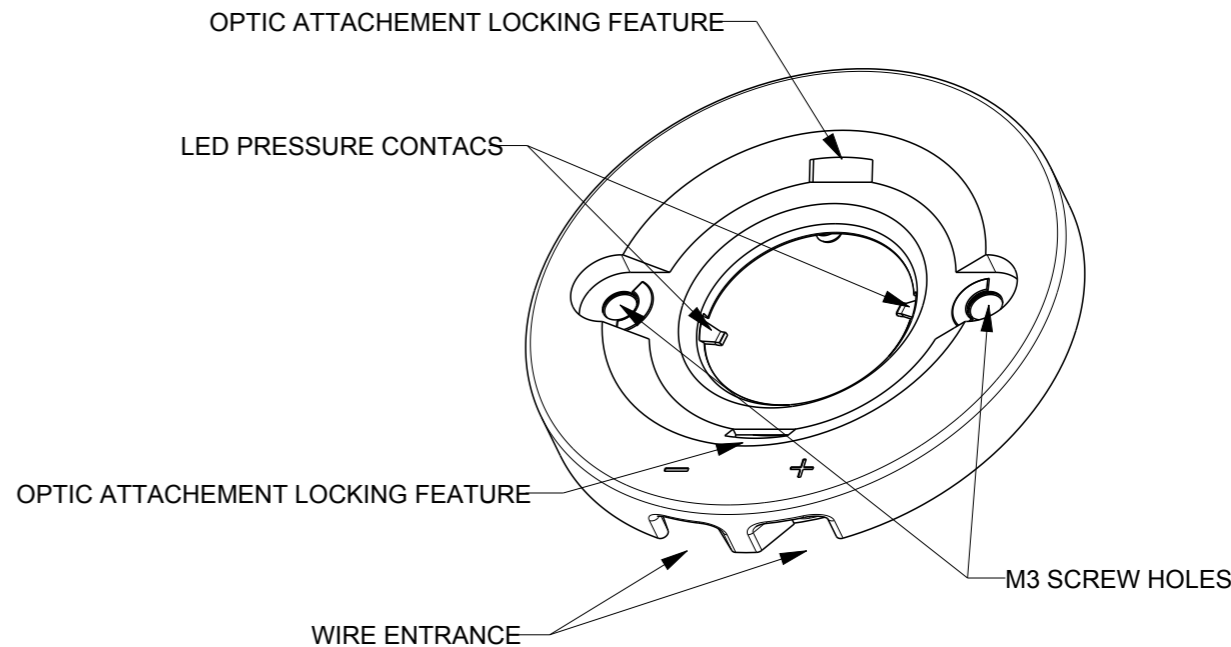
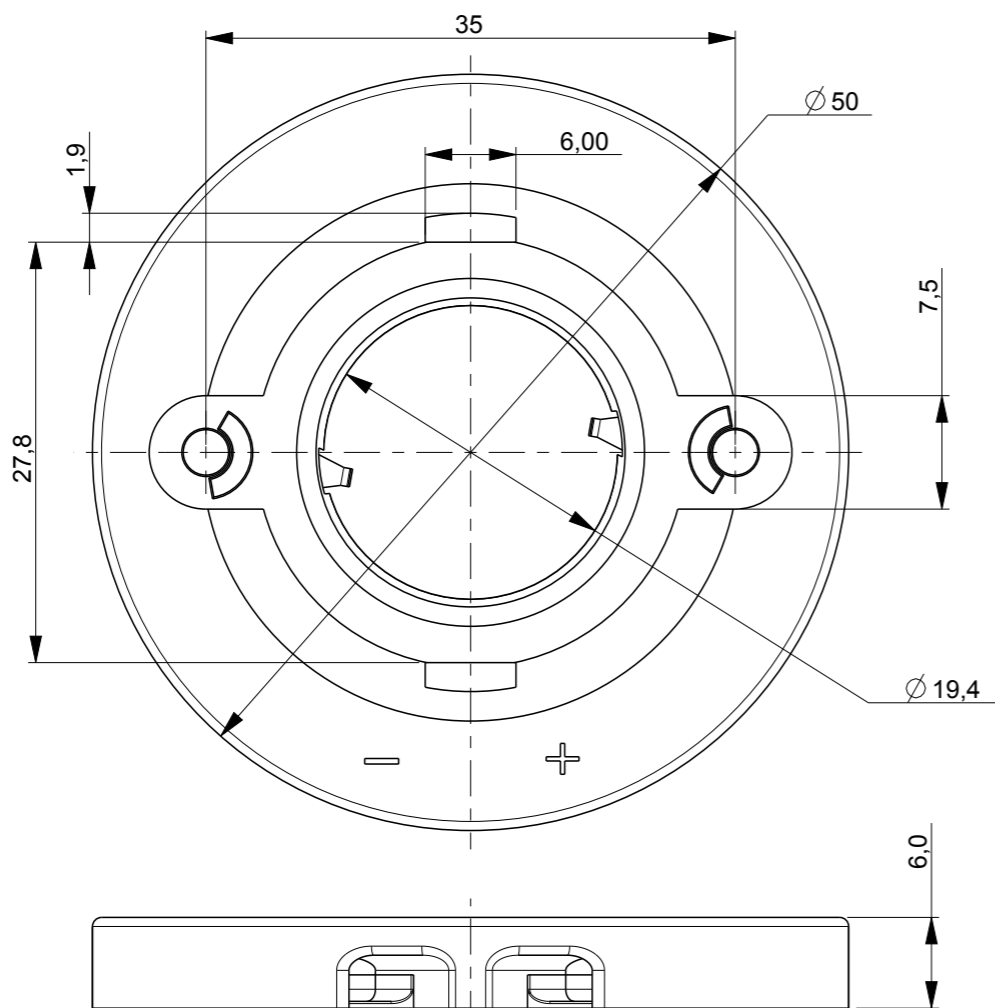
DESCRIPTION

DATE

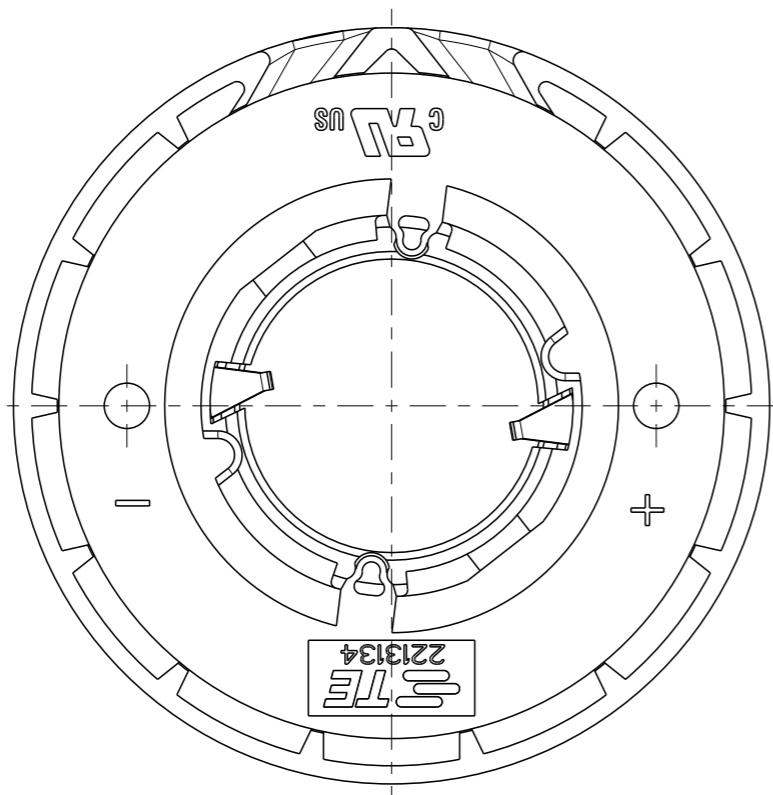
DWN

APVD

SEE SHEET 1



LED ARRAY CLAMPING FEATURE



221314-2 AS SHOWN

Z50 LED HOLDER STANDARD PROFILE

SCALE 3:2

THIS DRAWING IS A CONTROLLED DOCUMENT.

DWN 09-AUG-2012

JK

CHK 09AUG2012

J.V.D.KROGT

APVD 09AUG2012

O.LEIJNSE

PRODUCT SPEC

108-133008

APPLICATION SPEC

114-32048

WEIGHT

-



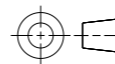
TE Connectivity

NAME  
**Z50 LED HOLDER  
 FOR LUXEON-K LED ARRAY  
 12 AND 16 UP**

SIZE	CAGE CODE	DRAWING NO	RESTRICTED TO
<b>A3</b>	00779	<b>C-C-2213134</b>	-

DIMENSIONS:

mm



TOLERANCES UNLESS OTHERWISE SPECIFIED:

0 PLC	±
1 PLC	±
2 PLC	±
3 PLC	±
4 PLC	±
ANGLES	±

MATERIAL

-

FINISH

-

CUSTOMER DRAWING

SCALE

-

SHEET

2

OF

2

REV

3