



Chipsmall Limited consists of a professional team with an average of over 10 year of expertise in the distribution of electronic components. Based in Hongkong, we have already established firm and mutual-benefit business relationships with customers from,Europe,America and south Asia,supplying obsolete and hard-to-find components to meet their specific needs.

With the principle of “Quality Parts,Customers Priority,Honest Operation,and Considerate Service”,our business mainly focus on the distribution of electronic components. Line cards we deal with include Microchip,ALPS,ROHM,Xilinx,Pulse,ON,Everlight and Freescale. Main products comprise IC,Modules,Potentiometer,IC Socket,Relay,Connector.Our parts cover such applications as commercial,industrial, and automotives areas.

We are looking forward to setting up business relationship with you and hope to provide you with the best service and solution. Let us make a better world for our industry!



Contact us

Tel: +86-755-8981 8866 Fax: +86-755-8427 6832

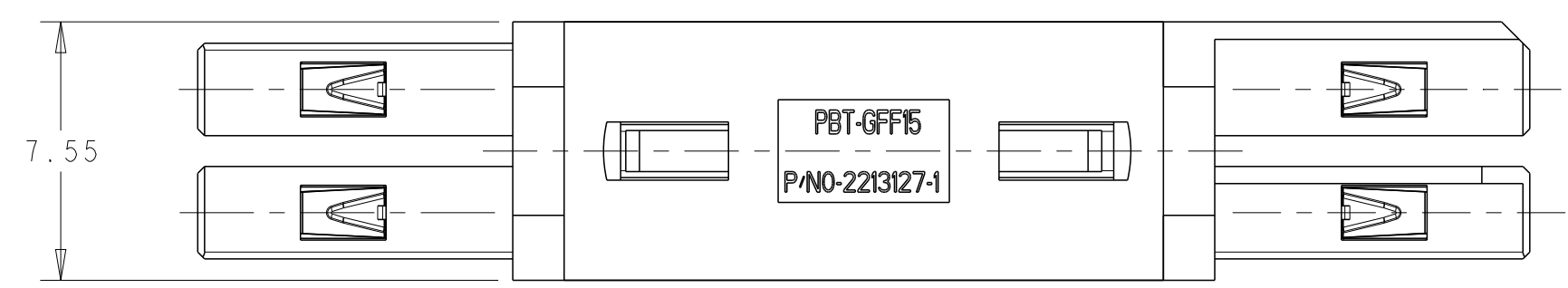
Email & Skype: info@chipsmall.com Web: www.chipsmall.com

Address: A1208, Overseas Decoration Building, #122 Zhenhua RD., Futian, Shenzhen, China



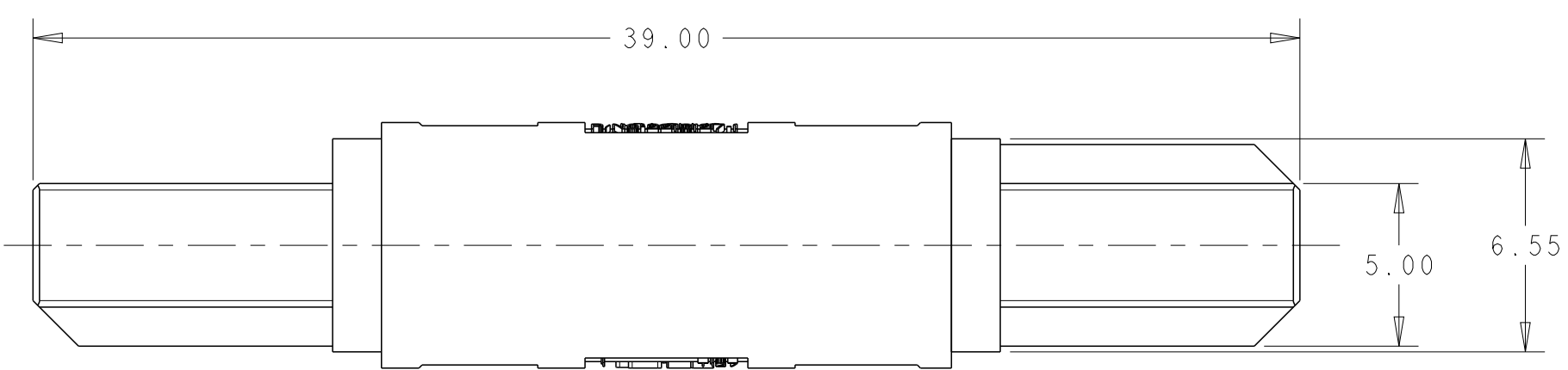
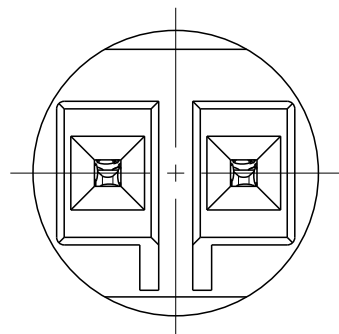
THIS DRAWING IS UNPUBLISHED. RELEASED FOR PUBLICATION 20
 © COPYRIGHT 20 BY - ALL RIGHTS RESERVED.

LOC		DIST		REVISIONS			
P	LTR	DESCRIPTION		DATE	DWN	APVD	
-	-	A1	REVISED PER ECR-13-009328	03JUL2013	RS	DD	

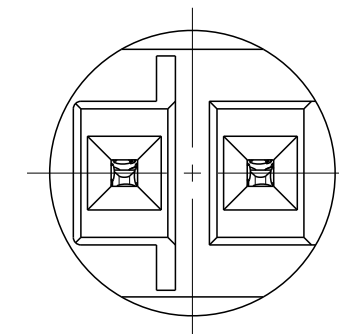


1 MATERIAL:
 CONNECTOR SYSTEM TUBE: PBT-GFF15
 COLOUR: WHITE
 PLUG HOUSING: PBT-GFF15
 COLOUR: WHITE
 RECEPTACLE CONTACT:
 CONTACT: CuNiSi
 SPRING: X10CrNi188
 SQUARE WIRE: CuSn6

POL. KEY HV-3

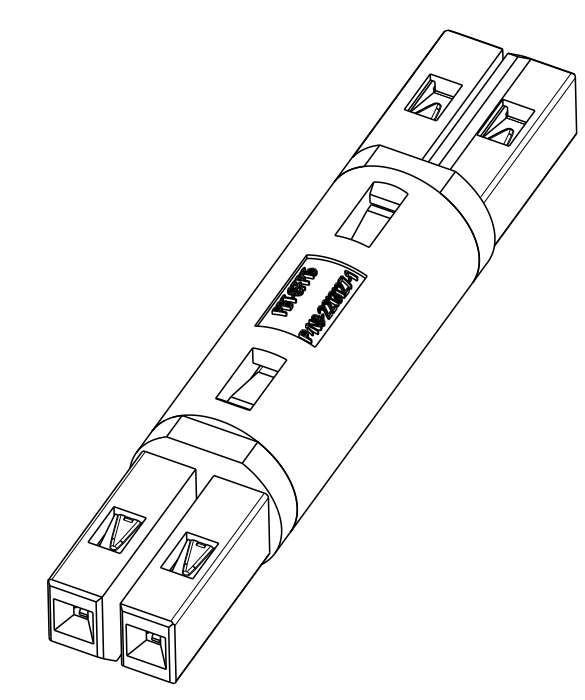
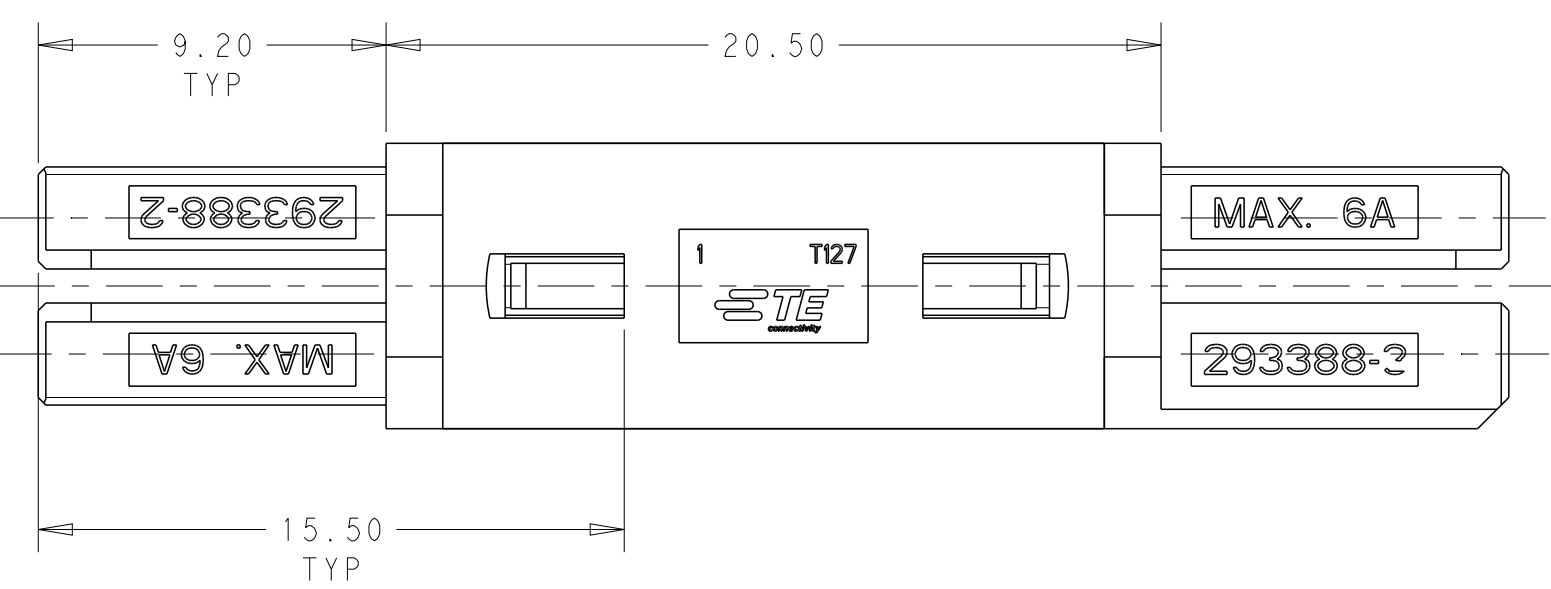


POL. KEY HV-4



2 FINISH:
 RECEPTACLE CONTACT:
 CONTACT: TIN
 SPRING: NONE
 SQUARE WIRE: TIN OVER NICKEL

3 OBSOLETE



3D VIEW
 SCALE 3:1

2213142-3 SHOWN

POLARIZATION	PART NUMBER
HV-3 & HV-4	2213142-3
LV-2	2213142-2
HV-3	2213142-1

THIS DRAWING IS A CONTROLLED DOCUMENT.		DWN RAVI.S 01AUG2012	TE Connectivity	
DIMENSIONS: mm		CHK D.DECKER 01AUG2012		
TOLERANCES UNLESS OTHERWISE SPECIFIED:		APVD D.DECKER 01AUG2012	NAME MALE-TO-MALE BRIDGE CONNECTOR	
0 PLC ±	1 PLC ±0.5	PRODUCT SPEC	-	
2 PLC ±0.13	3 PLC ±0.013	APPLICATION SPEC	-	
4 PLC ±0.0001	ANGLES ±	FINISH	SIZE	CAGE CODE
MATERIAL	1 -	2 -	A200779	DRAWING NO
			C-2213142	RESTRICTED TO
			Customer Drawing	SCALE 5:1
			SHEET 1 OF 1	REV A1