



Chipsmall Limited consists of a professional team with an average of over 10 year of expertise in the distribution of electronic components. Based in Hongkong, we have already established firm and mutual-benefit business relationships with customers from,Europe,America and south Asia,supplying obsolete and hard-to-find components to meet their specific needs.

With the principle of "Quality Parts,Customers Priority,Honest Operation,and Considerate Service",our business mainly focus on the distribution of electronic components. Line cards we deal with include Microchip,ALPS,ROHM,Xilinx,Pulse,ON,Everlight and Freescale. Main products comprise IC,Modules,Potentiometer,IC Socket,Relay,Connector.Our parts cover such applications as commercial,industrial, and automotives areas.

We are looking forward to setting up business relationship with you and hope to provide you with the best service and solution. Let us make a better world for our industry!



Contact us

Tel: +86-755-8981 8866 Fax: +86-755-8427 6832

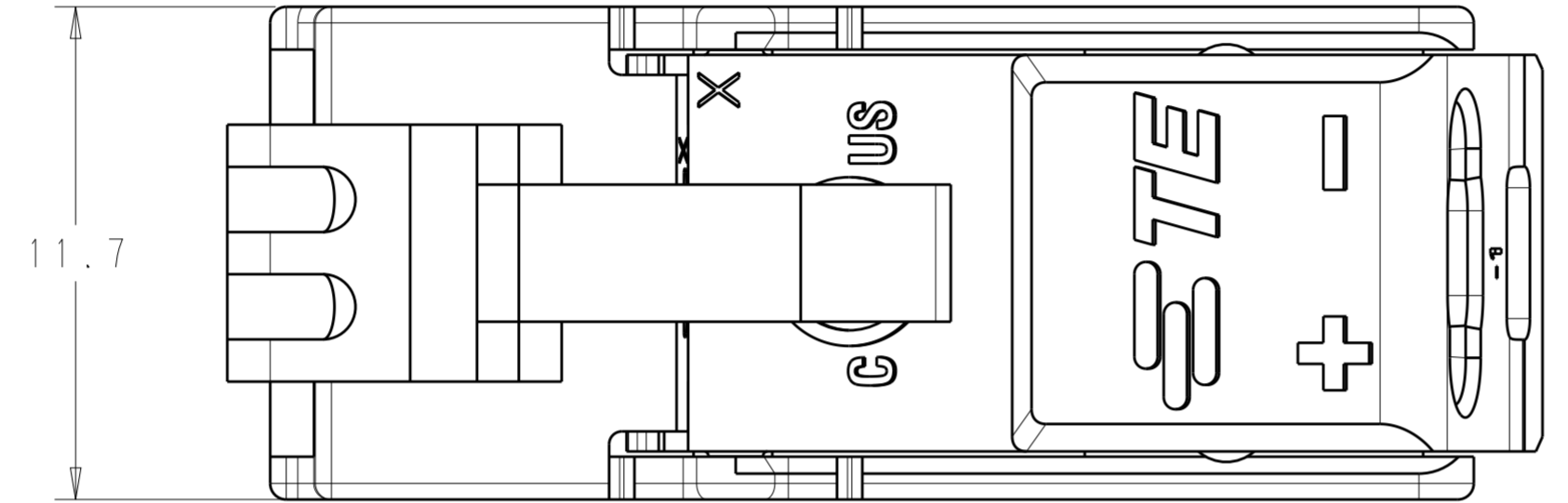
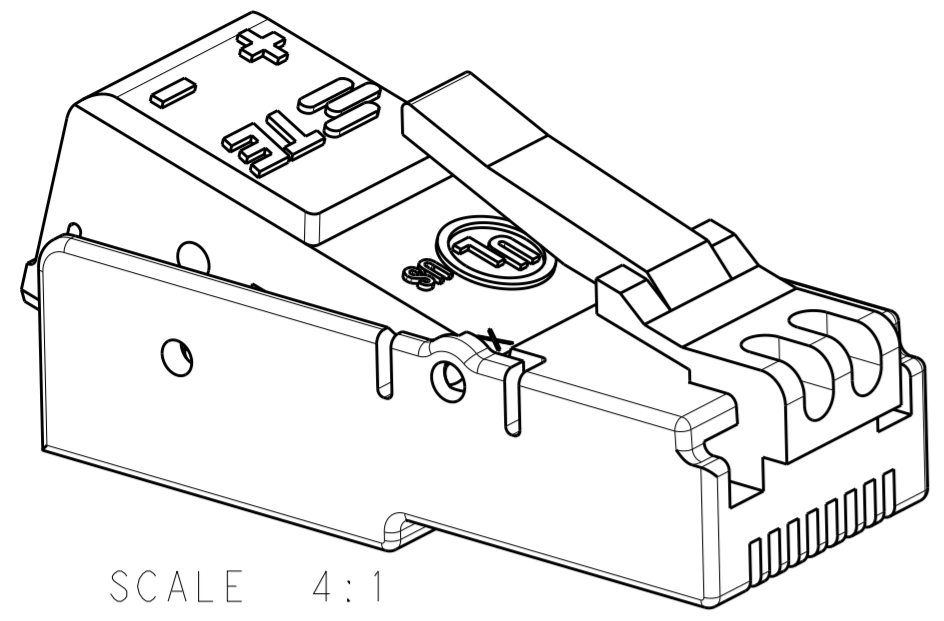
Email & Skype: info@chipsmall.com Web: www.chipsmall.com

Address: A1208, Overseas Decoration Building, #122 Zhenhua RD., Futian, Shenzhen, China

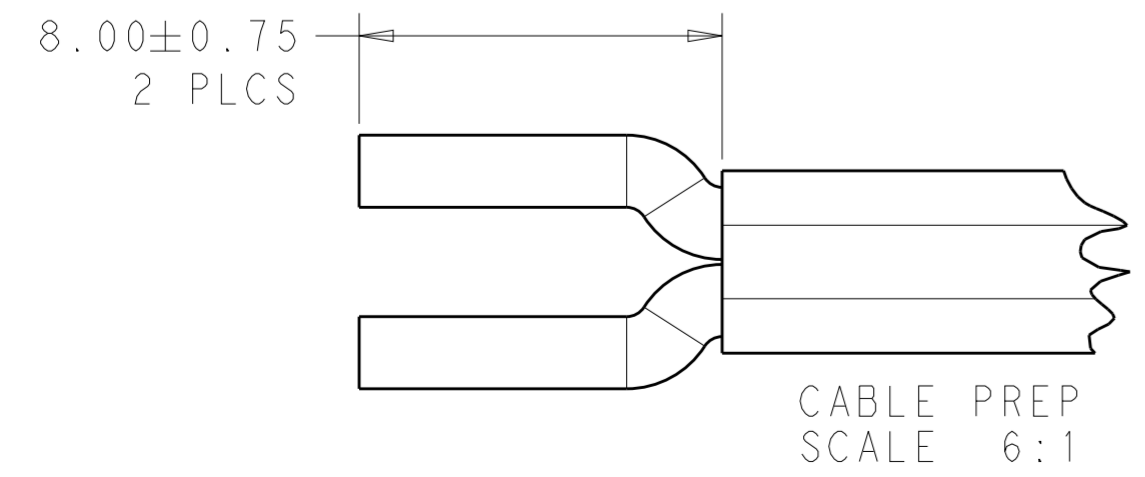
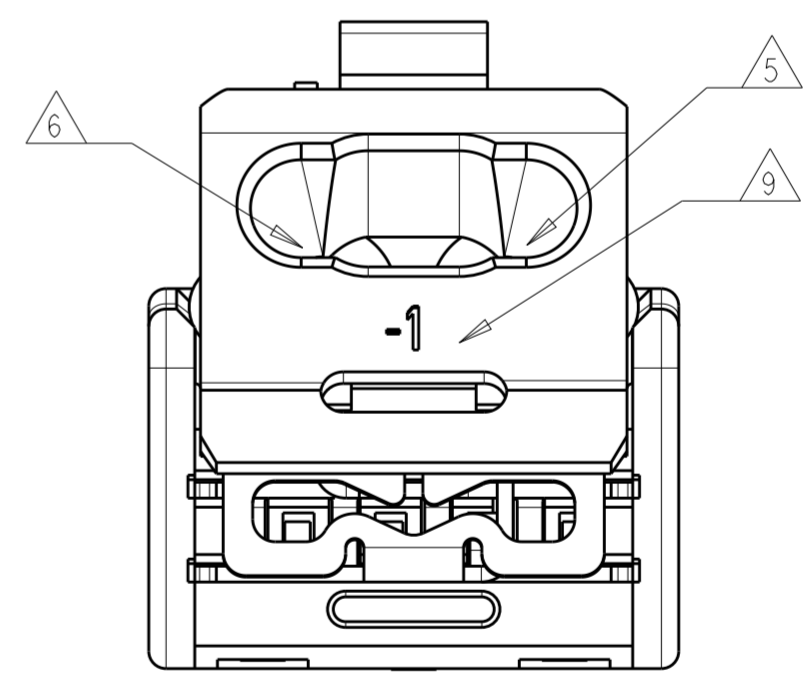
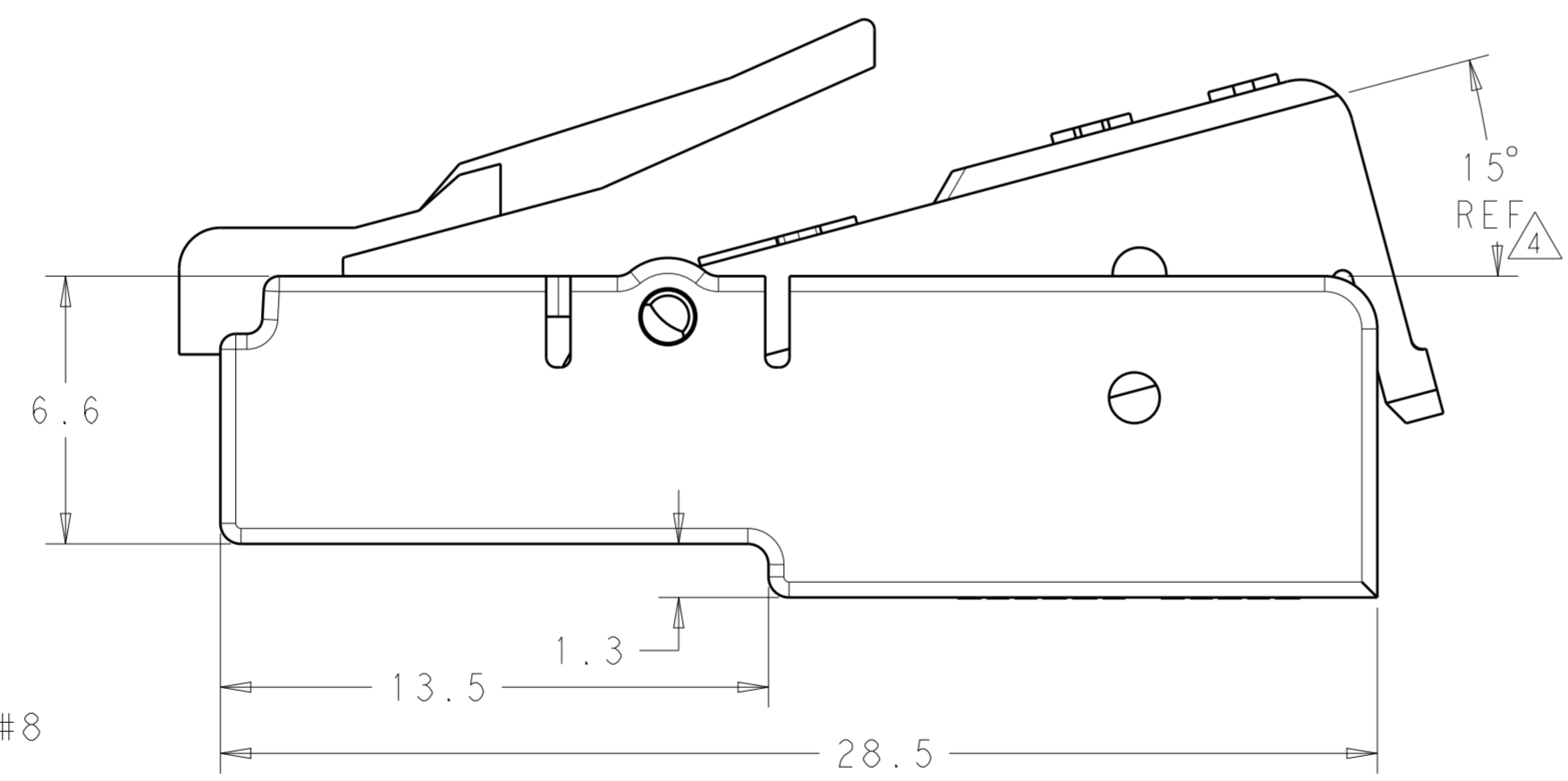
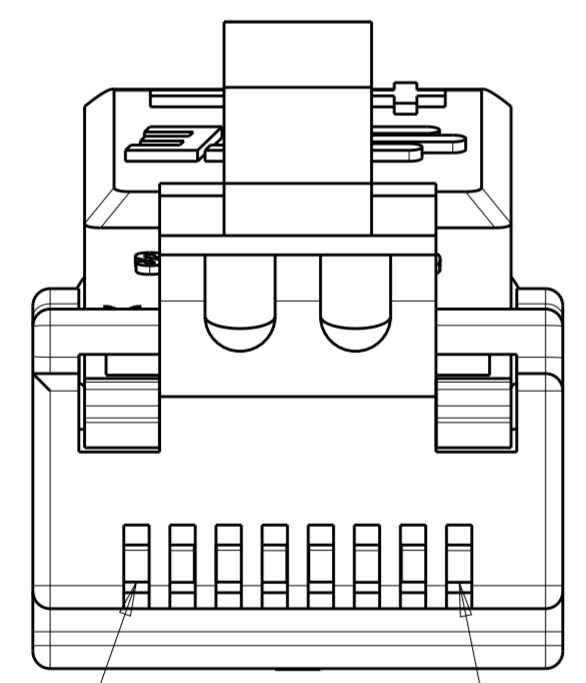


THIS DRAWING IS UNPUBLISHED. RELEASED FOR PUBLICATION 20
 © COPYRIGHT 20 BY - ALL RIGHTS RESERVED.

REVISIONS							
LOC	DIST	P	LTR	DESCRIPTION	DATE	DWN	APVD
-	-	A		REVISED PER ECR-13-018848	09DEC2013	RS	DD



- 1 MATERIALS AND FINISH:
 -HOUSING: PC, COLOR: ORANGE
 -STUFFER: PC, COLOR: REFERENCE TABLE
 -CONTACTS: COPPER ALLOY, FINISH: Sn OVER Ni WITH Au/Pd Ni ON CONTACT MATING INTERFACE
- 2. MUST COMPLY WITH DIRECTIVE 2002/95/EC (ROHS)
- 3. THIS PRODUCT HAS NOT COMPLETED VALIDATION TESTING
- 4 STUFFER SHOWN IN AS SUPPLIED CONDITION
- 5 WIRE ENTRY POSITION TO INTERFACE POSITIONS 1, 3, 5, 7
- 6 WIRE ENTRY POSITION TO INTERFACE POSITIONS 2, 4, 6, 8
- 7 DESIGNED FOR USE WITH BELDEN 6300UE CABLE WITH 2 - 18AWG CONDUCTORS
- 8 DESIGNED FOR USE WITH LEONI H03VVH2-F CABLE WITH 2 - 0.75mm² CONDUCTORS
- 9 APPROPRIATE ASSEMBLY DASH PART NUMBER (-1 OR -2) INDICATOR THIS AREA



BLUE	8	2213145-2
CLEAR	7	2213145-1
STUFFER COLOR	CABLE	PART NO.

THIS DRAWING IS A CONTROLLED DOCUMENT.		DWN C. DAILY 30AUG2012	TE Connectivity	
		CHK E. HOWARD 30AUG2012		
DIMENSIONS:	TOLERANCES UNLESS OTHERWISE SPECIFIED:	APVD	NAME	
mm	0 PLC ± 1 PLC ±0.2 2 PLC ±0.15 3 PLC ± 4 PLC ± ANGLES ±2° FINISH	PRODUCT SPEC 108-133010	CONNECTOR ASSEMBLY, PIVOT POWER RJ45	
MATERIAL		APPLICATION SPEC 114-32052	SIZE A200779	DRAWING NO C-2213145
		WEIGHT	RESTRICTED TO	
		Customer Drawing	SCALE 6:1	SHEET 1 OF 1 REV A