



Chipsmall Limited consists of a professional team with an average of over 10 year of expertise in the distribution of electronic components. Based in Hongkong, we have already established firm and mutual-benefit business relationships with customers from,Europe,America and south Asia,supplying obsolete and hard-to-find components to meet their specific needs.

With the principle of "Quality Parts,Customers Priority,Honest Operation,and Considerate Service",our business mainly focus on the distribution of electronic components. Line cards we deal with include Microchip,ALPS,ROHM,Xilinx,Pulse,ON,Everlight and Freescale. Main products comprise IC,Modules,Potentiometer,IC Socket,Relay,Connector.Our parts cover such applications as commercial,industrial, and automotives areas.

We are looking forward to setting up business relationship with you and hope to provide you with the best service and solution. Let us make a better world for our industry!



Contact us

Tel: +86-755-8981 8866 Fax: +86-755-8427 6832

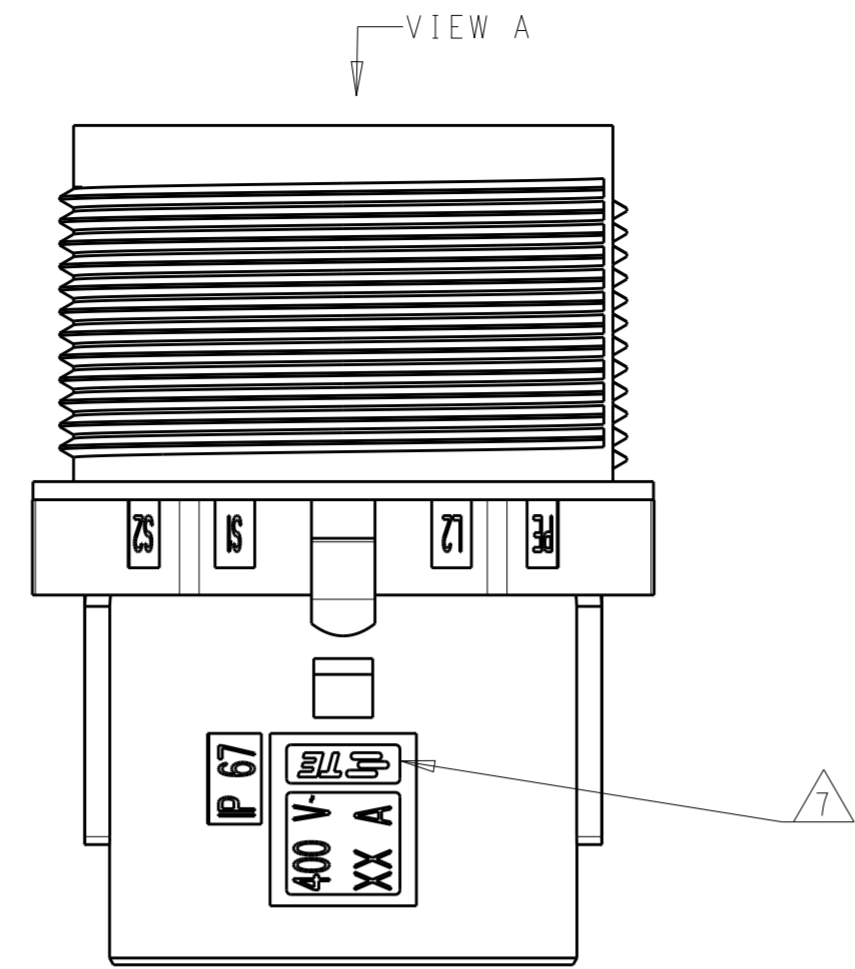
Email & Skype: info@chipsmall.com Web: www.chipsmall.com

Address: A1208, Overseas Decoration Building, #122 Zhenhua RD., Futian, Shenzhen, China

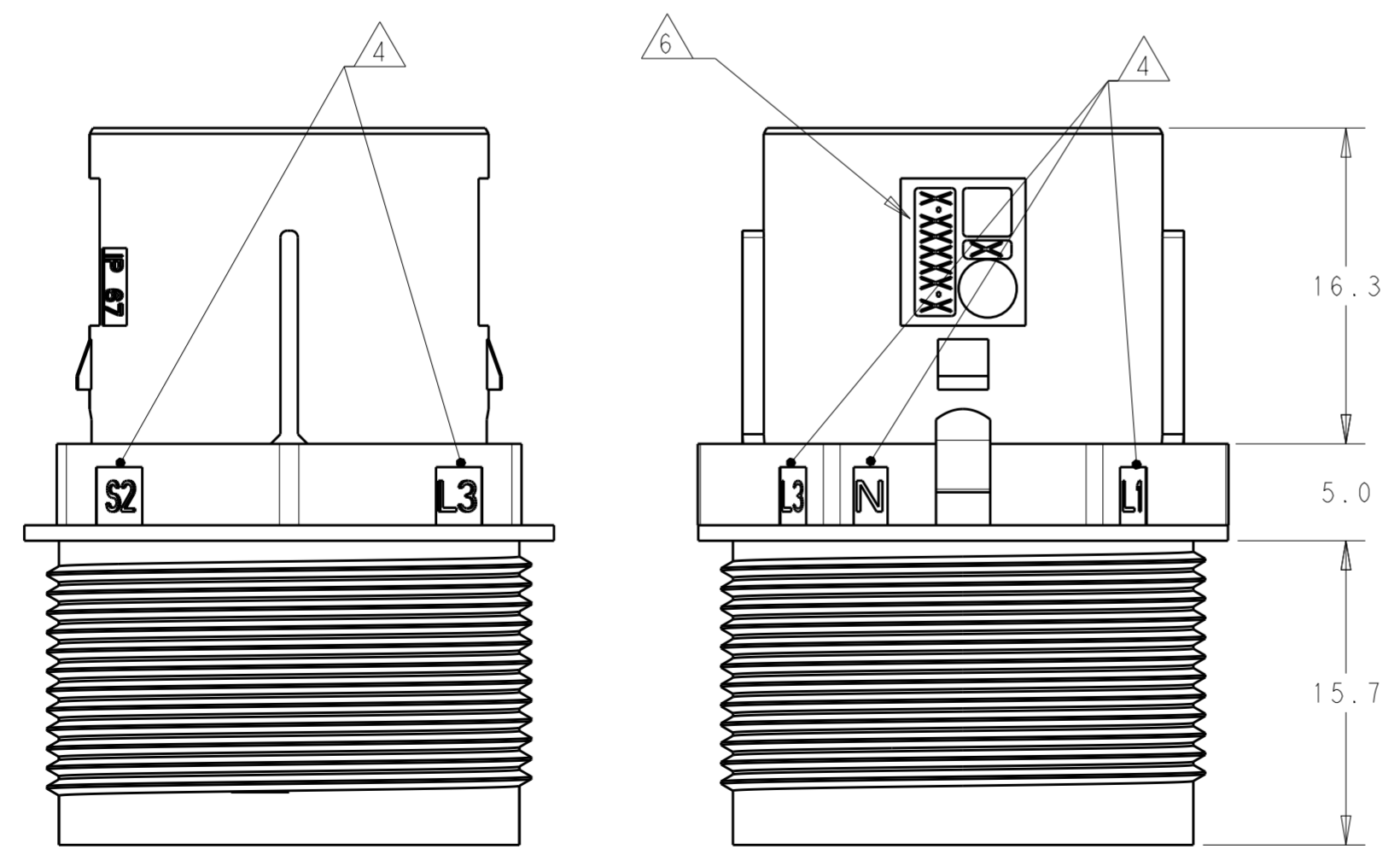
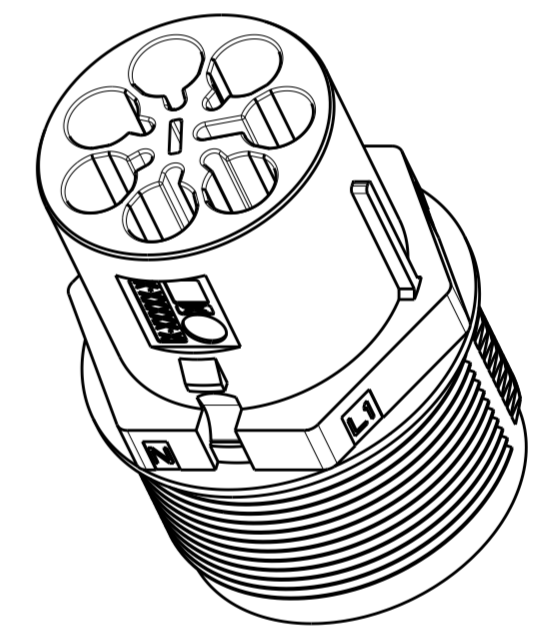
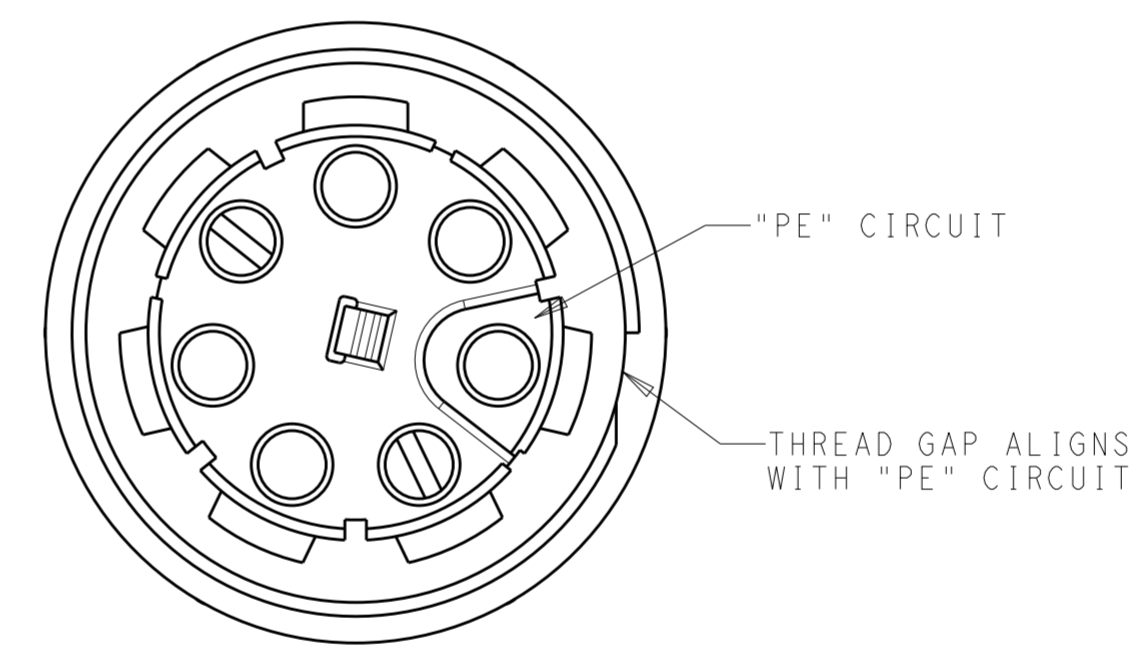
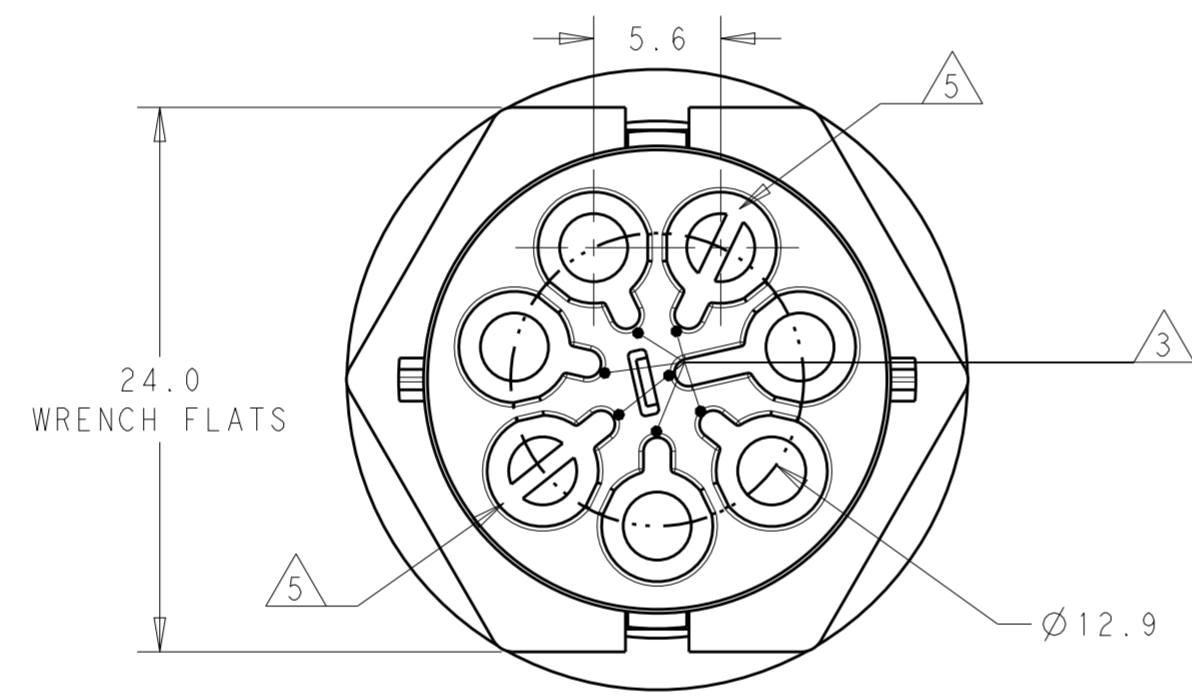


THIS DRAWING IS UNPUBLISHED. RELEASED FOR PUBLICATION 20
 © COPYRIGHT 20 BY - ALL RIGHTS RESERVED.

REVISIONS				
P	LTR	DESCRIPTION	DATE	APVD
A		REVISED PER ECR-15-008747	12JUN2015	RS JL



- NOTES:
1. MATERIAL: GLASS FILLED PBT, COLOR: BLACK
 2. MUST COMPLY WITH DIRECTIVE 2002/95/EC (ROHS)
 3. ALL POLARIZATION KEYS SHOWN FOR REF ONLY.
 4. CIRCUIT I.D.
 5. CIRCUITS "L2" AND "L3" ARE BLOCKED TO PREVENT CONTACT INSTALLATION.
 6. TE PART NUMBER
 7. TE LOGO

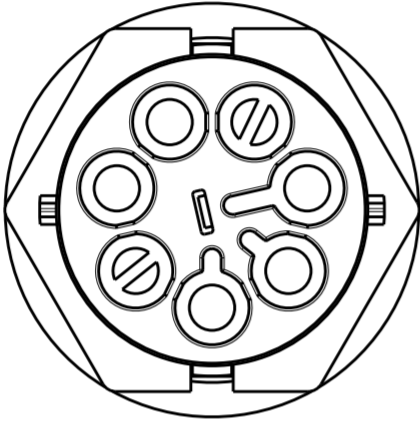
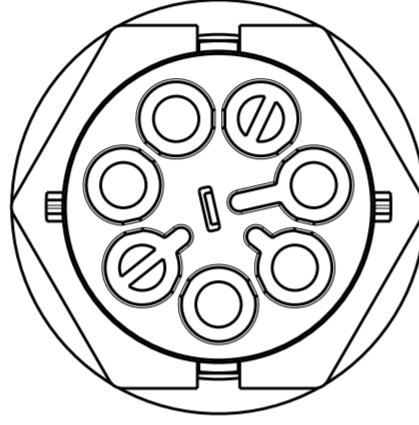
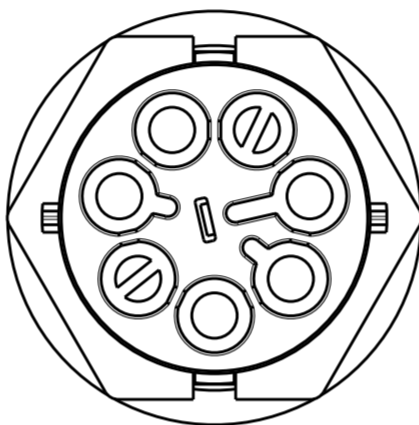
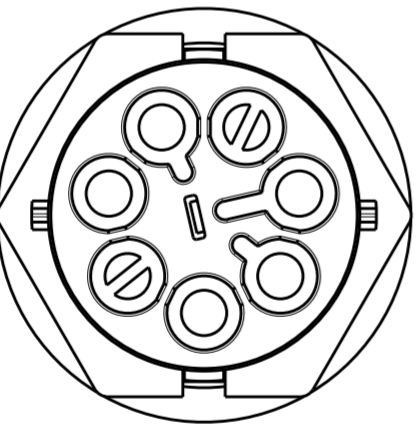
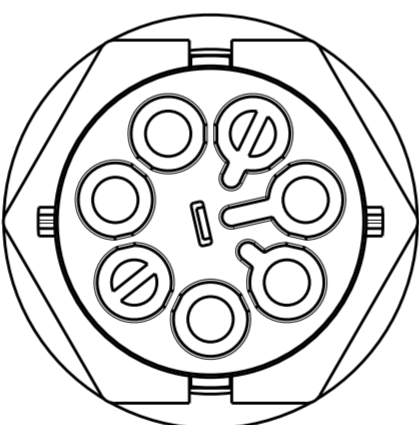



POLARIZATION TYPE	DESCRIPTION	PART NUMBER
E	FREE HANGING PIN. SEALED NECTOR M, 5 POSN	2213228-5
D	FREE HANGING PIN. SEALED NECTOR M, 5 POSN	2213228-4
C	FREE HANGING PIN. SEALED NECTOR M, 5 POSN	2213228-3
B	FREE HANGING PIN. SEALED NECTOR M, 5 POSN	2213228-2
A	FREE HANGING PIN. SEALED NECTOR M, 5 POSN	2213228-1

THIS DRAWING IS A CONTROLLED DOCUMENT.		DWN J. SHAFFER 16 JAN 2014	TE Connectivity	
DIMENSIONS: mm		CHK M. LUKSIC 16 JAN 2014		
TOLERANCES UNLESS OTHERWISE SPECIFIED:		APVD M. LUKSIC 16 JAN 2014	NAME FREE HANGING PIN HOUSING: SEALED NECTOR M-LINE, 5 POSN	
0 PLC ±		PRODUCT SPEC 108-133014	SIZE A2	
1 PLC ±0.2		APPLICATION SPEC 114-32111	CAGE CODE -	
2 PLC ±0.13		WEIGHT -	DRAWING NO G-2213228	
3 PLC ±		RESTRICTED TO -	SCALE 1:1	
4 PLC ±		Customer Drawing	SHEET 1 OF 2	
ANGLES ±			REV A	
FINISH ±				
MATERIAL NOTE 1				

THIS DRAWING IS UNPUBLISHED. RELEASED FOR PUBLICATION 20
 © COPYRIGHT 20 BY - ALL RIGHTS RESERVED.

REVISIONS				
P	LTR	DESCRIPTION	DATE	APVD
-		SEE SHEET 1	-	-

POLARIZATION TYPES		
POLARIZATION TYPE "A"	POLARIZATION TYPE "B"	POLARIZATION TYPE "C"
		
PN: 2213228-1	PN: 2213228-2	PN: 2213228-3
POLARIZATION TYPE "D"	POLARIZATION TYPE "E"	
		
PN: 2213228-4	PN: 2213228-5	

THIS DRAWING IS A CONTROLLED DOCUMENT.		DWN J. SHAFFER 16 JAN 2014	 TE Connectivity	
DIMENSIONS: mm		CHK M. LUKSIC 16 JAN 2014		
TOLERANCES UNLESS OTHERWISE SPECIFIED:		APVD M. LUKSIC 16 JAN 2014	NAME FREE HANGING PIN HOUSING: SEALED NECTOR M-LINE, 5 POSN	
0 PLC ± 1 PLC ±0.2 2 PLC ±0.13 3 PLC ± 4 PLC ±		PRODUCT SPEC 108-133014	RESTRICTED TO	
MATERIAL NOTE 1		APPLICATION SPEC 114-32111	SIZE A2	CAGE CODE -
FINISH -		WEIGHT -	DRAWING NO C-2213228	SCALE 1:1
		Customer Drawing	SHEET 2	OF 2
			REV A	