



Chipsmall Limited consists of a professional team with an average of over 10 year of expertise in the distribution of electronic components. Based in Hongkong, we have already established firm and mutual-benefit business relationships with customers from,Europe,America and south Asia,supplying obsolete and hard-to-find components to meet their specific needs.

With the principle of “Quality Parts,Customers Priority,Honest Operation,and Considerate Service”,our business mainly focus on the distribution of electronic components. Line cards we deal with include Microchip,ALPS,ROHM,Xilinx,Pulse,ON,Everlight and Freescale. Main products comprise IC,Modules,Potentiometer,IC Socket,Relay,Connector.Our parts cover such applications as commercial,industrial, and automotives areas.

We are looking forward to setting up business relationship with you and hope to provide you with the best service and solution. Let us make a better world for our industry!



Contact us

Tel: +86-755-8981 8866 Fax: +86-755-8427 6832

Email & Skype: info@chipsmall.com Web: www.chipsmall.com

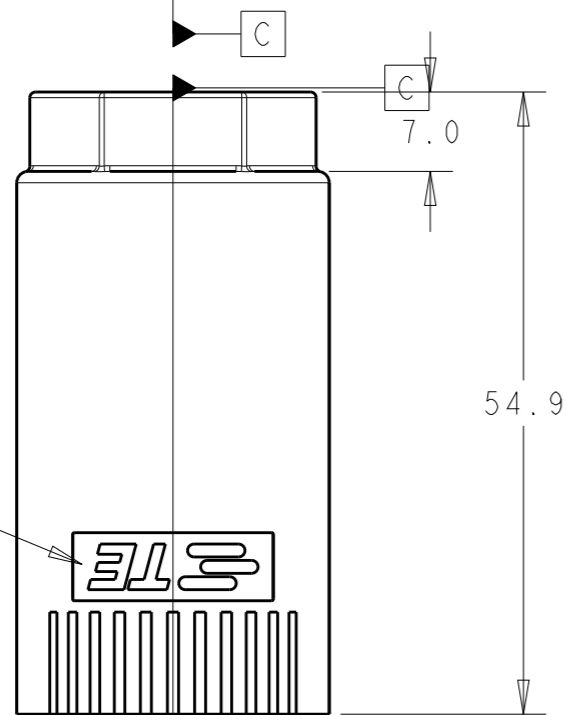
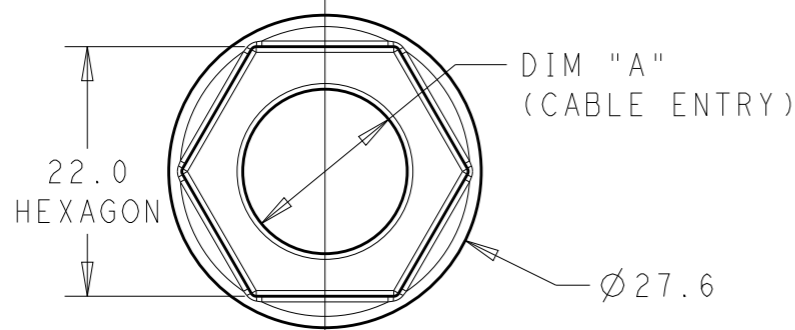
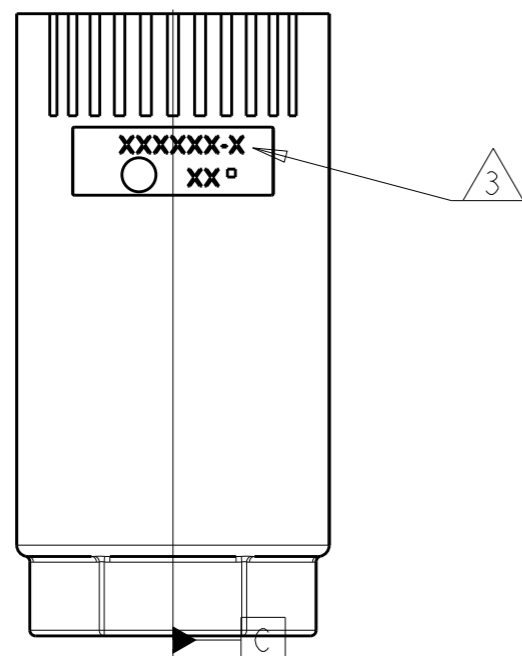
Address: A1208, Overseas Decoration Building, #122 Zhenhua RD., Futian, Shenzhen, China



THIS DRAWING IS UNPUBLISHED. RELEASED FOR PUBLICATION 20
 © COPYRIGHT 20 BY - ALL RIGHTS RESERVED.

REVISIONS

P	LTR	DESCRIPTION	DATE	DWN	APVD
	A	REVISED AS PER ECR-15-005925	21APR2015	RS	JL



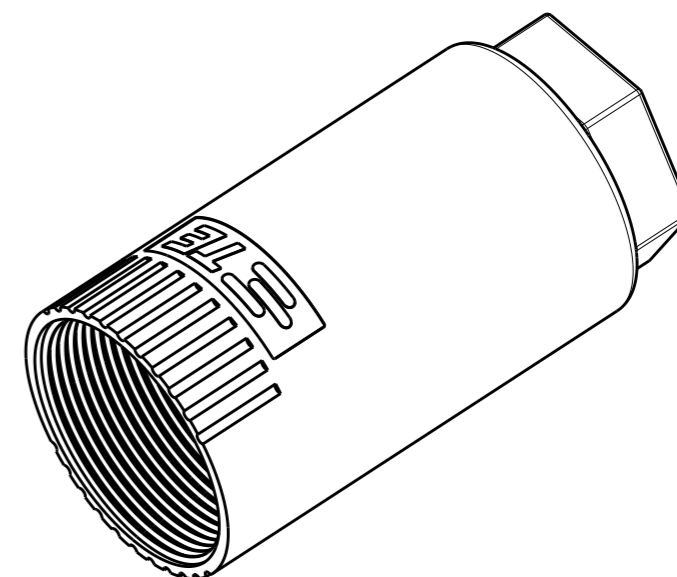
NOTES:

- 1. MATERIAL - GLASS FILLED PBT, COLOR BLACK
- 2. MUST COMPLY WITH DIRECTIVE 2002/95/EC (ROHS)

△3 TE PART NUMBER

△4 TE LOGO

5. THIS PRODUCT HAS NOT COMPLETED VALIDATION TESTING



14.0 - 17.0	17.5	2213229-2
11.0 - 14.0	14.5	2213229-1
CABLE DIA MAX	DIA "A"	PART NO.

THIS DRAWING IS A CONTROLLED DOCUMENT.		DWN J. SHAFFER 15JAN2014	TE Connectivity	
DIMENSIONS: mm		CHK M. LUKSIC 15JAN2014		
TOLERANCES UNLESS OTHERWISE SPECIFIED:		APVD M. LUKSIC 15JAN2014	NAME RING NUT, 5/6/7 POSITION, SEALED, NECTOR M-LINE	
0 PLC ±-		PRODUCT SPEC 108-133014	SIZE A3	
1 PLC ±0.2		APPLICATION SPEC 114-32111	CAGE CODE -	
2 PLC ±0.13		WEIGHT -	DRAWING NO C=2213229	
3 PLC ±-		MATERIAL NOTE 1	RESTRICTED TO -	
4 PLC ±-			SCALE 1:1	
ANGLES ±-		SHEET 1 OF 1		REV A
FINISH -		Customer Drawing		