



Chipsmall Limited consists of a professional team with an average of over 10 year of expertise in the distribution of electronic components. Based in Hongkong, we have already established firm and mutual-benefit business relationships with customers from,Europe,America and south Asia,supplying obsolete and hard-to-find components to meet their specific needs.

With the principle of “Quality Parts,Customers Priority,Honest Operation,and Considerate Service”,our business mainly focus on the distribution of electronic components. Line cards we deal with include Microchip,ALPS,ROHM,Xilinx,Pulse,ON,Everlight and Freescale. Main products comprise IC,Modules,Potentiometer,IC Socket,Relay,Connector.Our parts cover such applications as commercial,industrial, and automotives areas.

We are looking forward to setting up business relationship with you and hope to provide you with the best service and solution. Let us make a better world for our industry!



Contact us

Tel: +86-755-8981 8866 Fax: +86-755-8427 6832

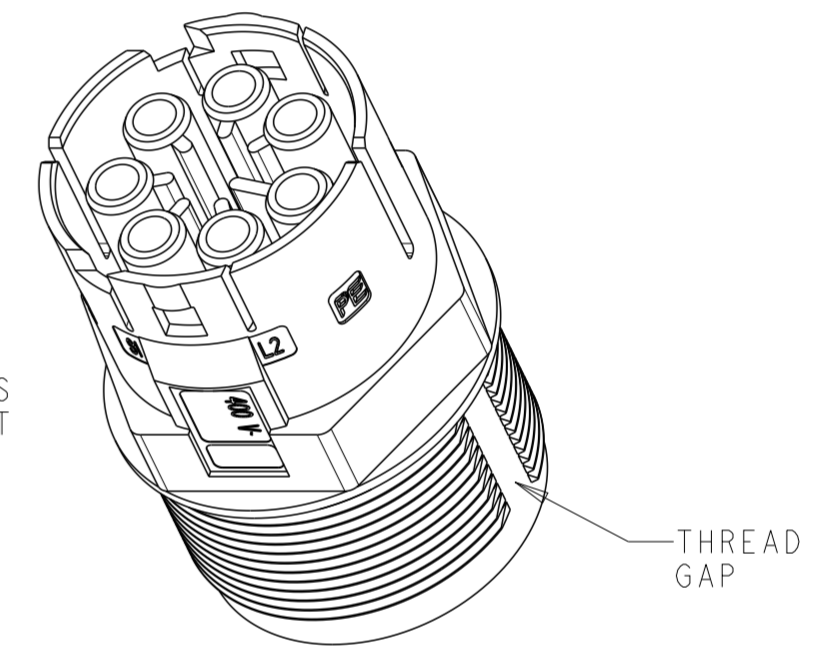
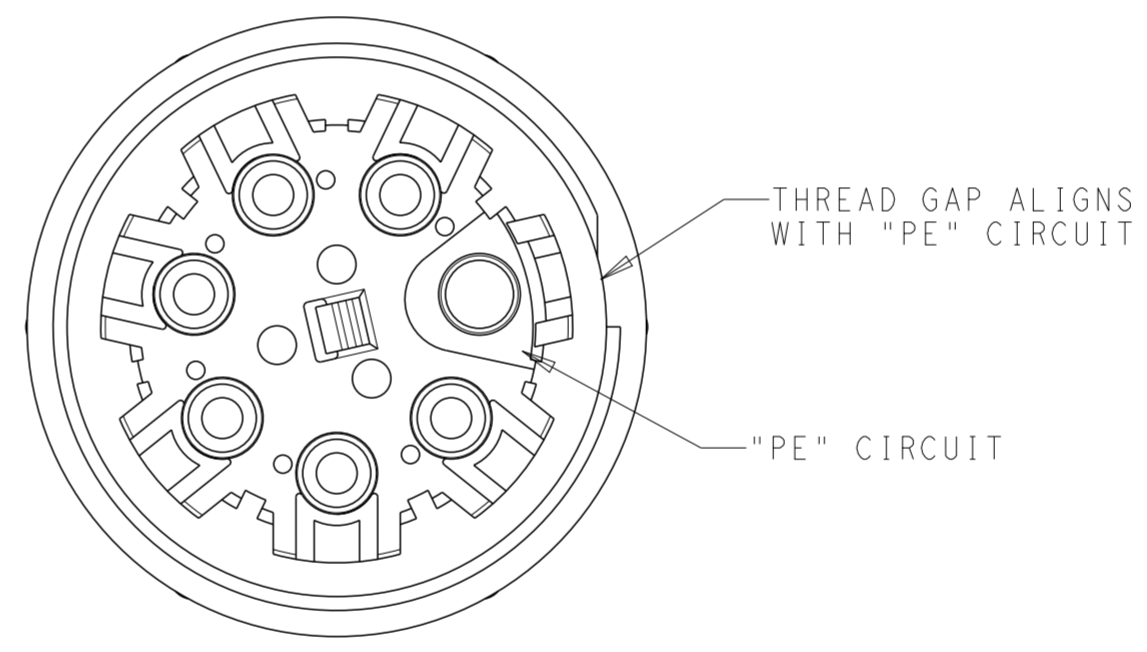
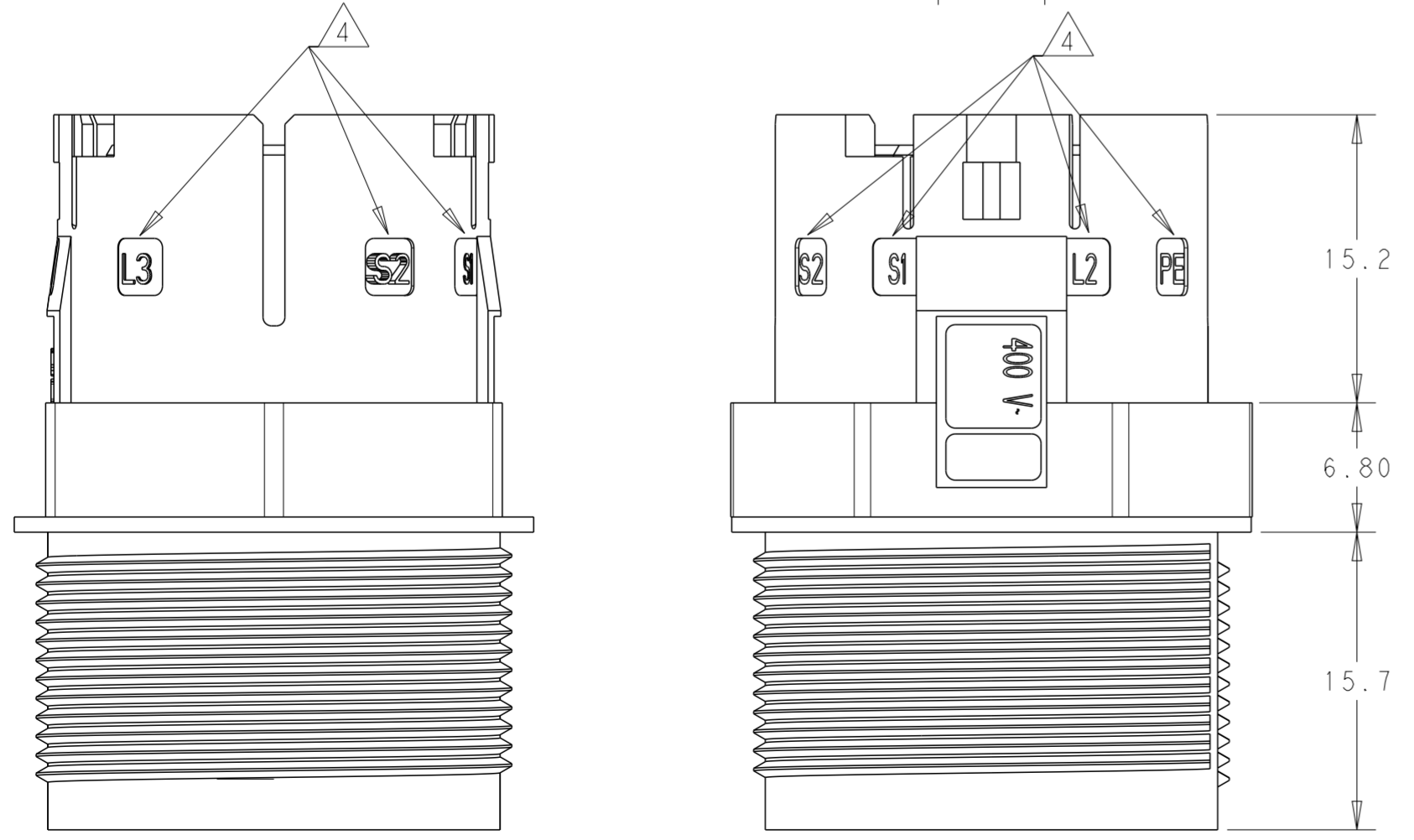
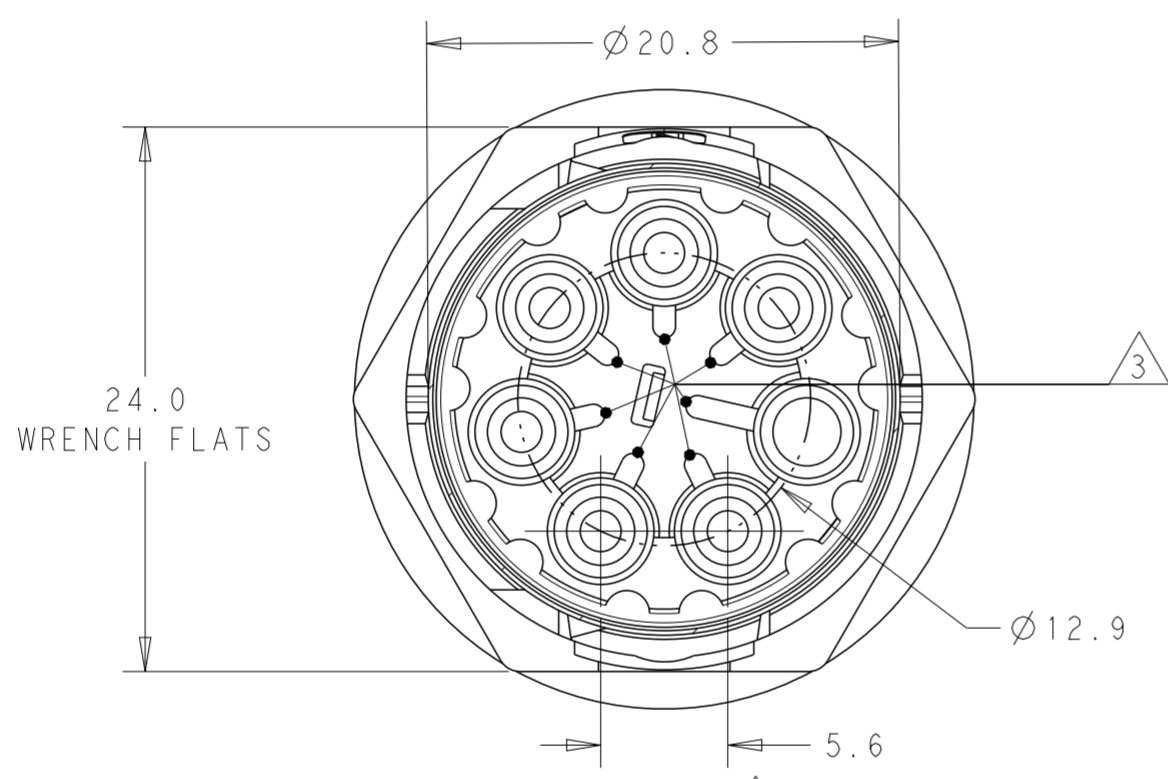
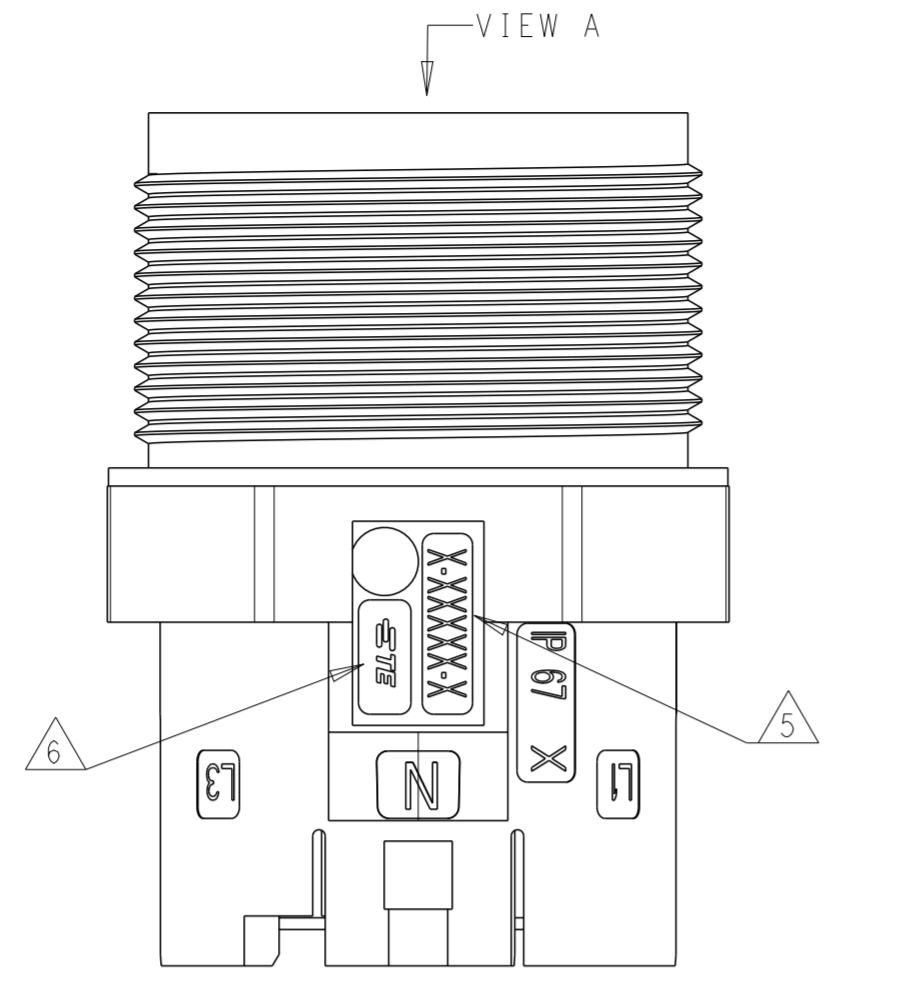
Email & Skype: info@chipsmall.com Web: www.chipsmall.com

Address: A1208, Overseas Decoration Building, #122 Zhenhua RD., Futian, Shenzhen, China



THIS DRAWING IS UNPUBLISHED. RELEASED FOR PUBLICATION 20
 © COPYRIGHT 20 BY - ALL RIGHTS RESERVED.

REVISIONS					
P	LTR	DESCRIPTION	DATE	DWN	APVD
A		REVISED AS PER ECR-15-005925	21APR2015	RS	JL
B		REVISED AS PER ECR-16-000859	08MAR2016	RS	JL



NOTES:

1. MATERIAL: GLASS FILLED PBT, COLOR: BLACK
2. MUST COMPLY WITH DIRECTIVE 2002/95/EC (ROHS)
3. ALL POLARIZATION KEYS SHOWN FOR REF ONLY.
4. CIRCUIT I.D.
5. TE PART NUMBER
6. TE LOGO
7. THIS PRODUCT HAS NOT COMPLETED VALIDATION TESTING

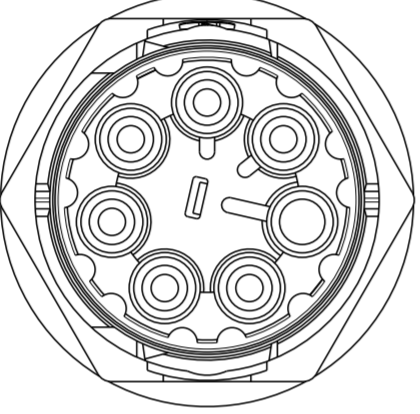
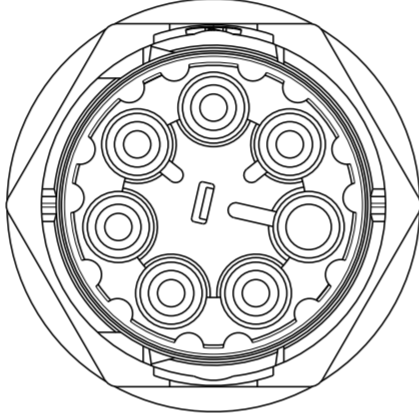
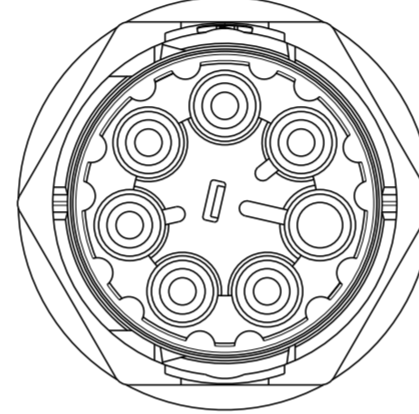
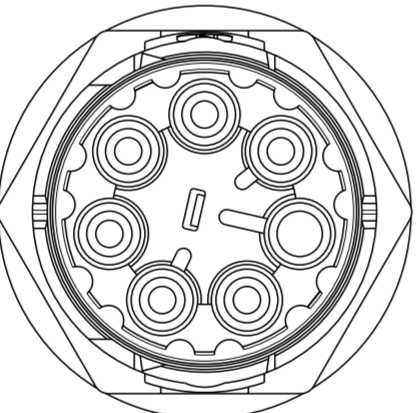
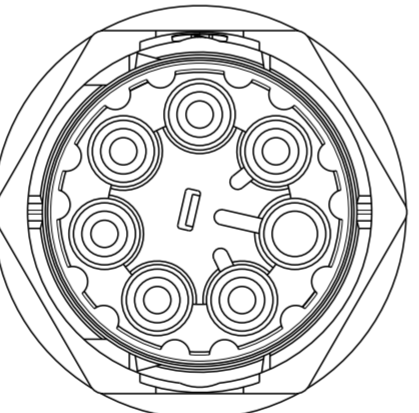
VIEW A
SCALE 3:1


E	FREE HANGING SKT. SEALED NECTOR M, 7 POSN	2213240-5
D	FREE HANGING SKT. SEALED NECTOR M, 7 POSN	2213240-4
C	FREE HANGING SKT. SEALED NECTOR M, 7 POSN	2213240-3
B	FREE HANGING SKT. SEALED NECTOR M, 7 POSN	2213240-2
A	FREE HANGING SKT. SEALED NECTOR M, 7 POSN	2213240-1
POLARIZATION TYPE	DESCRIPTION	PART NUMBER

THIS DRAWING IS A CONTROLLED DOCUMENT.		DWN J. SHAFFER 12NOV2013	TE Connectivity	
DIMENSIONS: mm		CHK M. LUKSIC 12NOV2013		
TOLERANCES UNLESS OTHERWISE SPECIFIED:		APVD M. LUKSIC 12NOV2013		
0 PLC ±	1 PLC ±0.2	PRODUCT SPEC 108-133014	NAME FREE HANGING, SOCKET: SEALED NECTOR M, 7 POSN	
2 PLC ±0.13	3 PLC ±	APPLICATION SPEC 114-32111	SIZE A2	CAGE CODE -
4 PLC ±	ANGLES ±	WEIGHT -	DRAWING NO G-2213240	RESTRICTED TO -
FINISH -	-	CUSTOMER DRAWING	SCALE 2:1	SHEET 1 OF 2
NOTE 1	-			REV B

THIS DRAWING IS UNPUBLISHED. RELEASED FOR PUBLICATION 20
 © COPYRIGHT 20 BY - ALL RIGHTS RESERVED.

REVISIONS				
P	LTR	DESCRIPTION	DATE	APVD
-	-	SEE SHEET 1	-	-

POLARIZATION TYPES		
POLARIZATION TYPE "A"	POLARIZATION TYPE "B"	POLARIZATION TYPE "C"
		
PN: 2213240-1	PN: 2213240-2	PN: 2213240-3
POLARIZATION TYPE "D"	POLARIZATION TYPE "E"	
		
PN: 2213240-4	PN: 2213240-5	

THIS DRAWING IS A CONTROLLED DOCUMENT.		DWN J. SHAFFER 12NOV2013	 TE Connectivity			
DIMENSIONS: mm		CHK M. LUKSIC 12NOV2013				
TOLERANCES UNLESS OTHERWISE SPECIFIED:		APVD M. LUKSIC 12NOV2013	NAME FREE HANGING, SOCKET: SEALED NECTOR M, 7 POSN			
0 PLC ± 1 PLC ±0.2 2 PLC ±0.13 3 PLC ± 4 PLC ± ANGLES ± FINISH		PRODUCT SPEC 108-133014	SIZE A2	CAGE CODE -	DRAWING NO G-2213240	RESTRICTED TO -
MATERIAL NOTE 1		APPLICATION SPEC 114-32111	WEIGHT -	SCALE 2:1	SHEET 2 OF 2	REV B
		CUSTOMER DRAWING				