



Chipsmall Limited consists of a professional team with an average of over 10 year of expertise in the distribution of electronic components. Based in Hongkong, we have already established firm and mutual-benefit business relationships with customers from,Europe,America and south Asia,supplying obsolete and hard-to-find components to meet their specific needs.

With the principle of “Quality Parts,Customers Priority,Honest Operation,and Considerate Service”,our business mainly focus on the distribution of electronic components. Line cards we deal with include Microchip,ALPS,ROHM,Xilinx,Pulse,ON,Everlight and Freescale. Main products comprise IC,Modules,Potentiometer,IC Socket,Relay,Connector.Our parts cover such applications as commercial,industrial, and automotives areas.

We are looking forward to setting up business relationship with you and hope to provide you with the best service and solution. Let us make a better world for our industry!



Contact us

Tel: +86-755-8981 8866 Fax: +86-755-8427 6832

Email & Skype: info@chipsmall.com Web: www.chipsmall.com

Address: A1208, Overseas Decoration Building, #122 Zhenhua RD., Futian, Shenzhen, China



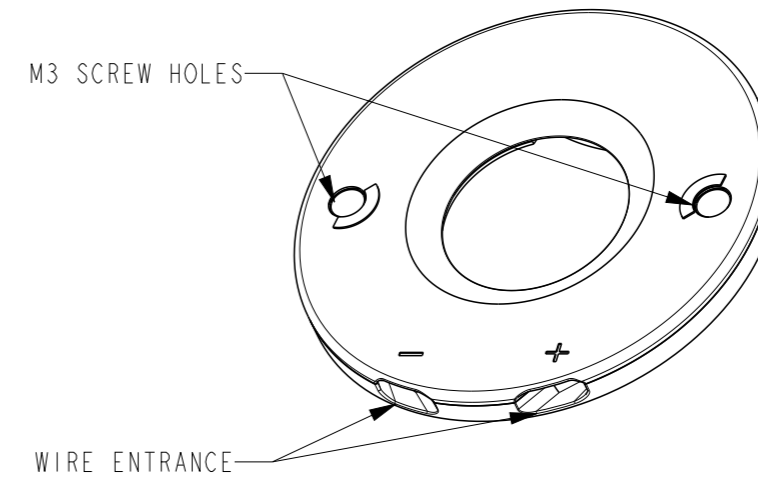
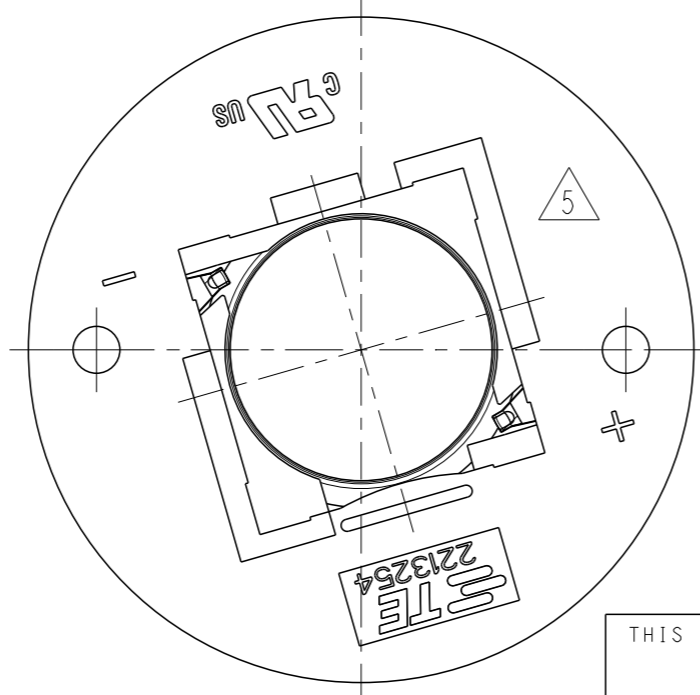
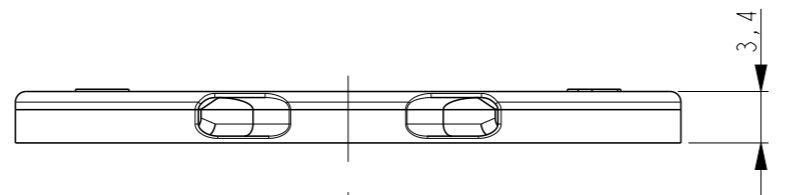
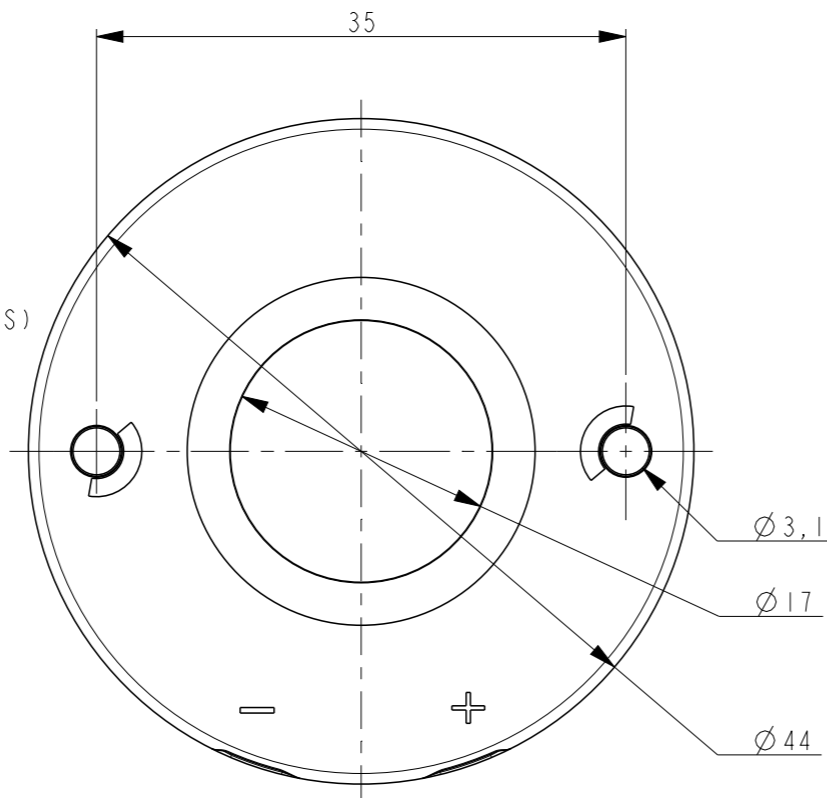
THIS DRAWING IS UNPUBLISHED. RELEASED FOR PUBLICATION

© COPYRIGHT - BY TYCO ELECTRONICS CORPORATION. ALL RIGHTS RESERVED.

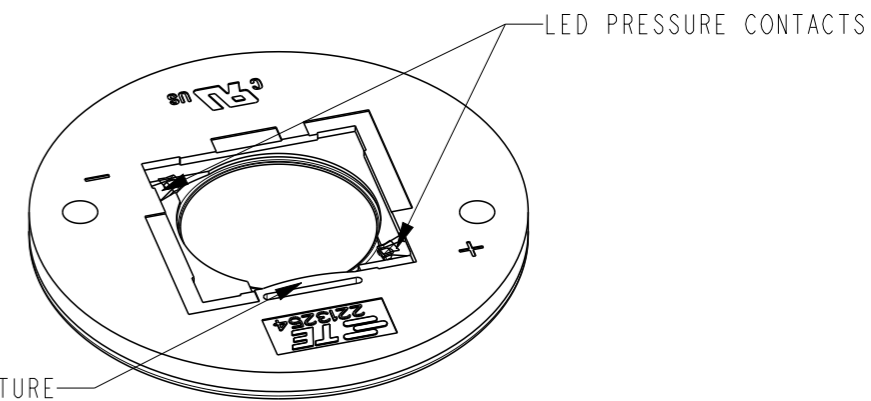
LOC	DIST	REVISIONS					
		P	LTR	DESCRIPTION	DATE	DWN	APVD
H	-		A1	REVISED PER ECR-14-000133	06JAN2014	AB	OL
			A2	ECR-16-001206	27JAN2016	KR	MvE
			A3	ADDED RELEASED LED	06FEB2017	RK	MvE
			B	MATERIAL CHANGE UPDATED	28FEB2017	RK	MvE

NOTES:

- MATERIALS:
HOUSING: GLASS FILLED PBT, HALOGEN FREE
FLAME RETARDENT
COLOR : NATURAL/WHITE
CONTACTS: SILVER PLATED COPPER ALLOY
 - FOR SOLID AND STRANDED WIRE AWG 22-18
 - COMPLIES WITH DIRECTIVE 2002/95/EC (ROHS)
 - M3 SCREW TO BE USED FOR MOUNTING
- DATE CODE YY-WW-D ANY WHERE EXCEPT OVER LOGO OR +/- SIGN.



SCALE 3:2



2213254-1 AS SHOWN

LUMAWISE LED HOLDER Z50 LOW PROFILE

2213254-2	LUMAWISE LED HOLDER Z50 STANDARD PROFILE 1919
2213254-1	LUMAWISE LED HOLDER Z50 LOW PROFILE 1919
PART NUMBER	DESCRIPTION

THIS DRAWING IS A CONTROLLED DOCUMENT.

DIMENSIONS:	TOLERANCES UNLESS OTHERWISE SPECIFIED:
mm	0 PLC ±-
	1 PLC ±-
	2 PLC ±-
	3 PLC ±-
	4 PLC ±-
	ANGLES ±-
MATERIAL	FINISH
-	-

DWN	M.V.ESSSEN	6-AUG-13
CHK	M.V.ESSSEN	6-AUG-13
APVD	O.I.FIJNSE	6-AUG-13
PRODUCT SPEC	108-133008	
APPLICATION SPEC	114-32048	
WEIGHT	-	

TE Connectivity		NAME		RESTRICTED TO
		LUMAWISE LED HOLDER Z50 1919		
SIZE	CAGE CODE	DRAWING NO		
A3	00779	C-2213254		

CUSTOMER DRAWING	SCALE 2:1	SHEET 1 OF 3	REV B
------------------	-----------	--------------	-------

THIS DRAWING IS UNPUBLISHED.

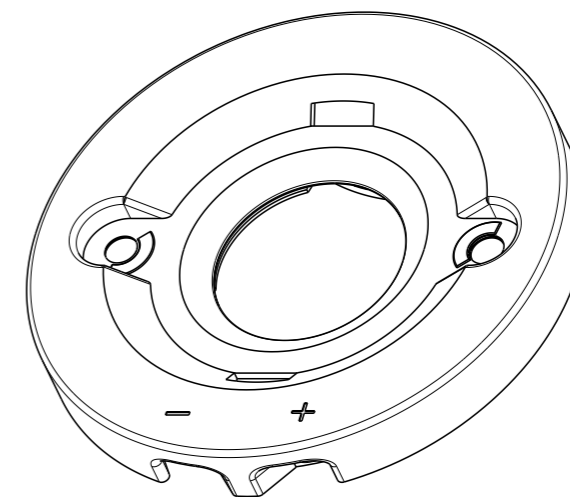
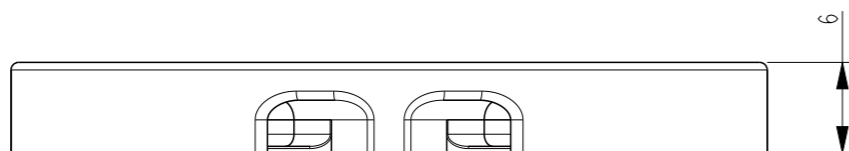
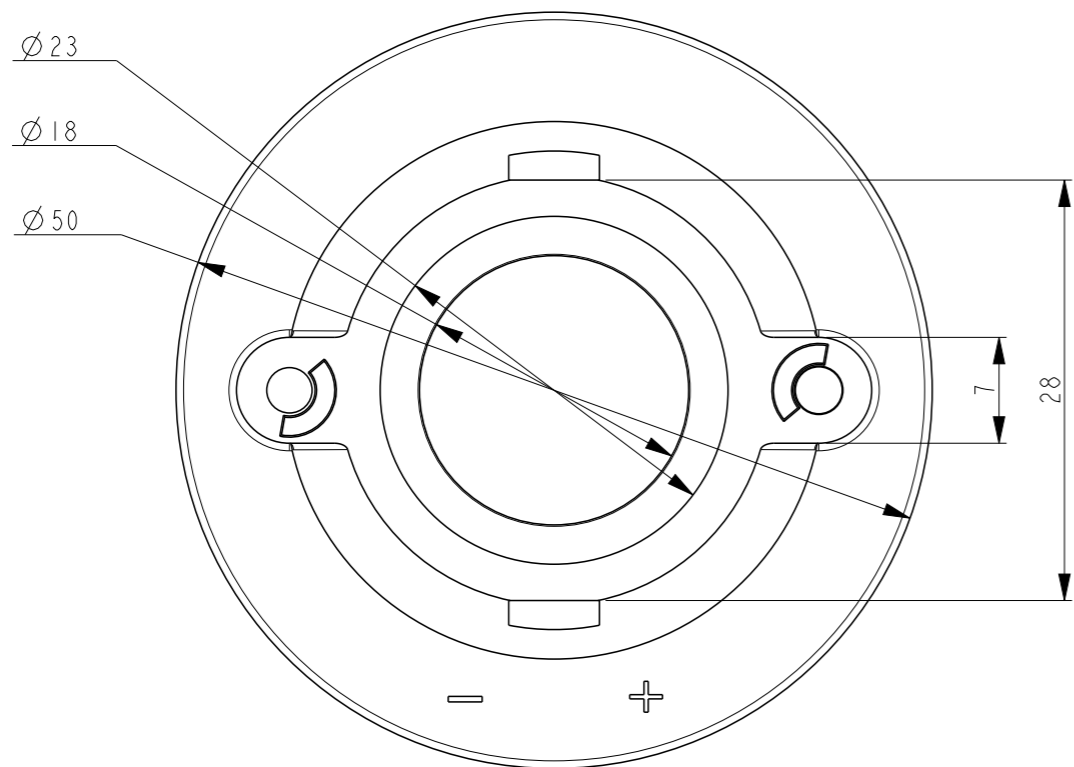
RELEASED FOR PUBLICATION

© COPYRIGHT - BY TYCO ELECTRONICS CORPORATION. ALL RIGHTS RESERVED.

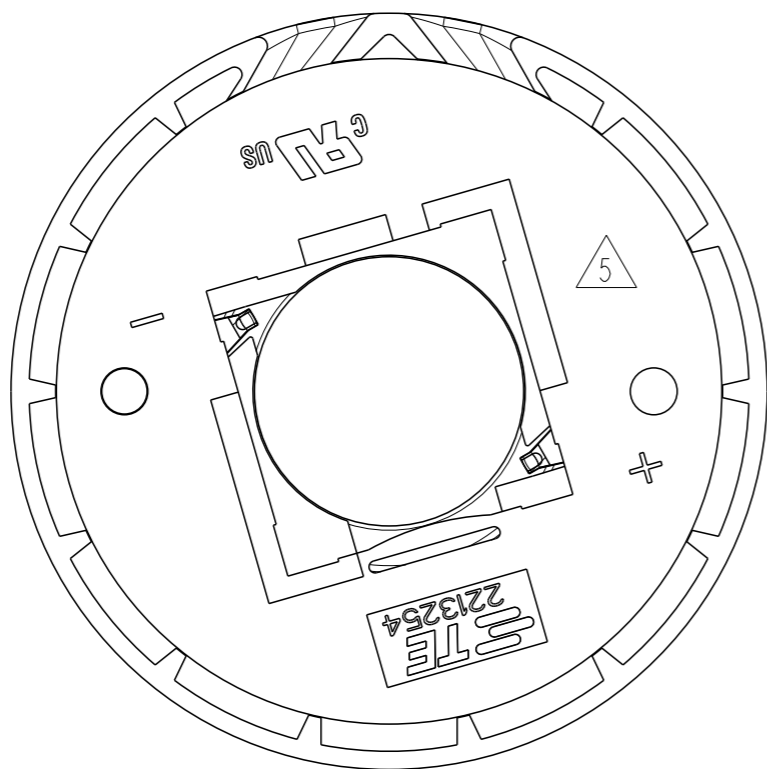
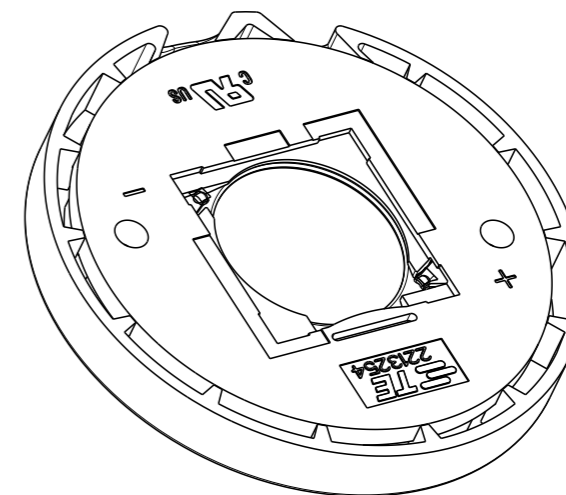
LOC DIST

REVISIONS

P	LTR	DESCRIPTION	DATE	DWN	APVD
	-	SEE SHEET 1	-	-	-



SCALE 3:2



2213254-2 AS SHOWN

LUMAWISE LED HOLDER Z50 STANDARD PROFILE

THIS DRAWING IS A CONTROLLED DOCUMENT.

DIMENSIONS:	TOLERANCES UNLESS OTHERWISE SPECIFIED:
mm	
	0 PLC ±-
	1 PLC ±-
	2 PLC ±-
	3 PLC ±-
	4 PLC ±-
	ANGLES ±-
MATERIAL	FINISH
-	-
-	-

DWN	M.V.ESSSEN	6-AUG-13
CHK	M.V.ESSSEN	6-AUG-13
APVD	O.I.FLJNSE	6-AUG-13
PRODUCT SPEC	108-133008	
APPLICATION SPEC	114-32048	
WEIGHT	-	
CUSTOMER DRAWING		

		TE Connectivity	
		NAME	
LUMAWISE LED HOLDER Z50		1919	
SIZE	CAGE CODE	DRAWING NO	RESTRICTED TO
A3	00779	C-2213254	-
SCALE 2:1		SHEET 2 OF 3	REV B

4

3

2

1

THIS DRAWING IS UNPUBLISHED.

RELEASED FOR PUBLICATION

© COPYRIGHT - BY TYCO ELECTRONICS CORPORATION. ALL RIGHTS RESERVED.

LOC	DIST	REVISIONS					
		P	LTR	DESCRIPTION	DATE	DWN	APVD
		-		SEE SHEET 1	-	-	-

RELEASED LEDs

NAME	TYPE	DATA SHEET	REVISION	TE PART NUMBERS
CITIZEN	CLL 030			2213254-1/-2
CITIZEN	CITIZEN CLL 030			2213254-1/-2
CITIZEN	CLL036-1205C1			2213254-1/-2
CITIZEN	CLL036-1206C1			2213254-1/-2
CITIZEN	CLL036-1208C1, REF.CE-P3080 04/15			2213254-1/-2
CITIZEN	CLU034			2213254-1/-2
CITIZEN	CLU036			2213254-1/-2
CITIZEN	CLU720			2213254-1/-2
CITIZEN	CLL032		CLL032-1212A5-403MIA2	2213254-1/-2
LEXTAR	LEXTAR NIMBUS 1500		E14.07.010	2213254-1/-2
SEOUL	SEOUL SBW2F1B			2213254-1/-2
SEOUL	SEOUL SBW3F1A			2213254-1/-2
SEOUL	SDW02F1C (ZC12)			2213254-1/-2
SEOUL	SDWX3F1C			2213254-1/-2
OSRAM	OSRAM S13 2 ND GEN.			2213254-1/-2
TRIDONIC	SLE-G5-LES15			2213254-1/-2
SEOUL SEMI	SDW02F1C (ZC12)		REV6.0, DEC 2, 2015	2213254-1/-2
PANASONIC	C14 1919		20150730	2213254-1/-2
BRIDGELUX	H15		DS83 REV. A (2/2016)	2213254-1/-2
BRIDGELUX	VI3D GEN 7 ARRAY		DS101 REV. C (07/2016)	2213254-1/-2
TRIDONIC	SLE-G6-LES15		JUNE 22ND 2016	2213254-1/-2
TRIDONIC	SLE-G6-LES17		JUNE 22ND 2016	2213254-1/-2
TRIDONIC	G6 LES 15 SNC/ADV		42614	2213254-1/-2
TRIDONIC	G6 LES 17 SNC/ADV/EXC		42614	2213254-1/-2
EDISON OPTO	2PHM30XWXXPI3001		29-JUL 2014, VERSION 3	2213254-1/-2
EVERLIGHT	EAHP1919/XUANI919			2213254-1/-2
LUMINUS	CHM-9-XH00		NOT FOUND	2213254-1/-2
LUMINUS	CXM-11-AC00		PDS-002279 REV 05	2213254-1/-2
LUMINUS	CHM-11-XH00		PDS-002624 REV 03	2213254-1/-2
LUMINUS	CLM-14 GEN 3		PDS-002819 REV 02	2213254-1/-2
LUMINUS	CXM-14 GEN 3		PDS-002820 REV 02	2213254-1/-2

THE SKETCH BELOW IS SHOWING THE NOMINAL LED COB DIMENSIONS TO MATCH WITH THE Z50 LED HOLDER 1919

FOR TECHNICAL DETAILS ABOUT A PROPER MATCH WITH A SPECIFIC LED COB ARRAY PLEASE CONTACT A REPRESENTATIVE AT TE-CONNECTIVITY

THIS DRAWING IS A CONTROLLED DOCUMENT.

DIMENSIONS:

mm

TOLERANCES UNLESS OTHERWISE SPECIFIED:

0 PLC	±-
1 PLC	±-
2 PLC	±-
3 PLC	±-
4 PLC	±-
ANGLES	±-

MATERIAL

FINISH

-

-

DWN 6-AUG-13

M.V.ESSEN

CHK 6-AUG-13

M.V.ESSEN

APVD 6-AUG-13

O.I.F.IJNSE

PRODUCT SPEC

108-133008

APPLICATION SPEC

114-32048

WEIGHT

-

CUSTOMER DRAWING

TE Connectivity

NAME LUMAWISE LED HOLDER Z50
1919

SIZE

CAGE CODE

DRAWING NO

RESTRICTED TO

A3

00779

C=2213254

-

SCALE 2:1

SHEET 3 OF 3

REV B

1470-19 (3/11)