



Chipsmall Limited consists of a professional team with an average of over 10 year of expertise in the distribution of electronic components. Based in Hongkong, we have already established firm and mutual-benefit business relationships with customers from,Europe,America and south Asia,supplying obsolete and hard-to-find components to meet their specific needs.

With the principle of “Quality Parts,Customers Priority,Honest Operation,and Considerate Service”,our business mainly focus on the distribution of electronic components. Line cards we deal with include Microchip,ALPS,ROHM,Xilinx,Pulse,ON,Everlight and Freescale. Main products comprise IC,Modules,Potentiometer,IC Socket,Relay,Connector.Our parts cover such applications as commercial,industrial, and automotives areas.

We are looking forward to setting up business relationship with you and hope to provide you with the best service and solution. Let us make a better world for our industry!



Contact us

Tel: +86-755-8981 8866 Fax: +86-755-8427 6832

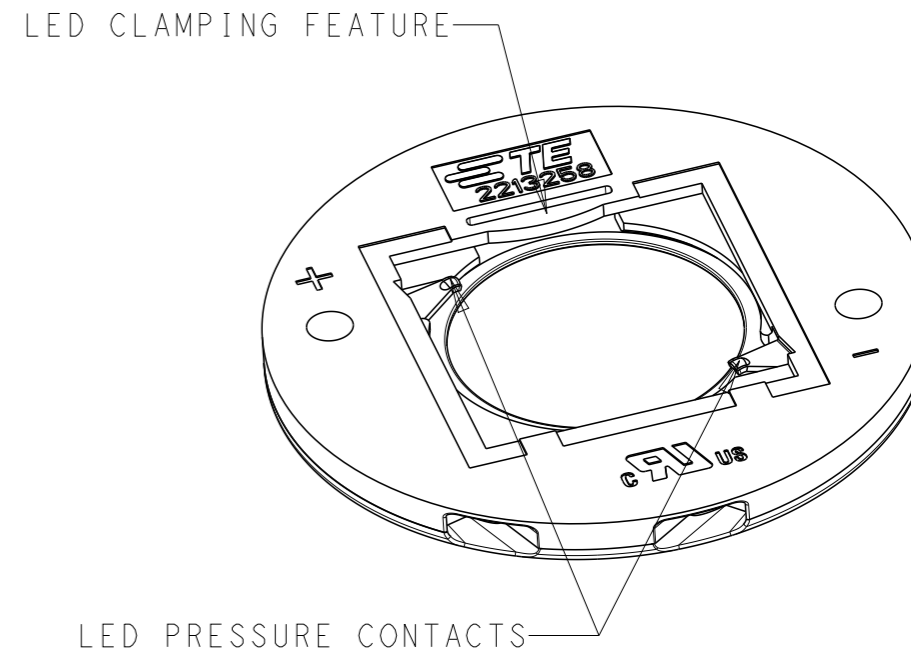
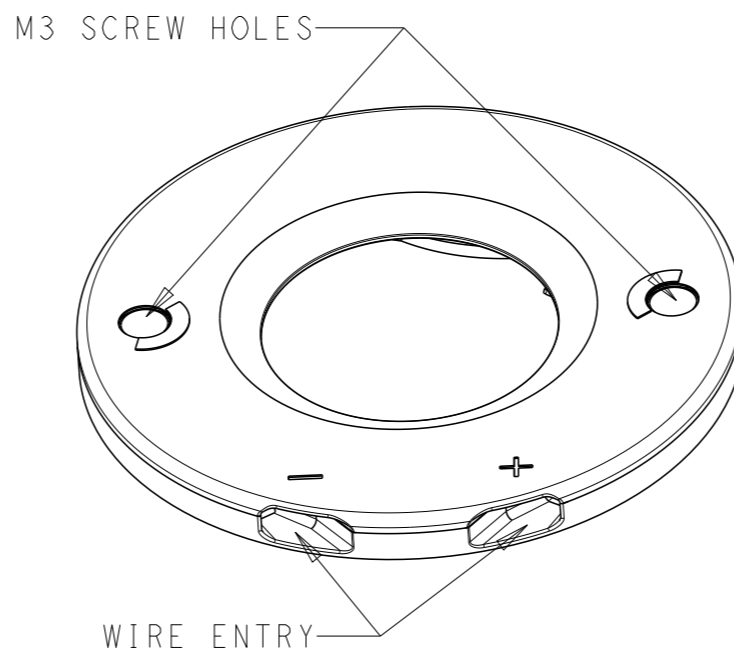
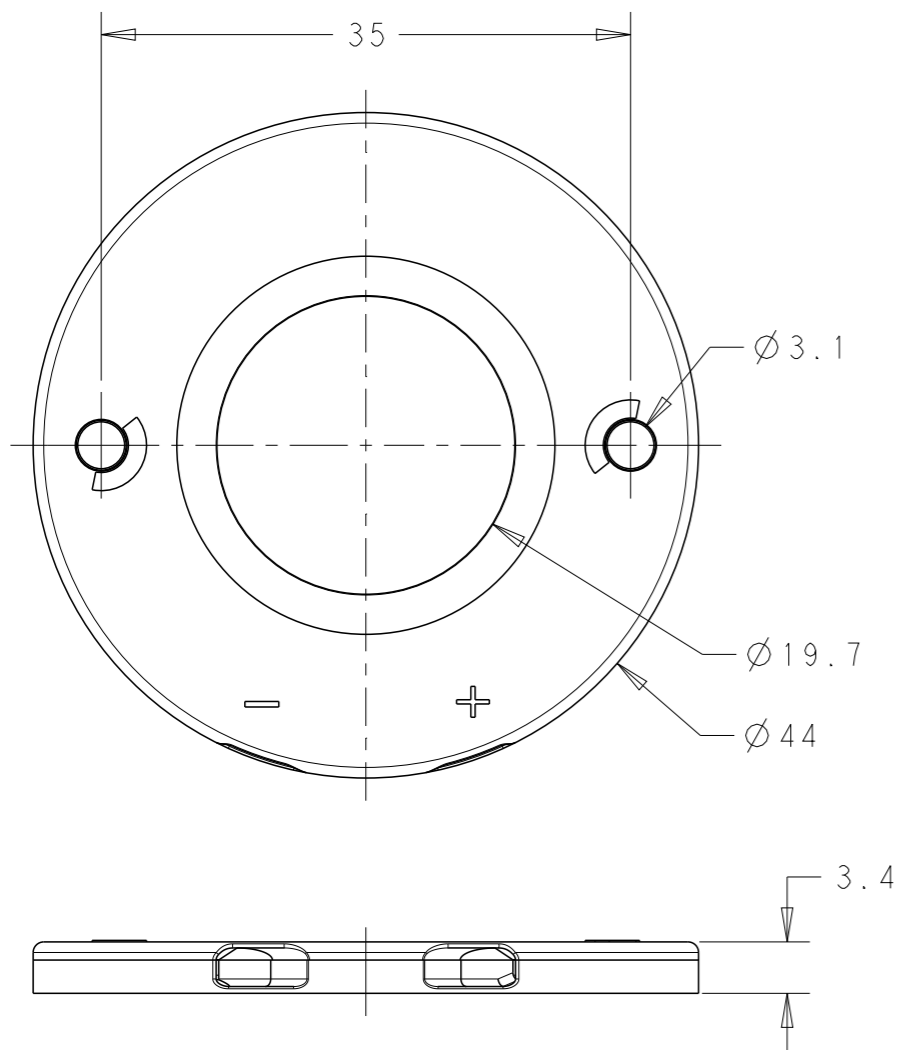
Email & Skype: info@chipsmall.com Web: www.chipsmall.com

Address: A1208, Overseas Decoration Building, #122 Zhenhua RD., Futian, Shenzhen, China



REVISIONS

P	LTR	DESCRIPTION	DATE	DWN	APVD
	A	RELEASED PER ECR-13-012557	07AUG2013	MVE	OL
	A1	ECR-16-001206	27JAN2016	KR	MvE
	A2	ECR-16-005694	19APR2016	KR	MvE
	B	ADDED RELEASED LED	06FEB2017	KR	MvE



NOTES.

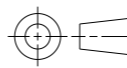
1. MATERIALS:
HOUSING: GLASS FILLED PBT,
COLOR: NATURAL/WHITE
CONTACTS: SILVER PLATED COPPER ALLOY
2. FOR SOLID AND STANDARD WIRE AWG 22-18
3. COMPLIES WITH DIRECTIVE 2002/95/EC (ROHS)
4. M3 SCREW TO BE USED FOR MOUNTING

△ 5 DATE CODE YY-WW-D ANY WHERE EXCEPT OVER LOGO OR +/- SIGN.


2213258-1 AS SHOWN

Z50 LED HOLDER LOW PROFILE

PART NO	DESCRIPTION
2213258-2	Z50 LED HOLDER STANDARD PROFILE 2121
2213258-1	Z50 LED HOLDER LOW PROFILE 2121

THIS DRAWING IS A CONTROLLED DOCUMENT.	
DIMENSIONS: mm	TOLERANCES UNLESS OTHERWISE SPECIFIED:
	0 PLC ±-
	1 PLC ±-
	2 PLC ±-
	3 PLC ±-
	4 PLC ±-
	ANGLES ±-
MATERIAL	FINISH
-	-
-	-

DWN	07AUG2013
M.V.ESSSEN	
CHK	07AUG2013
M.V.ESSSEN	
APVD	07AUG2013
O.I.FIJNSE	
PRODUCT SPEC	108-133008
APPLICATION SPEC	114-32048
WEIGHT	-
CUSTOMER DRAWING	

 TE Connectivity		NAME		RESTRICTED TO
		LUMAWISE Z50 LED HOLDER ASSY 2121		
SIZE	CAGE CODE	DRAWING NO		
A3	00779	C-2213258		
SCALE		SHEET	OF	REV
2:1		1	3	B

THIS DRAWING IS UNPUBLISHED.

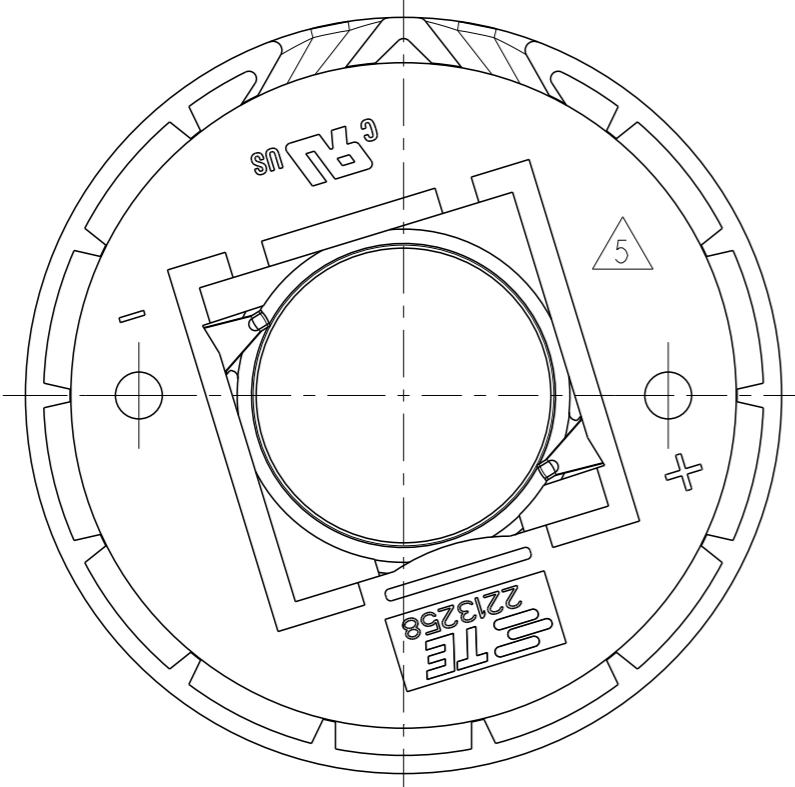
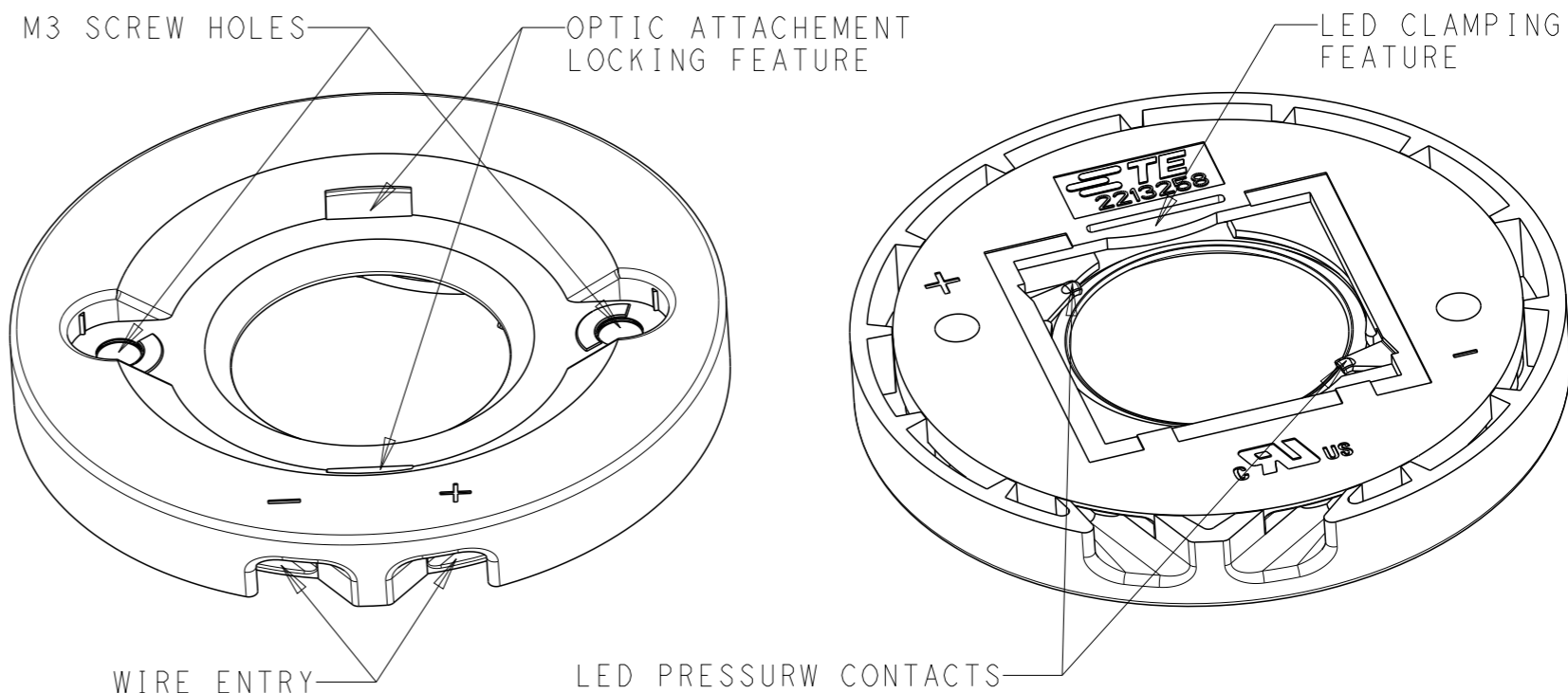
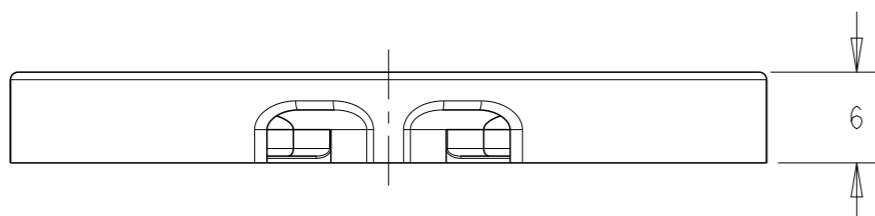
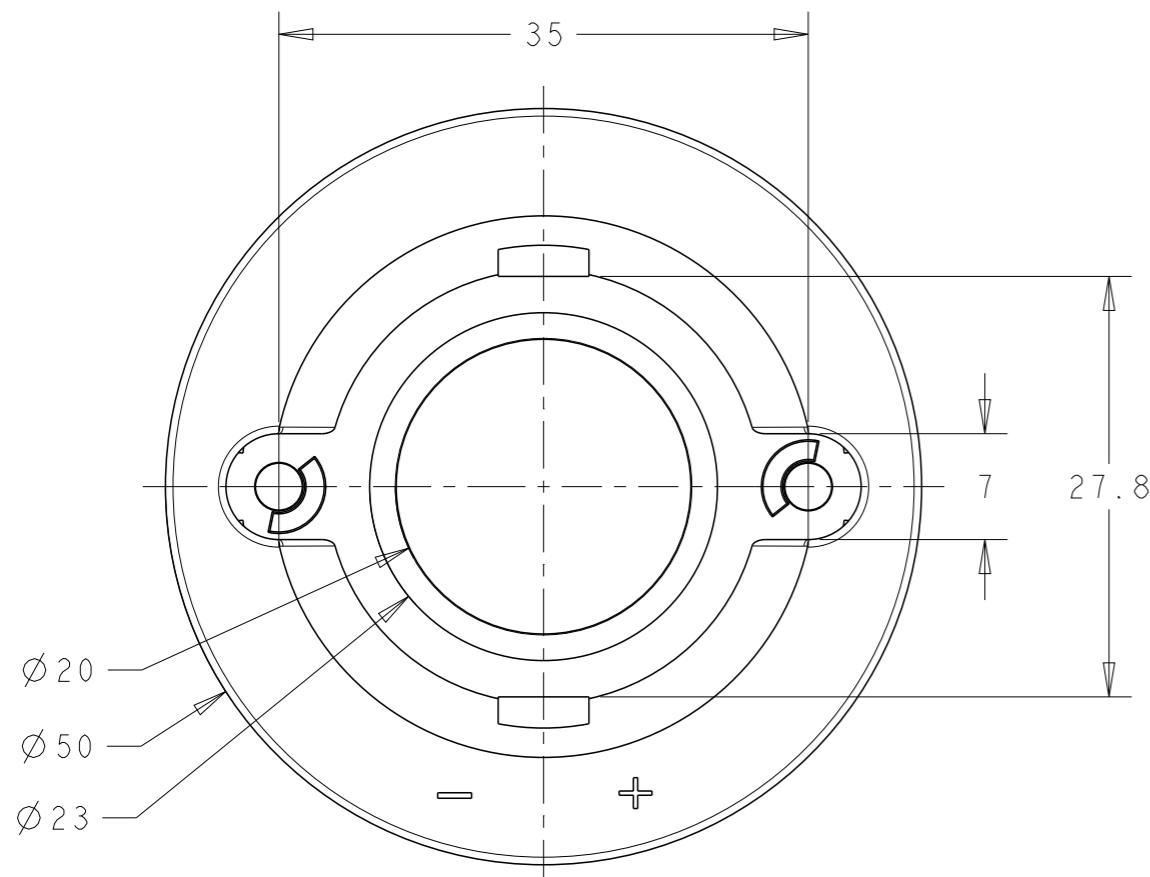
RELEASED FOR PUBLICATION

20

© COPYRIGHT 20 BY - ALL RIGHTS RESERVED.


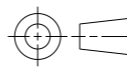
REVISIONS

P	LTR	DESCRIPTION	DATE	DWN	APVD
-	-	SEE SHEET 1	-	-	-



2213258-2 AS SHOWN

Z50 LED HOLDER STANDARD PROFILE

THIS DRAWING IS A CONTROLLED DOCUMENT.		DWN M.V.ESSSEN 07AUG2013	 TE Connectivity					
DIMENSIONS: mm		CHK M.V.ESSSEN 07AUG2013			NAME LUMAWISE Z50 LED HOLDER ASSY 2121			
		APVD O.IEIJNSE 07AUG2013						
TOLERANCES UNLESS OTHERWISE SPECIFIED:		PRODUCT SPEC 108-133008	SIZE A3	CAGE CODE 00779	DRAWING NO C-2213258	RESTRICTED TO -		
MATERIAL -		FINISH -	APPLICATION SPEC 114-32048		WEIGHT -	SCALE 2:1	SHEET 2 OF 3	REV B
-		0 PLC ±- 1 PLC ±- 2 PLC ±- 3 PLC ±- 4 PLC ±- ANGLES ±-	CUSTOMER DRAWING		SCALE 2:1 SHEET 2 OF 3 REV B			

4

3

2

1

THIS DRAWING IS UNPUBLISHED.

RELEASED FOR PUBLICATION

20

© COPYRIGHT 20

BY -

ALL RIGHTS RESERVED.

REVISIONS

P	LTR	DESCRIPTION	DATE	DWN	APVD
	-	SEE SHEET 1	-	-	-

THE SKETCH BELOW IS SHOWING THE NOMINAL LED COB DIMENSION TO MATCH WITH THE Z50 LED HOLDER 2121

FOR TECHNICAL DETAILS ABOUT A PROPER MATCH WITH A SPECIFIC LED COB ARRAY PLEASE CONTACT A REPRESENTATIVE AT TE-CONNECTIVITY

21.5

7.5

CONTACT POINT LOCATION

7.7

21.5

LES

1.0

0.9

RELEASED LEDs

NAME	TYPE	DATA SHEET	REVISION	TE PART NUMBER
SAMSUNG	LC026B			2213258-1/2
SAMSUNG	LC040B			2213258-1/2
SAMSUNG	LC033B			2213258-1/2

THIS DRAWING IS A CONTROLLED DOCUMENT.

DIMENSIONS:
mm

TOLERANCES UNLESS OTHERWISE SPECIFIED:

0 PLC	±-
1 PLC	±-
2 PLC	±-
3 PLC	±-
4 PLC	±-
ANGLES	±-

MATERIAL

-

FINISH

-

DWN 07AUG2013

M.V.ESSEN

CHK 07AUG2013

M.V.ESSEN

APVD 07AUG2013

O.I.FIJNSE

PRODUCT SPEC

108-133008

APPLICATION SPEC

114-32048

WEIGHT

-

CUSTOMER DRAWING

TE Connectivity

NAME
LUMAWISE
Z50 LED HOLDER ASSY 2121

SIZE	CAGE CODE	DRAWING NO	RESTRICTED TO
A3	00779	C-2213258	-

WEIGHT

-

CUSTOMER DRAWING

SCALE 4:1

SHEET 3 OF 3

REV B

1470-19 (3/13)