



Chipsmall Limited consists of a professional team with an average of over 10 year of expertise in the distribution of electronic components. Based in Hongkong, we have already established firm and mutual-benefit business relationships with customers from,Europe,America and south Asia,supplying obsolete and hard-to-find components to meet their specific needs.

With the principle of “Quality Parts,Customers Priority,Honest Operation,and Considerate Service”,our business mainly focus on the distribution of electronic components. Line cards we deal with include Microchip,ALPS,ROHM,Xilinx,Pulse,ON,Everlight and Freescale. Main products comprise IC,Modules,Potentiometer,IC Socket,Relay,Connector.Our parts cover such applications as commercial,industrial, and automotives areas.

We are looking forward to setting up business relationship with you and hope to provide you with the best service and solution. Let us make a better world for our industry!



Contact us

Tel: +86-755-8981 8866 Fax: +86-755-8427 6832

Email & Skype: info@chipsmall.com Web: www.chipsmall.com

Address: A1208, Overseas Decoration Building, #122 Zhenhua RD., Futian, Shenzhen, China

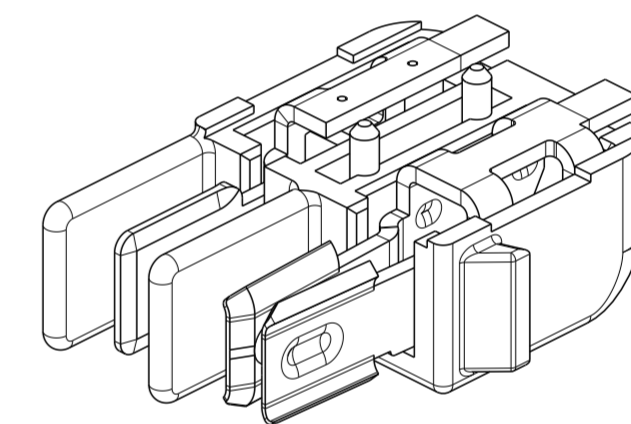
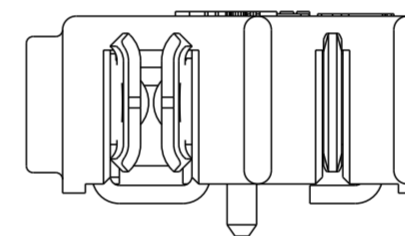
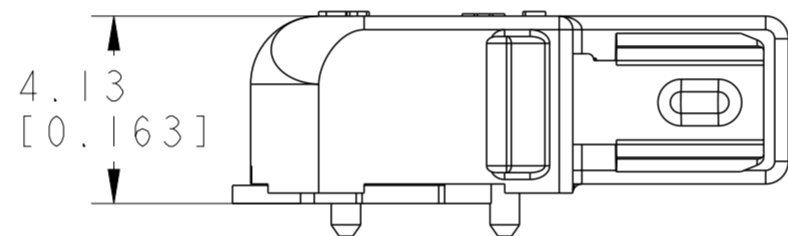
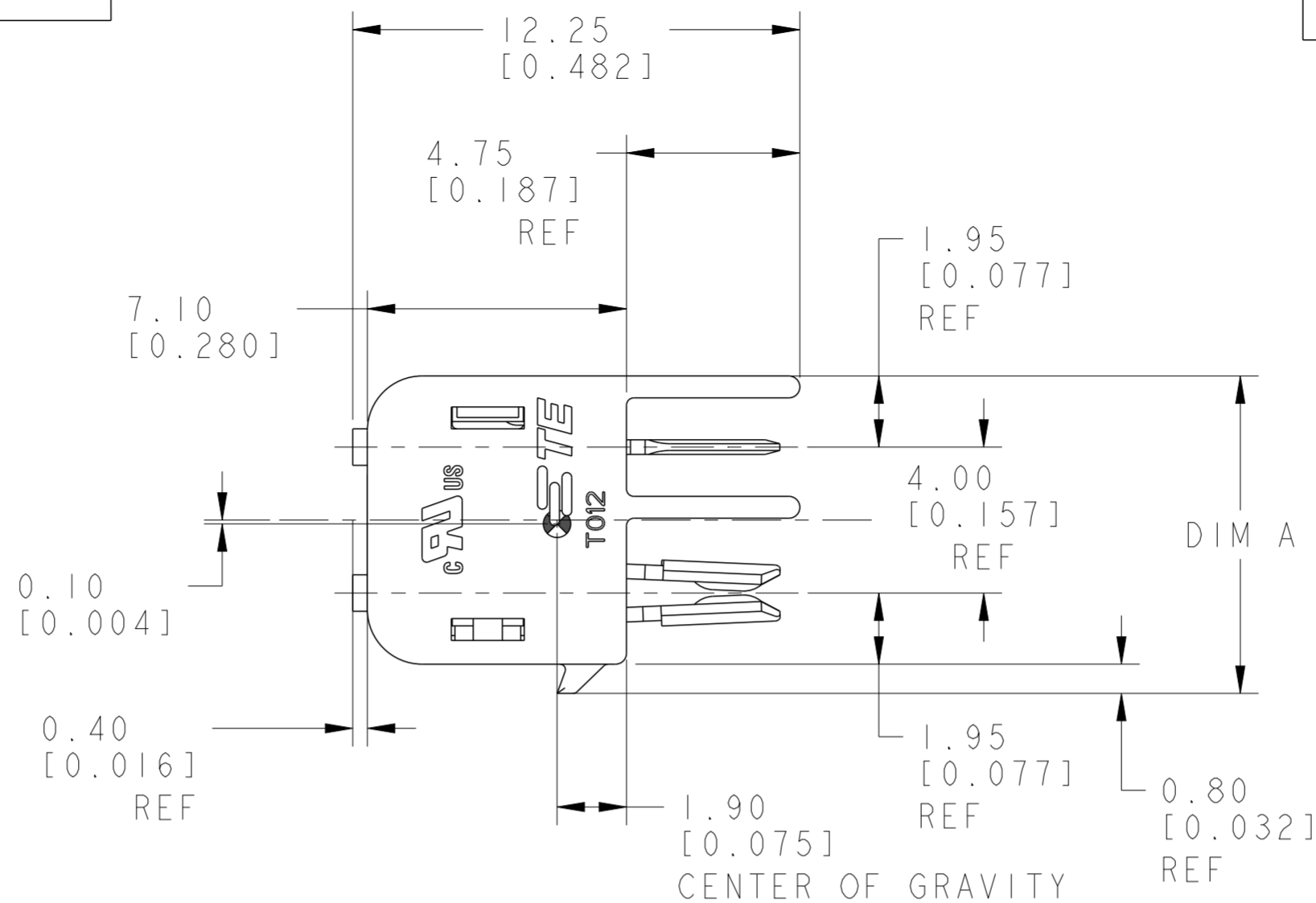


THIS DRAWING IS UNPUBLISHED. RELEASED FOR PUBLICATION 20
 © COPYRIGHT 20 BY - ALL RIGHTS RESERVED.

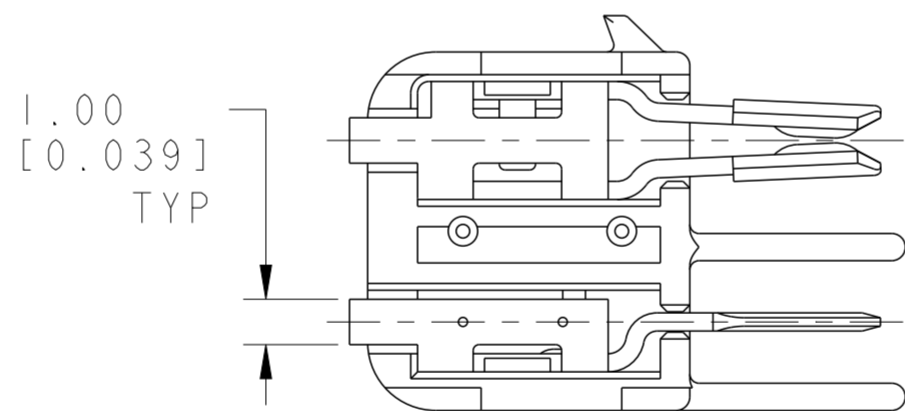
REVISIONS							
LOC	DIST	P	LTR	DESCRIPTION	DATE	DWN	APVD
-	-		A	REVISED PER ECR-14-006023	25APR2014	RS	DD

NOTES:

- 1. MATERIALS AND FINISH
 - HOUSING: LCP
 - CONTACTS: COPPER ALLOY, FINISH: GOLD
- 2. PRODUCT TO COMPLY WITH DIRECTIVE 2002/95/EC (ROHS)
- 3. PACKAGED IN TAPE AND REEL PER EIA-481 SPECIFICATIONS



2213289-1/
1-2213289-1
SHOWN

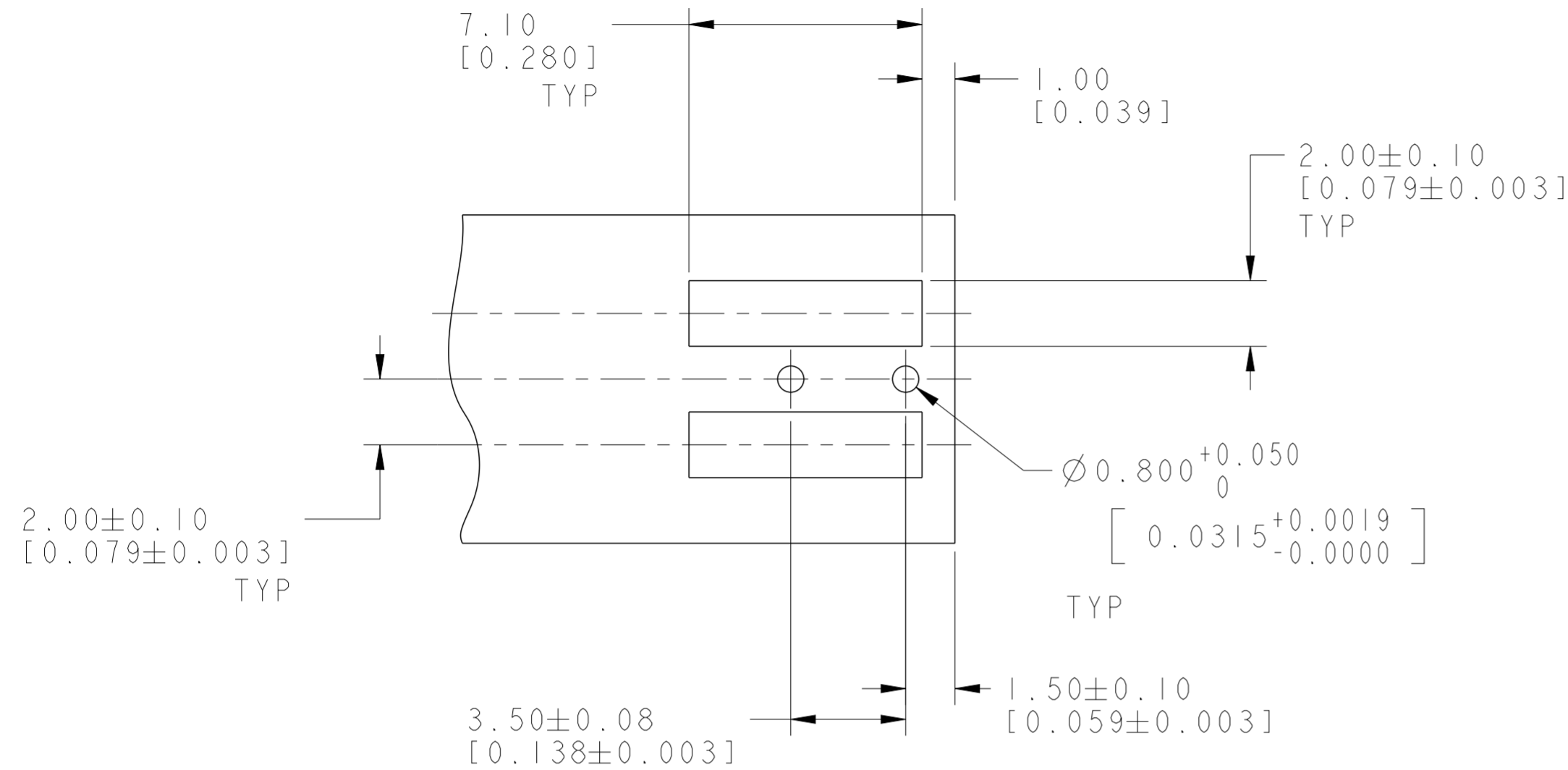


6	BLACK	24.70	1-2213289-3
4	BLACK	16.70	1-2213289-2
2	BLACK	8.70	1-2213289-1
6	NATURAL	24.70	2213289-3
4	NATURAL	16.70	2213289-2
2	NATURAL	8.70	2213289-1
POSITION	COLOR	DIM A	PART NO.

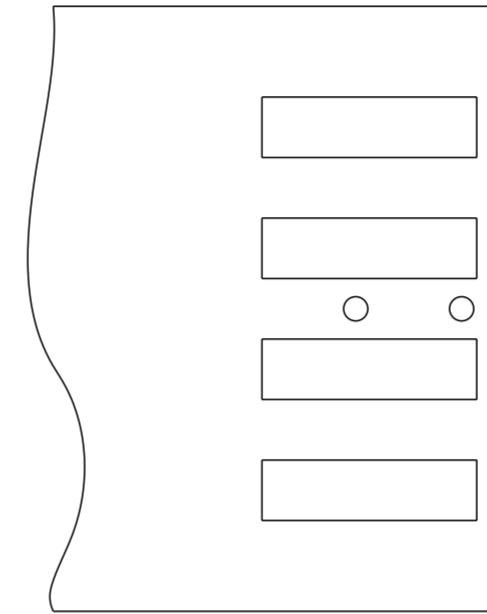
THIS DRAWING IS A CONTROLLED DOCUMENT.		DWN RAVLS 10APR2013	TE Connectivity															
DIMENSIONS: mm		CHK D. DECKER 10APR2013																
TOLERANCES UNLESS OTHERWISE SPECIFIED:		APVD D. DECKER 10APR2013	NAME CONNECTOR ASSEMBLY, HERMAPHRODITIC BLADE AND RECEPTACLE, WITH LATCH AND BOSS															
<table border="0"> <tr> <td>0 PLC</td><td>±</td></tr> <tr> <td>1 PLC</td><td>±</td></tr> <tr> <td>2 PLC</td><td>±0.13</td></tr> <tr> <td>3 PLC</td><td>±0.013</td></tr> <tr> <td>4 PLC</td><td>±</td></tr> <tr> <td>ANGLES</td><td>±1°</td></tr> <tr> <td>FINISH</td><td></td></tr> </table>		0 PLC	±	1 PLC	±	2 PLC	±0.13	3 PLC	±0.013	4 PLC	±	ANGLES	±1°	FINISH		PRODUCT SPEC 108-2342	SIZE A200779	CAGE CODE C-2213289
0 PLC	±																	
1 PLC	±																	
2 PLC	±0.13																	
3 PLC	±0.013																	
4 PLC	±																	
ANGLES	±1°																	
FINISH																		
MATERIAL		APPLICATION SPEC 114-13225	DRAWING NO	RESTRICTED TO														
		WEIGHT -	SCALE 6:1	SHEET 1 OF 2														
		Customer Drawing	REV A															

THIS DRAWING IS UNPUBLISHED. RELEASED FOR PUBLICATION 20
 © COPYRIGHT 20 BY - ALL RIGHTS RESERVED.

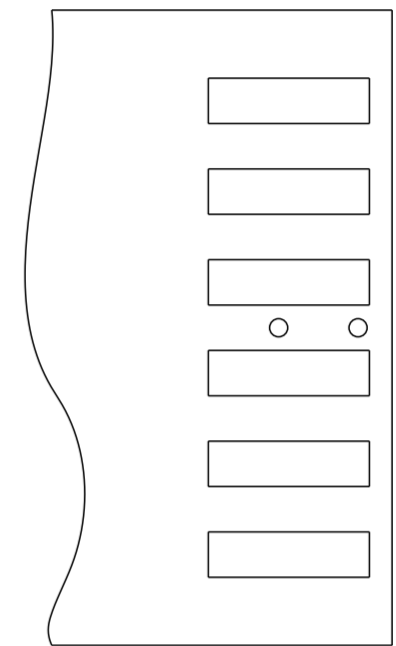
LOC		DIST		REVISIONS			
P	LTR	DESCRIPTION	DATE	DWN	APVD		
-	-	SEE SHEET 1	-	-	-		



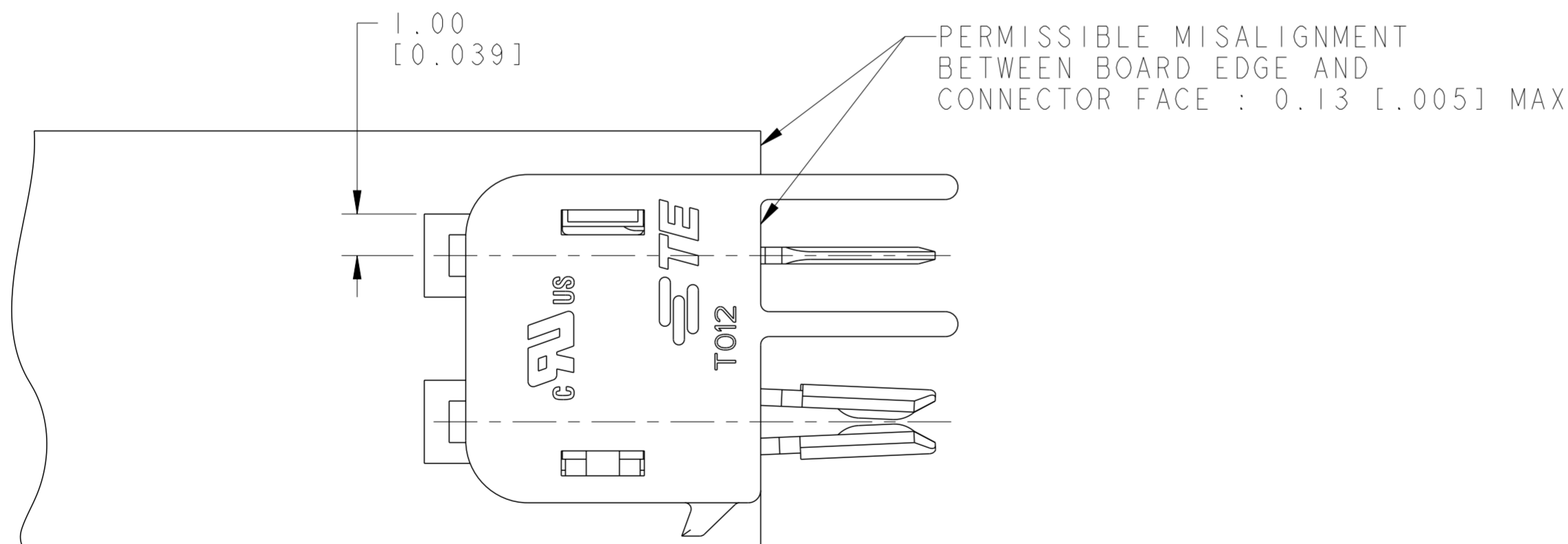
RECOMMENDED PCB LAYOUT FOR 2213289-1 & 1-2213289-1



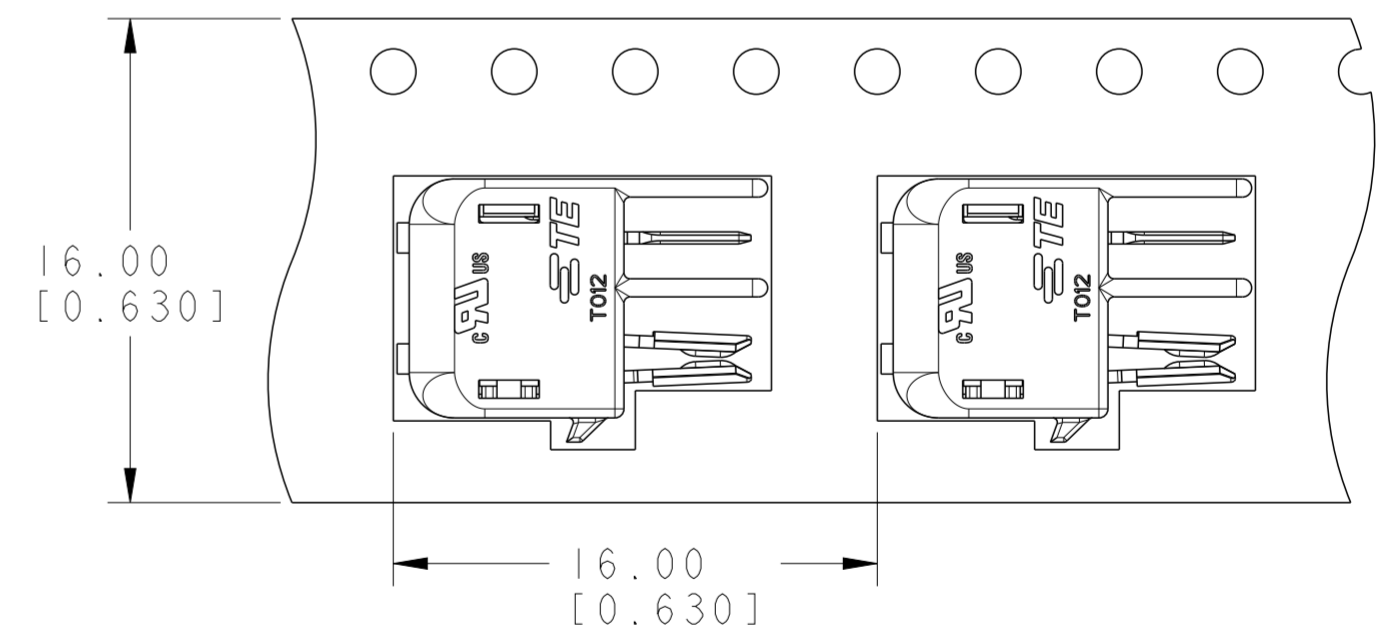
RECOMMENDED PCB LAYOUT FOR 2213289-2 & 1-2213289-2



RECOMMENDED PCB LAYOUT FOR 2213289-3 & 1-2213289-3



SCALE 8:1



TO BE PACKAGED AS SHOWN SCALE 4:1

THIS DRAWING IS A CONTROLLED DOCUMENT.		DWN RAVLS 10APR2013	TE Connectivity	
DIMENSIONS: mm		CHK D. DECKER 10APR2013		
TOLERANCES UNLESS OTHERWISE SPECIFIED:		APVD D. DECKER 10APR2013	NAME CONNECTOR ASSEMBLY, HERMAPHRODITIC BLADE AND RECEPTACLE, WITH LATCH AND BOSS	
		PRODUCT SPEC 108-2342	SIZE A200779	
MATERIAL		APPLICATION SPEC 114-13225	DRAWING NO C-2213289	
		WEIGHT -	RESTRICTED TO -	
		Customer Drawing	SCALE 6:1	SHEET 2 OF 2
			REV A	