

Chipsmall Limited consists of a professional team with an average of over 10 year of expertise in the distribution of electronic components. Based in Hongkong, we have already established firm and mutual-benefit business relationships with customers from,Europe,America and south Asia,supplying obsolete and hard-to-find components to meet their specific needs.

With the principle of “Quality Parts,Customers Priority,Honest Operation,and Considerate Service”,our business mainly focus on the distribution of electronic components. Line cards we deal with include Microchip,ALPS,ROHM,Xilinx,Pulse,ON,Everlight and Freescale. Main products comprise IC,Modules,Potentiometer,IC Socket,Relay,Connector.Our parts cover such applications as commercial,industrial, and automotives areas.

We are looking forward to setting up business relationship with you and hope to provide you with the best service and solution. Let us make a better world for our industry!



Contact us

Tel: +86-755-8981 8866 Fax: +86-755-8427 6832

Email & Skype: info@chipsmall.com Web: www.chipsmall.com

Address: A1208, Overseas Decoration Building, #122 Zhenhua RD., Futian, Shenzhen, China

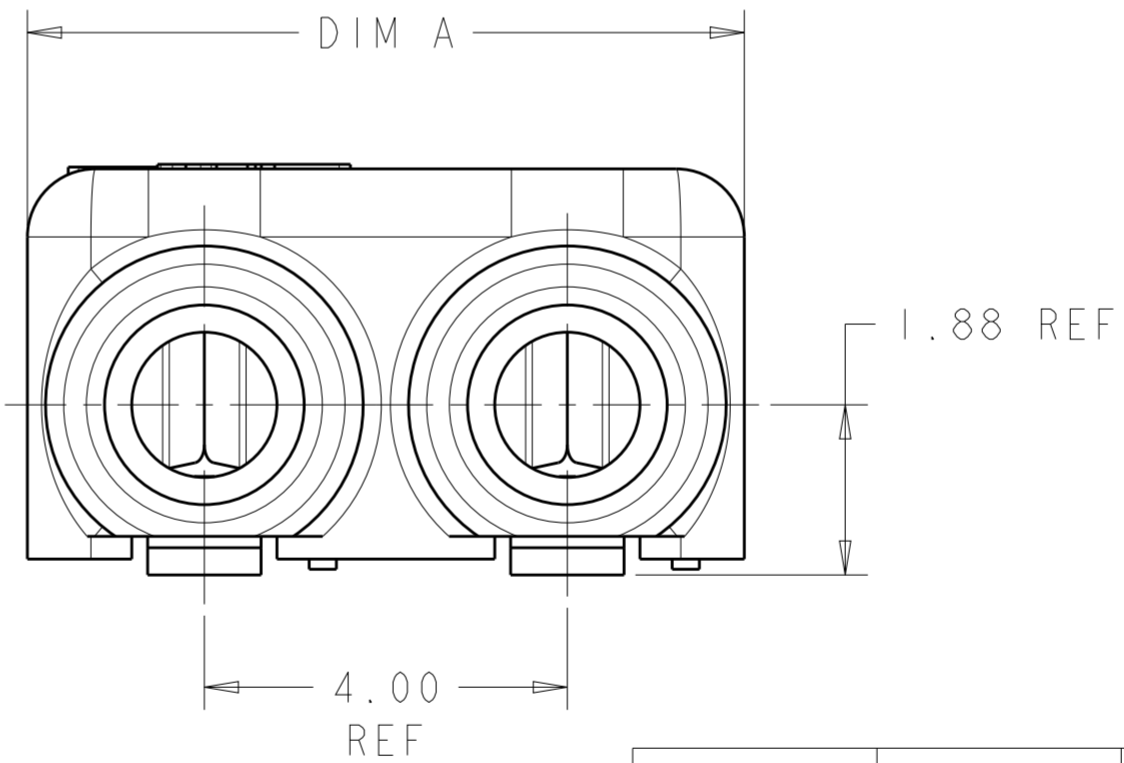
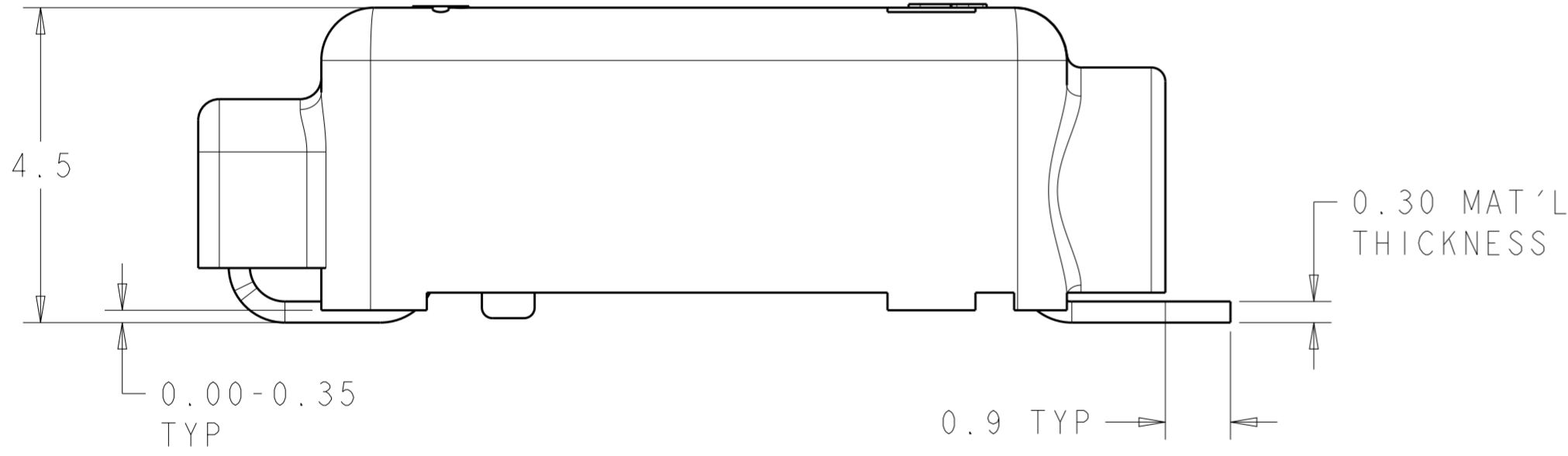
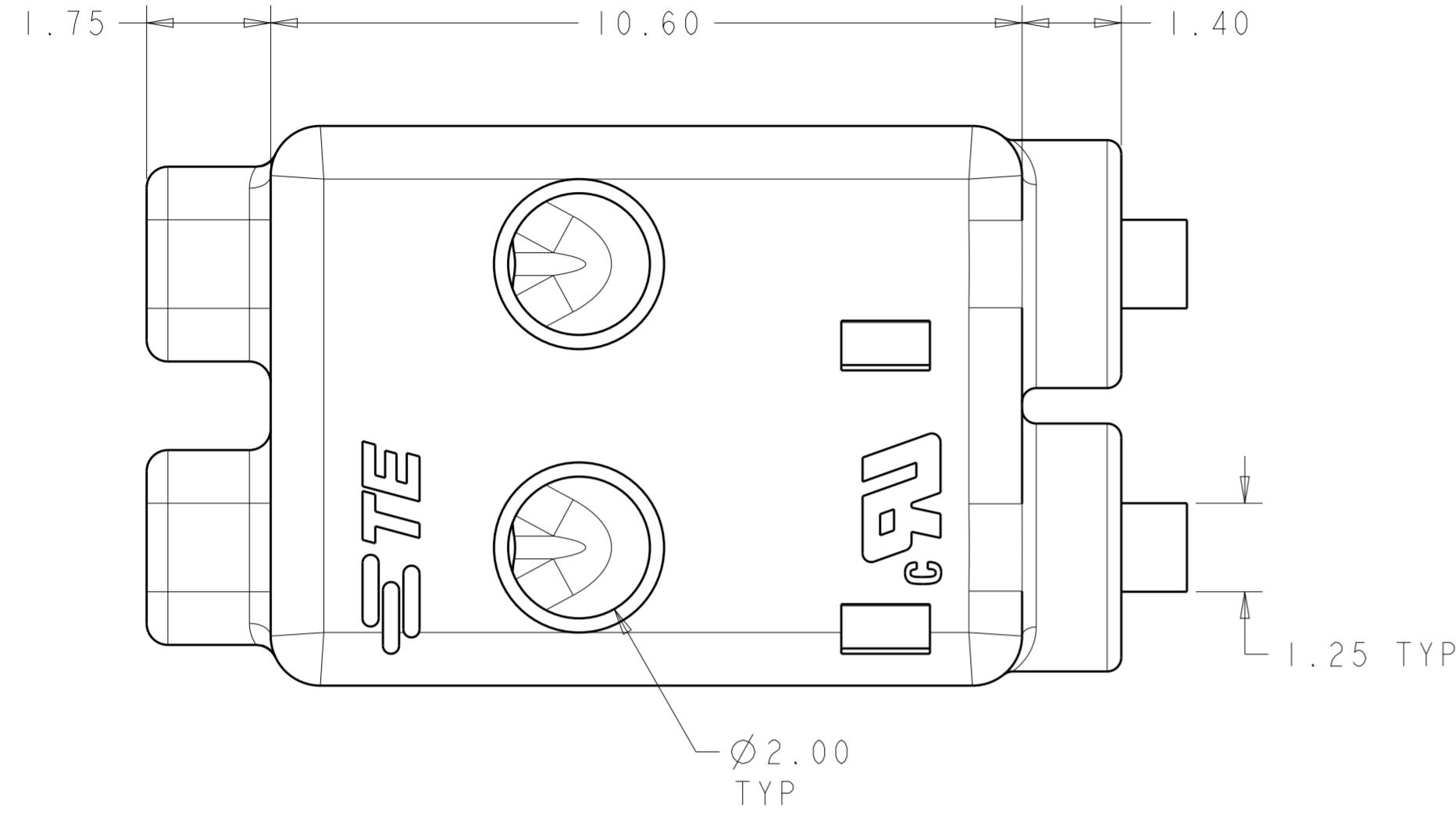
THIS DRAWING IS UNPUBLISHED. RELEASED FOR PUBLICATION 20
 © COPYRIGHT 20 BY - ALL RIGHTS RESERVED.

LOC		DIST		REVISIONS			
P	LTR	DESCRIPTION	DATE	DWN	APVD		
	A	REVISED PER ECR-14-018998	08JAN2015	RS	DD		

NOTES :

- 1. MATERIALS AND FINISH:
 - HOUSING: LCP, COLOR: WHITE
 - CONTACTS: COPPER ALLOY, FINISH: PRE-TIN OVER NICKEL UNDERPLATE
- 2. MUST COMPLY WITH DIRECTIVE 2002/95/EC (ROHS)
- 3. NOTE DELETED.
- 4. WIRE TYPES AND SIZES ACCEPTED
 - SOLID WIRE: 18AWG, 20AWG, 22AWG, 0.75mm², AND 0.5mm²
 - STRANDED WIRE: 18AWG (16 STRANDS MAX), 20AWG (7 STRANDS MAX), 22AWG (7 STRANDS MAX), 0.75mm² (24 STRANDS MAX), AND 0.5mm² (16 STRANDS MAX),
 - PREBOND WIRE: 18AWG (16 STRANDS MAX), 20AWG (7 STRANDS MAX)

MAX INSULATION OD: 2.05mm (.081") MAX.
 STRIP LENGTH: 9.0±1.0 (.354")
- 5. PACKAGED IN TAPE AND REEL



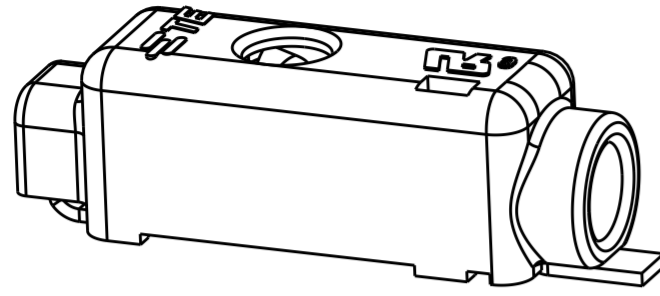
20.00	11.90	2 POSN; SELECT LOAD	1-2213301-2
20.00	11.90	3 POSN	2213301-3
16.00	7.90	2 POSN	2213301-2
12.00	3.90	1 POSN	2213301-1
DIM B	DIM A	NO. OF POSITIONS	PART NO.

THIS DRAWING IS A CONTROLLED DOCUMENT.

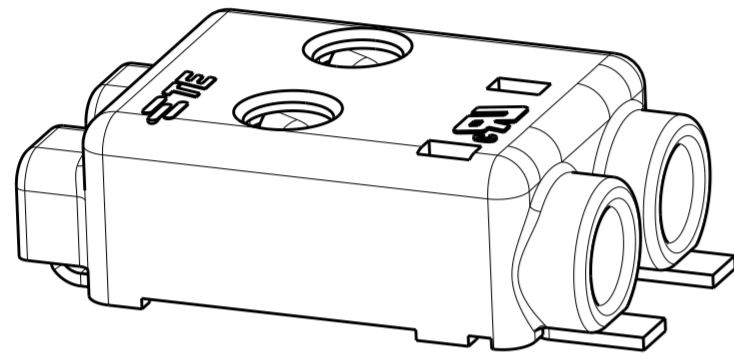
DWN C. DAILY 14JAN2014	TE Connectivity CONNECTOR ASSEMBLY, RELEASABLE POKE-IN
CHK E. HOWARD 14JAN2014	
APVD	NAME
PRODUCT SPEC 108-32063	SIZE CAGE CODE DRAWING NO. RESTRICTED TO
APPLICATION SPEC 114-32113	A200779 C-2213301
MATERIAL SEE TABLE	WEIGHT Customer Drawing
SCALE 2.1 SHEET 1 OF 3 REV A	

THIS DRAWING IS UNPUBLISHED. RELEASED FOR PUBLICATION 20
 © COPYRIGHT 20 BY - ALL RIGHTS RESERVED.

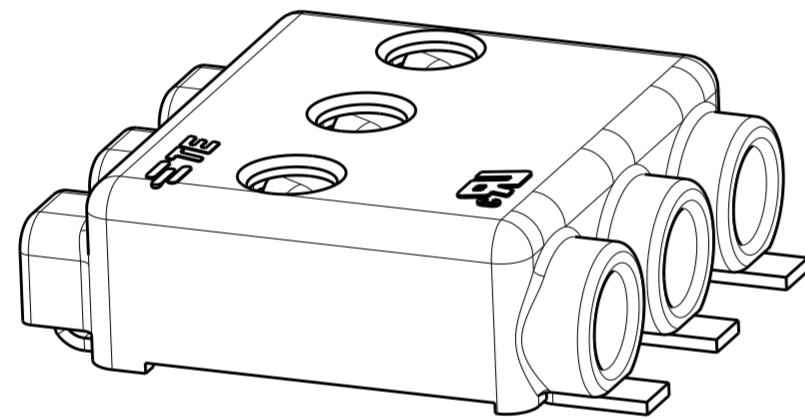
LOC		DIST		REVISIONS			
P	LTR	DESCRIPTION	DATE	DWN	APVD		
-	-	SEE SHEET 1	-	-	-		



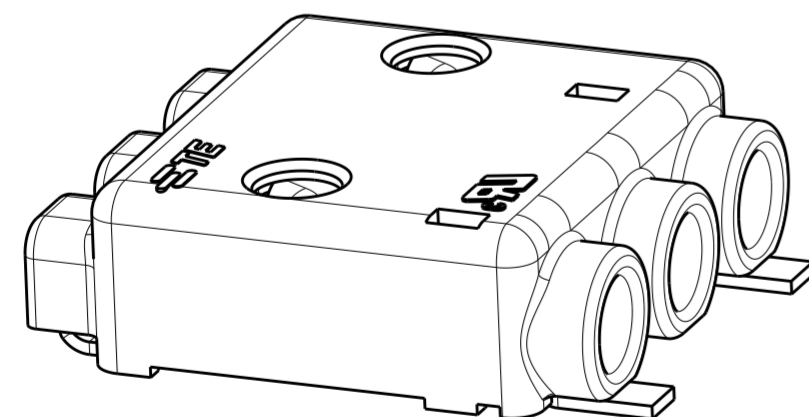
2213301-1
SCALE 6:1



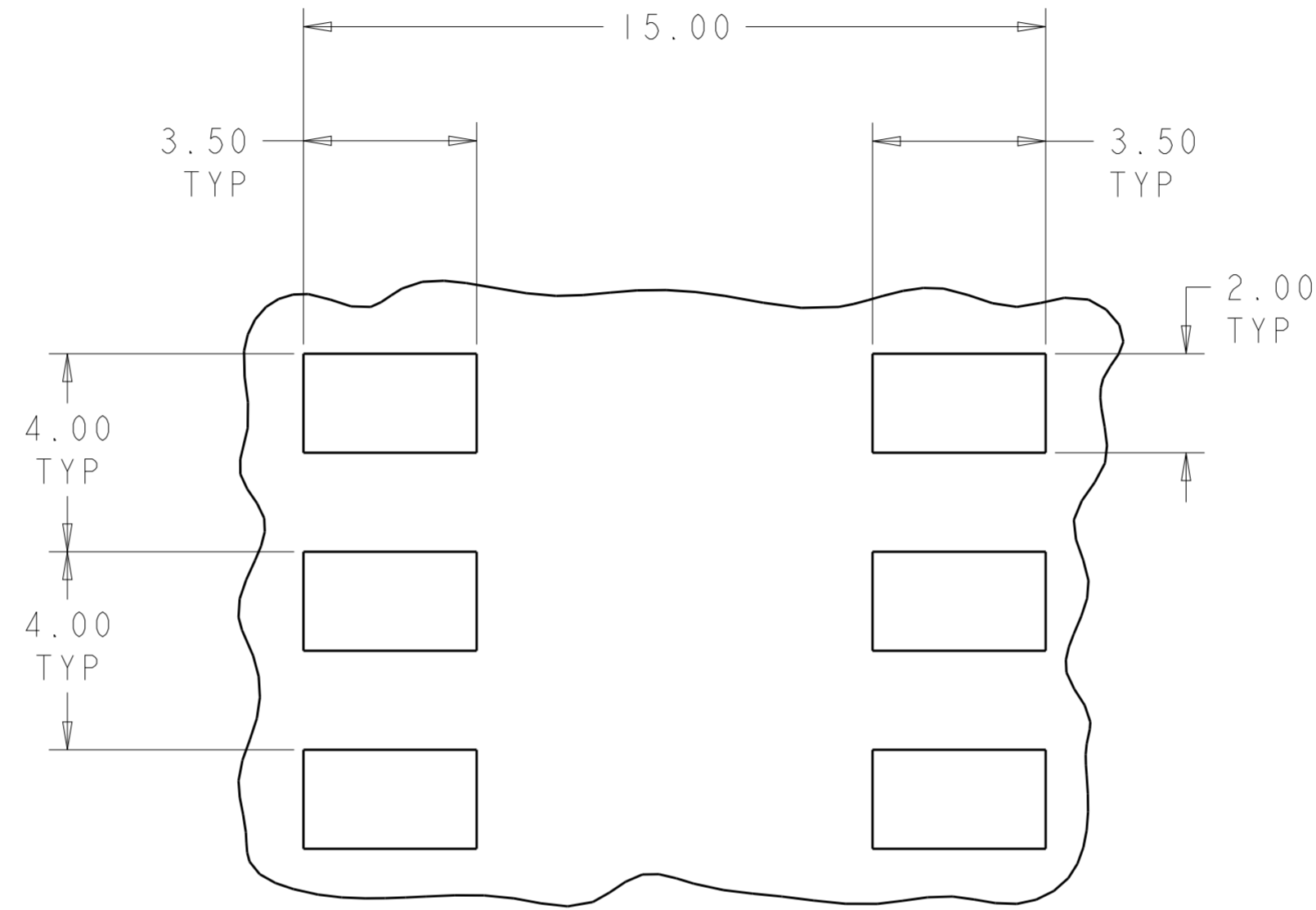
2213301-2
SCALE 6:1



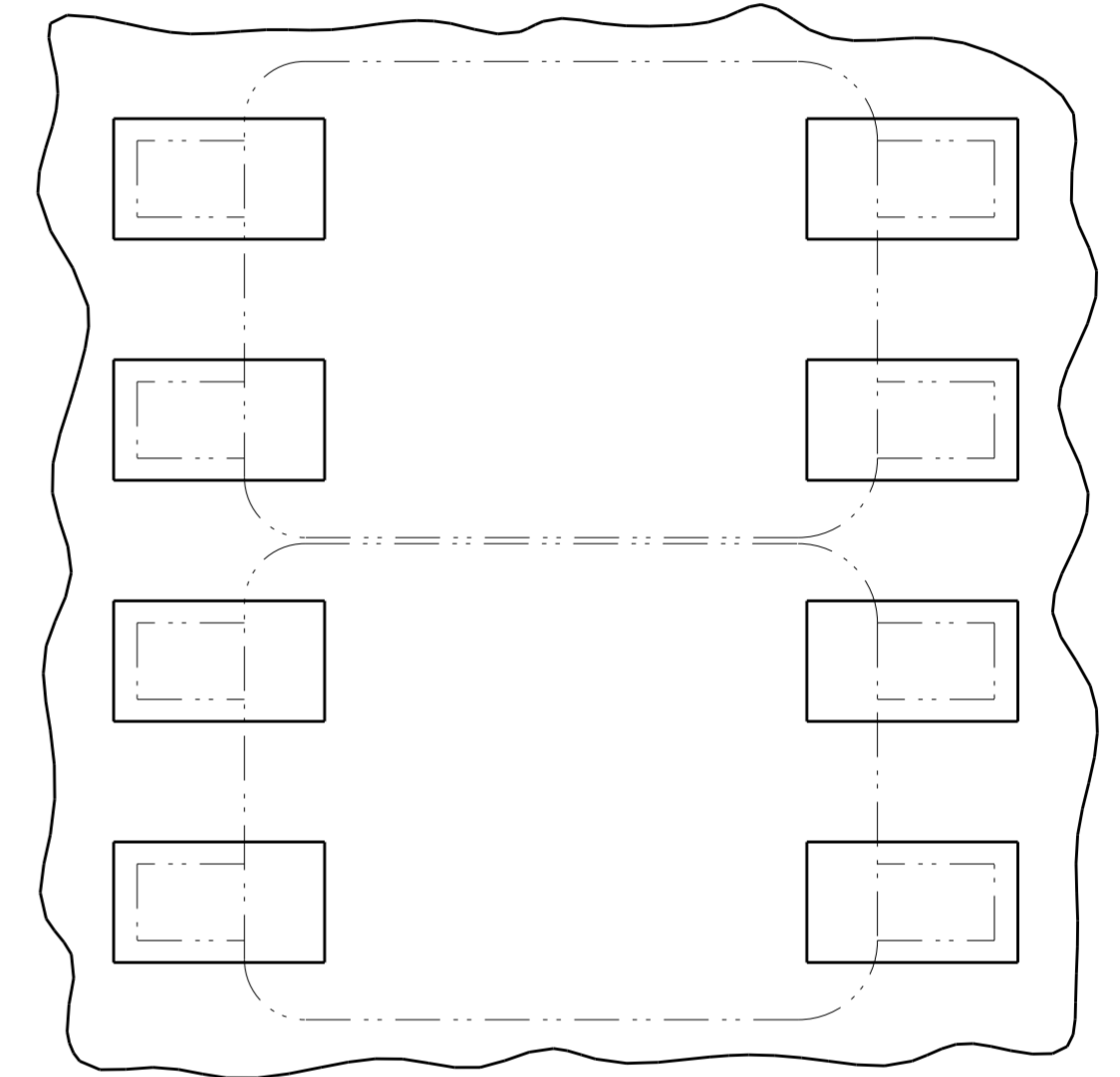
2213301-3
SCALE 6:1



1-2213301-2
SCALE 6:1



RECOMMENDED PCB LAYOUT

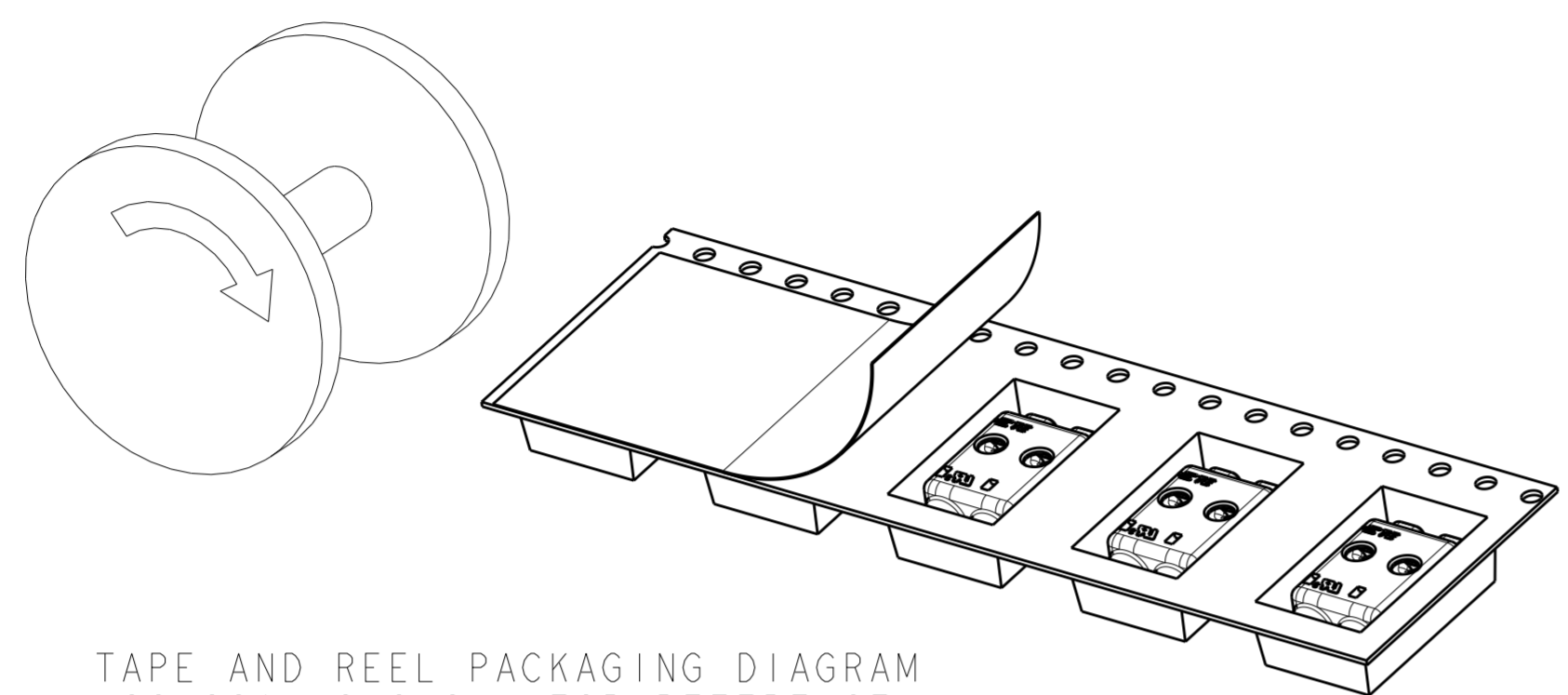


SIDE BY SIDE STACKABLE
2213301-2 SHOWN FOR REFERENCE
SCALE 8:1

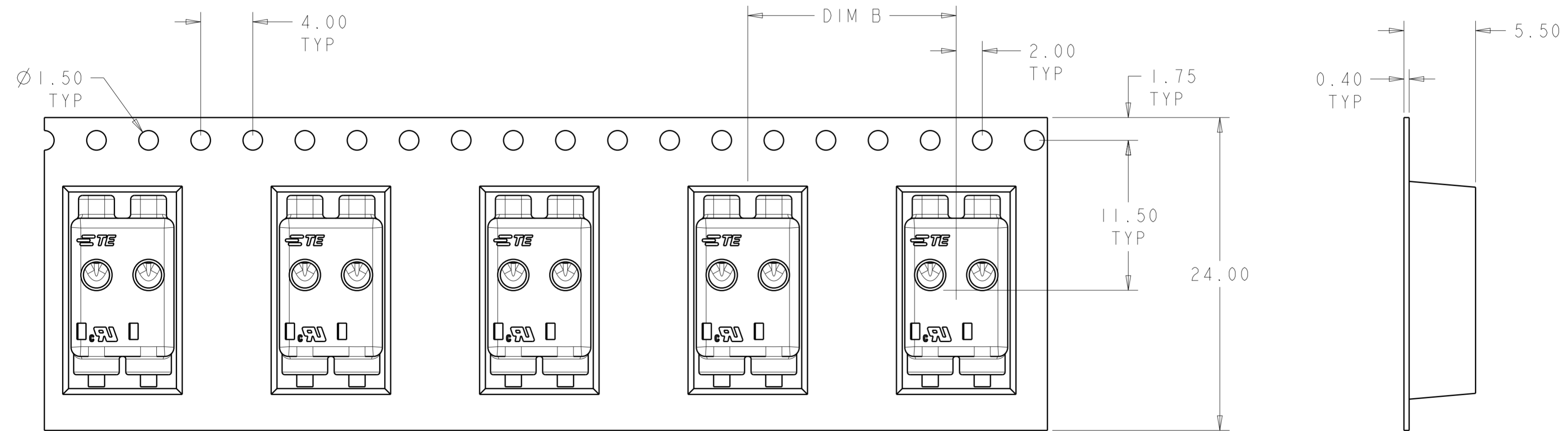
THIS DRAWING IS A CONTROLLED DOCUMENT.		DWN C. DAILY 14JAN2014	TE Connectivity	
		CHK E. HOWARD 14JAN2014		
DIMENSIONS: mm		TOLERANCES UNLESS OTHERWISE SPECIFIED:		NAME CONNECTOR ASSEMBLY, RELEASABLE POKE-IN
		0 PLC ±	1 PLC ±0.3	PRODUCT SPEC 108-32063
		2 PLC ±0.13	3 PLC ±	APPLICATION SPEC 114-32113
		4 PLC ±	ANGLES ±3°	SIZE A200779
MATERIAL		FINISH	WEIGHT	CAGE CODE C-2213301
SEE TABLE		Customer Drawing	SCALE 6:1	RESTRICTED TO -
			SHEET 2 OF 3	REV A

THIS DRAWING IS UNPUBLISHED. RELEASED FOR PUBLICATION 20
 © COPYRIGHT 20 BY - ALL RIGHTS RESERVED.

LOC		DIST		REVISIONS			
P	LTR	DESCRIPTION	DATE	DWN	APVD		
-	-	SEE SHEET 1	-	-	-		



TAPE AND REEL PACKAGING DIAGRAM
 2213301-2 SHOWN FOR REFERENCE



SCALE 4:1

THIS DRAWING IS A CONTROLLED DOCUMENT.		DWN C. DAILY 14JAN2014	TE Connectivity		
		CHK E. HOWARD 14JAN2014			
DIMENSIONS: mm		TOLERANCES UNLESS OTHERWISE SPECIFIED: 0 PLC ± 1 PLC ±0.3 2 PLC ±0.13 3 PLC ± 4 PLC ± ANGLES ±3° FINISH		NAME CONNECTOR ASSEMBLY, RELEASABLE POKE-IN	
		PRODUCT SPEC 108-32063		SIZE CAGE CODE DRAWING NO RESTRICTED TO A200779 C-2213301 -	
MATERIAL		APPLICATION SPEC 114-32113		SCALE 6:1 SHEET 3 OF 3 REV A	
SEE TABLE		WEIGHT -		Customer Drawing	