



Chipsmall Limited consists of a professional team with an average of over 10 year of expertise in the distribution of electronic components. Based in Hongkong, we have already established firm and mutual-benefit business relationships with customers from,Europe,America and south Asia,supplying obsolete and hard-to-find components to meet their specific needs.

With the principle of “Quality Parts,Customers Priority,Honest Operation,and Considerate Service”,our business mainly focus on the distribution of electronic components. Line cards we deal with include Microchip,ALPS,ROHM,Xilinx,Pulse,ON,Everlight and Freescale. Main products comprise IC,Modules,Potentiometer,IC Socket,Relay,Connector.Our parts cover such applications as commercial,industrial, and automotives areas.

We are looking forward to setting up business relationship with you and hope to provide you with the best service and solution. Let us make a better world for our industry!



Contact us

Tel: +86-755-8981 8866 Fax: +86-755-8427 6832

Email & Skype: info@chipsmall.com Web: www.chipsmall.com

Address: A1208, Overseas Decoration Building, #122 Zhenhua RD., Futian, Shenzhen, China



THIS DRAWING IS UNPUBLISHED.

RELEASED FOR PUBLICATION

20

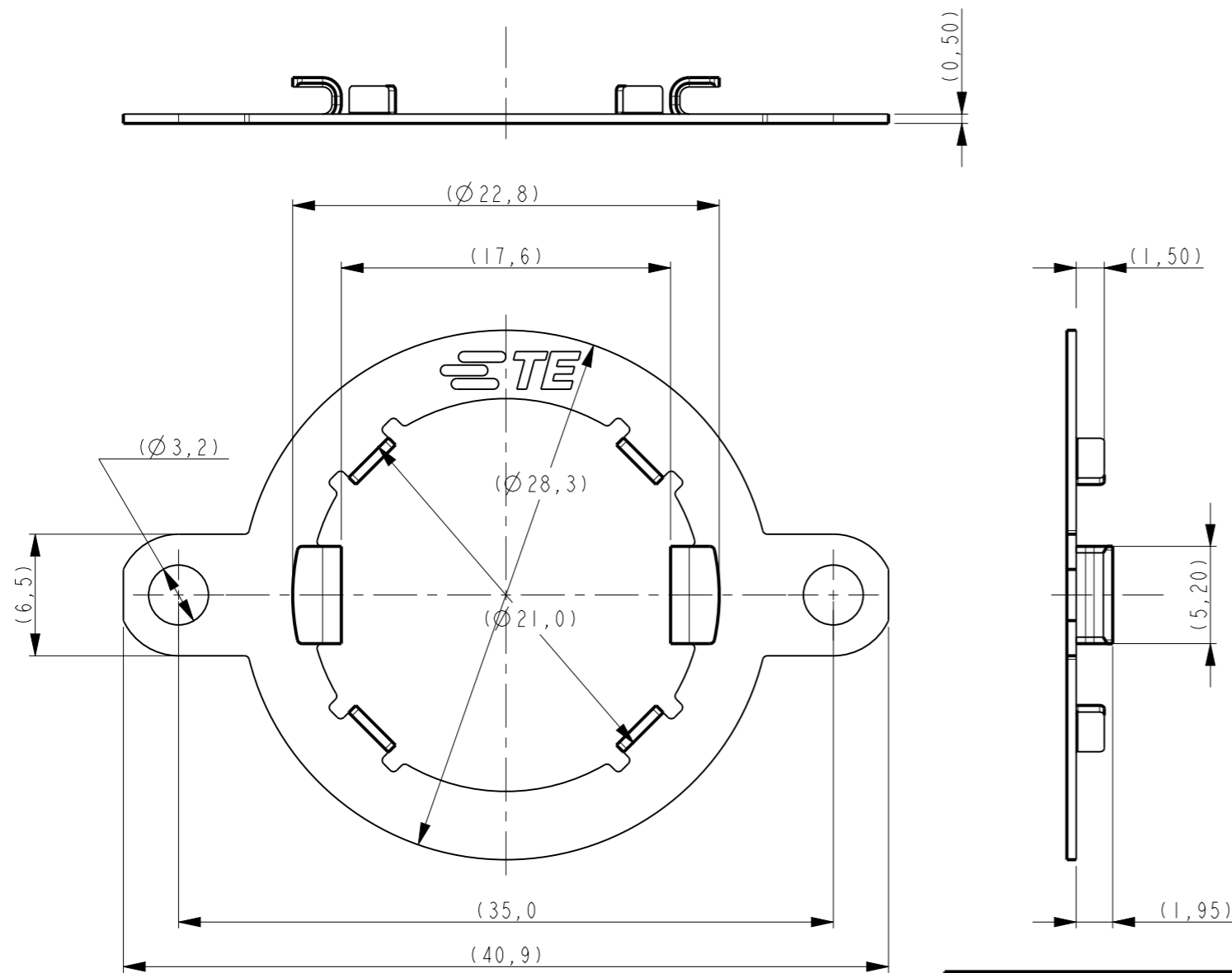
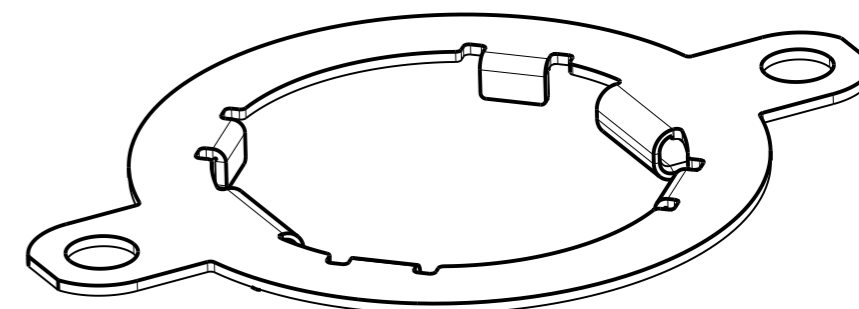
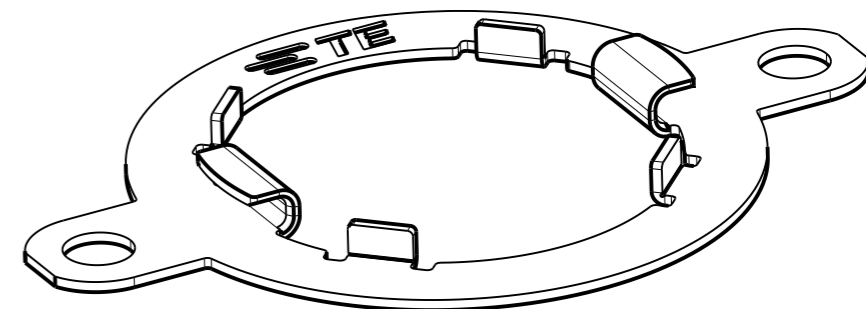
© COPYRIGHT 20 BY -

ALL RIGHTS RESERVED.


LOC	DIST	REVISIONS					
		P	LTR	DESCRIPTION	DATE	DWN	APVD
-	-		A	RELEASE PER ECO 13-014783	18SEP2013	PP	OL
			A1	REVISED PER ECR-14-000133	22JAN2014	YR	OL

NOTES:

1. MATERIAL: STAINLESS STEEL
2. MUST COMPLY WITH DIRECTIVE 2002/95/EC (RoHS)08 MAX.
3. TO BE USED INLINE WITH Z50 ZHAGA COVERS.
4. TO BE USED OPTIC INTERFACE, SEE SHEET 2.

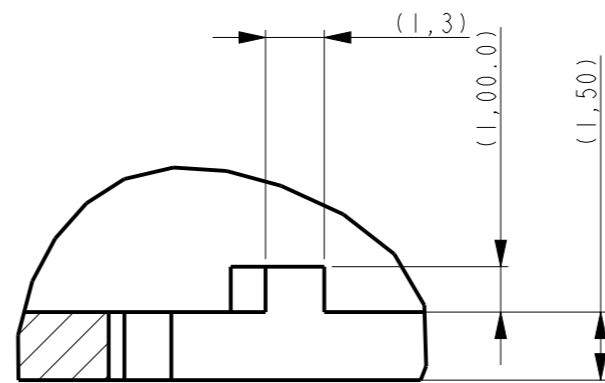
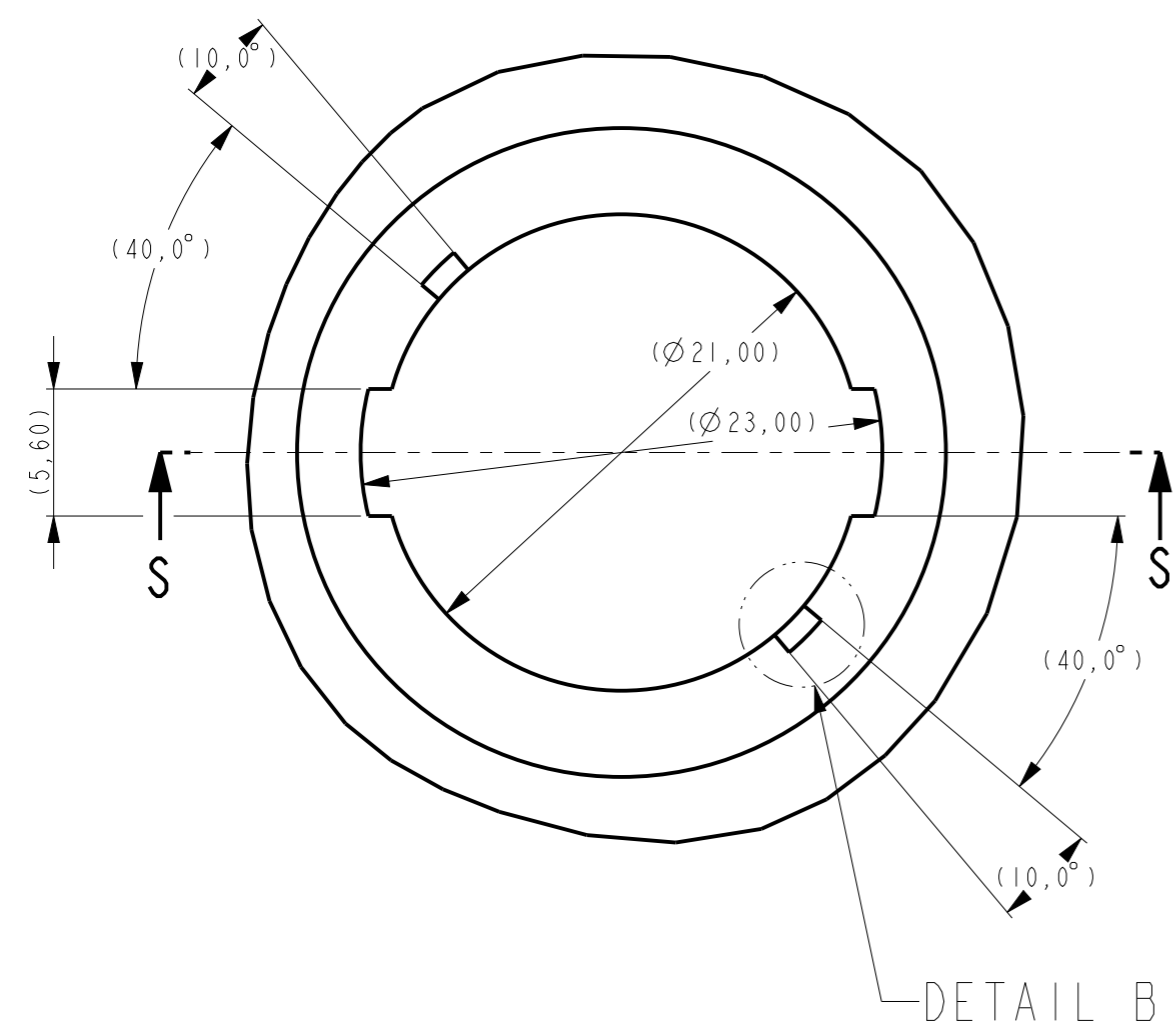


PART NUMBER
2213349-1

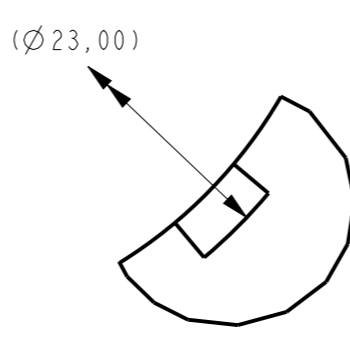
THIS DRAWING IS A CONTROLLED DOCUMENT.		DWN M.V.ESSEN 18JAN2013	 TE Connectivity				
DIMENSIONS: mm		CHK M.V.ESSEN 18JAN2013					
TOLERANCES UNLESS OTHERWISE SPECIFIED:		APVD O.I.FLJNSE 22JAN2013	NAME LUMAWISE LED HOLDER OPTIC CLIP Z50, TYPE 2				
0 PLC ±- 1 PLC ±- 2 PLC ±- 3 PLC ±- 4 PLC ±- ANGLES ±-		PRODUCT SPEC 108-133013	SIZE A3	CAGE CODE 00779	DRAWING NO C-2213349	RESTRICTED TO -	
MATERIAL -		FINISH -	WEIGHT -	SCALE 3:1		SHEET 1 OF 2	REV A1
		CUSTOMER DRAWING					

LOC	DIST	REVISIONS			
P	LTR	DESCRIPTION	DATE	DWN	APVD
-	-	SEE SHEET 1			

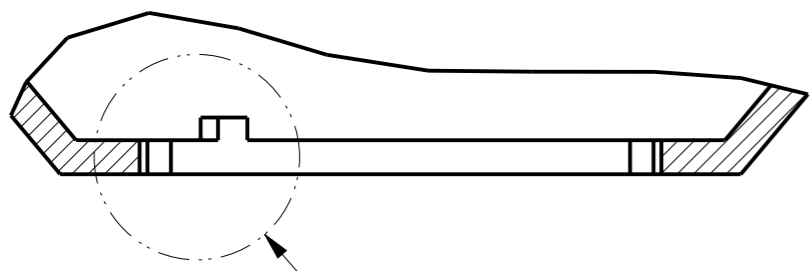
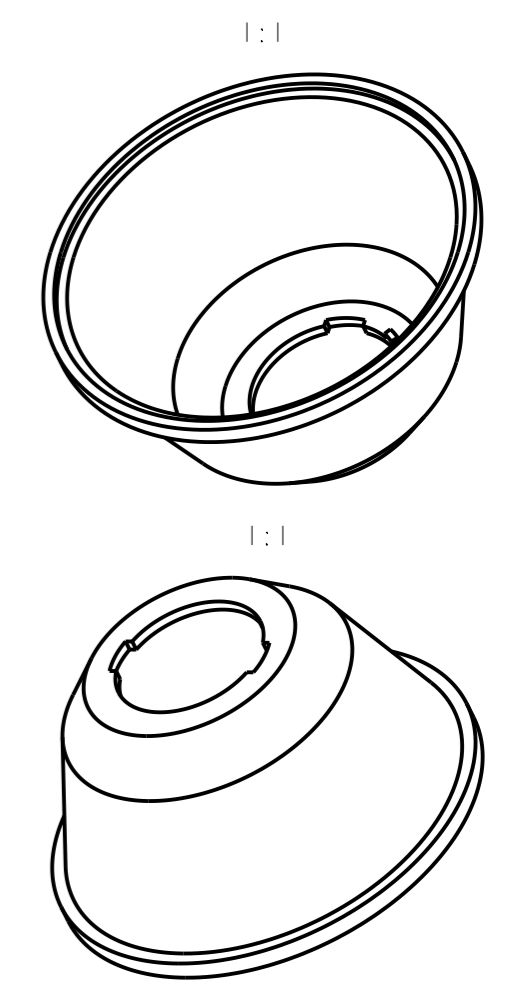
RECOMMENDED OPTIC INTERFACE



DETAIL A
6:1



DETAIL B
6:1



SECTION S-S
DETAIL A

THIS DRAWING IS A CONTROLLED DOCUMENT.		DWN M.V.ESSEN 18JAN2013	STE TE Connectivity		
DIMENSIONS: mm		CHK M.V.ESSEN 18JAN2013			
TOLERANCES UNLESS OTHERWISE SPECIFIED:		APVD O.I.FLJNSE 22JAN2013	NAME LUMAWISE LED HOLDER OPTIC CLIP Z50, TYPE 2		
0 PLC ±-		PRODUCT SPEC 108-133013	SIZE A3	CAGE CODE 00779	DRAWING NO C-2213349
1 PLC ±-		APPLICATION SPEC 114-32105	RESTRICTED TO -		
2 PLC ±-		WEIGHT -	SCALE 3:1		
3 PLC ±-		CUSTOMER DRAWING	SHEET 2 OF 2		
4 PLC ±-			REV A1		
ANGLES ±-					
FINISH -					