



Chipsmall Limited consists of a professional team with an average of over 10 year of expertise in the distribution of electronic components. Based in Hongkong, we have already established firm and mutual-benefit business relationships with customers from,Europe,America and south Asia,supplying obsolete and hard-to-find components to meet their specific needs.

With the principle of “Quality Parts,Customers Priority,Honest Operation,and Considerate Service”,our business mainly focus on the distribution of electronic components. Line cards we deal with include Microchip,ALPS,ROHM,Xilinx,Pulse,ON,Everlight and Freescale. Main products comprise IC,Modules,Potentiometer,IC Socket,Relay,Connector.Our parts cover such applications as commercial,industrial, and automotives areas.

We are looking forward to setting up business relationship with you and hope to provide you with the best service and solution. Let us make a better world for our industry!



Contact us

Tel: +86-755-8981 8866 Fax: +86-755-8427 6832

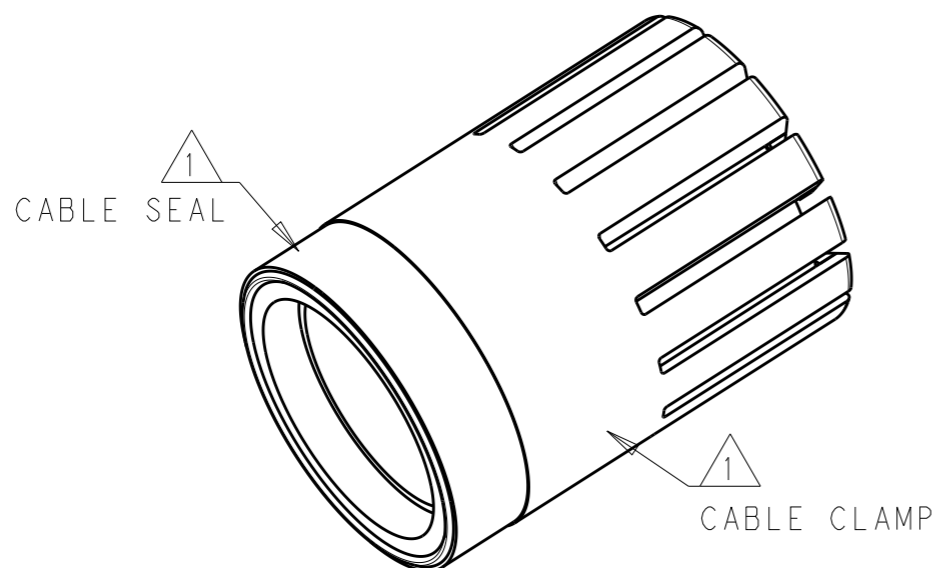
Email & Skype: info@chipsmall.com Web: www.chipsmall.com

Address: A1208, Overseas Decoration Building, #122 Zhenhua RD., Futian, Shenzhen, China



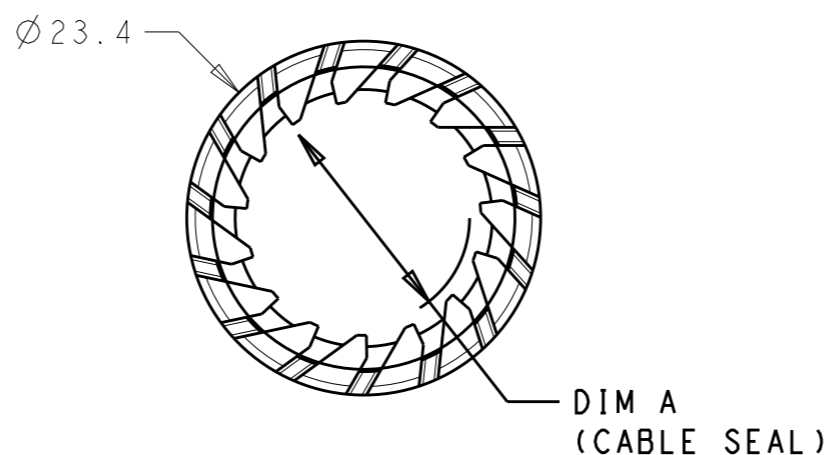
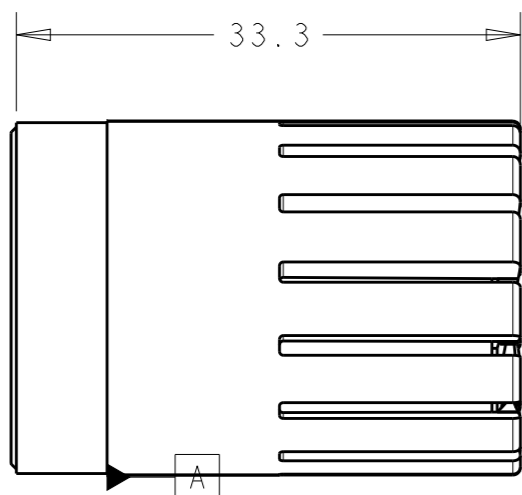
REVISIONS

P	LTR	DESCRIPTION	DATE	DWN	APVD
	A	REVISED AS PER ECR-15-005925	21APR2015	RS	JL



NOTES:

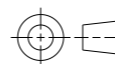
- 1 MATERIALS:
 CABLE SEAL-THERMOPLASTIC ELASTOMER (TPE),
 COLOR BLACK
 CABLE CLAMP-GLASS FILLED PBT,
 COLOR BLACK
- 2. MUST COMPLY WITH DIRECTIVE 2002/95/EC (ROHS)
- 3. THIS PRODUCT HAS NOT COMPLETED VALIDATION TESTING



14-17	17.0	2213351-2
11-14	14.0	2213351-1
CABLE DIA	DIA "A"	PART NO.

THIS DRAWING IS A CONTROLLED DOCUMENT.

DIMENSIONS:
mm



TOLERANCES UNLESS OTHERWISE SPECIFIED:

0 PLC	±-
1 PLC	±0.2
2 PLC	±0.13
3 PLC	±-
4 PLC	±-
ANGLES	±-

MATERIAL
NOTE 1

FINISH

-

DWN J. SHAFFER 13NOV2013

CHK M. LUKSIC 13NOV2013

APVD M. LUKSIC 13NOV2013

PRODUCT SPEC

108-133014

APPLICATION SPEC

114-32111

WEIGHT

-

Customer Drawing

STE TE Connectivity

NAME
CABLE CLAMP/SEAL ASSY, 5/6/7
POSN, NECTOR M-LINE, SEALED

SIZE CAGE CODE DRAWING NO RESTRICTED TO

A3 - C-2213351 -

SCALE 1:1 SHEET 1 OF 1 REV A