



Chipsmall Limited consists of a professional team with an average of over 10 year of expertise in the distribution of electronic components. Based in Hongkong, we have already established firm and mutual-benefit business relationships with customers from,Europe,America and south Asia,supplying obsolete and hard-to-find components to meet their specific needs.

With the principle of “Quality Parts,Customers Priority,Honest Operation,and Considerate Service”,our business mainly focus on the distribution of electronic components. Line cards we deal with include Microchip,ALPS,ROHM,Xilinx,Pulse,ON,Everlight and Freescale. Main products comprise IC,Modules,Potentiometer,IC Socket,Relay,Connector.Our parts cover such applications as commercial,industrial, and automotives areas.

We are looking forward to setting up business relationship with you and hope to provide you with the best service and solution. Let us make a better world for our industry!



## Contact us

Tel: +86-755-8981 8866 Fax: +86-755-8427 6832

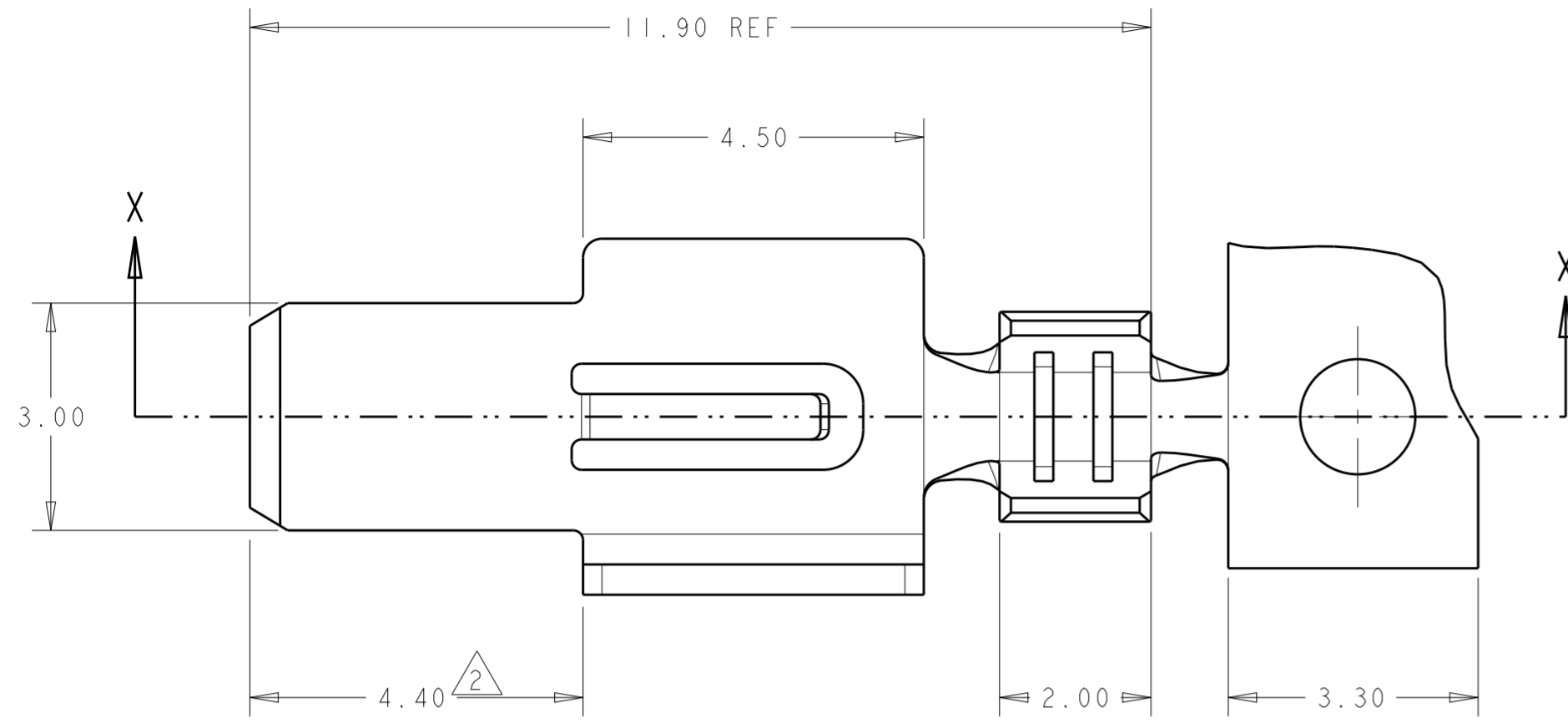
Email & Skype: info@chipsmall.com Web: www.chipsmall.com

Address: A1208, Overseas Decoration Building, #122 Zhenhua RD., Futian, Shenzhen, China

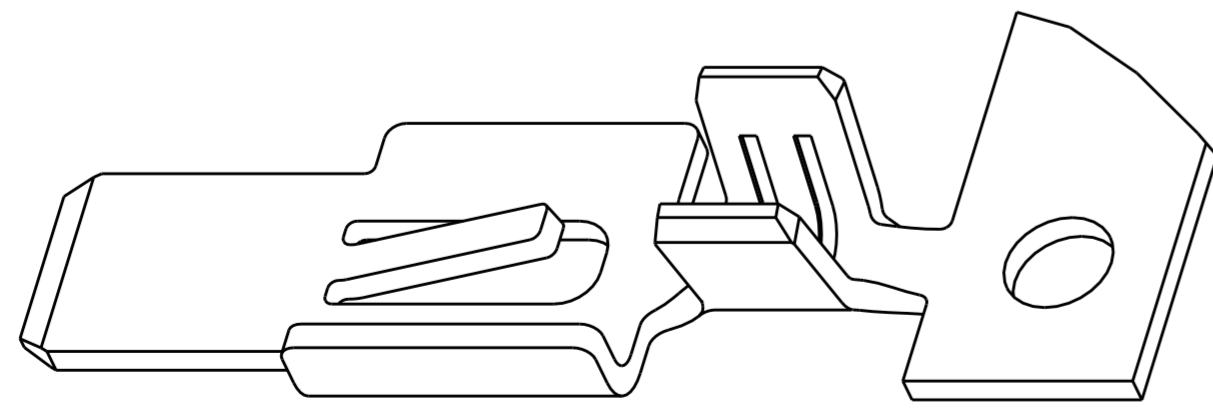
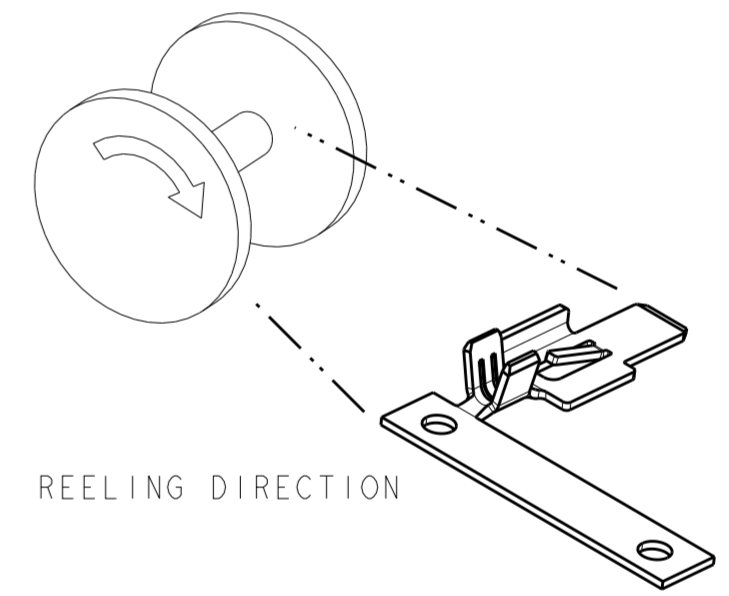
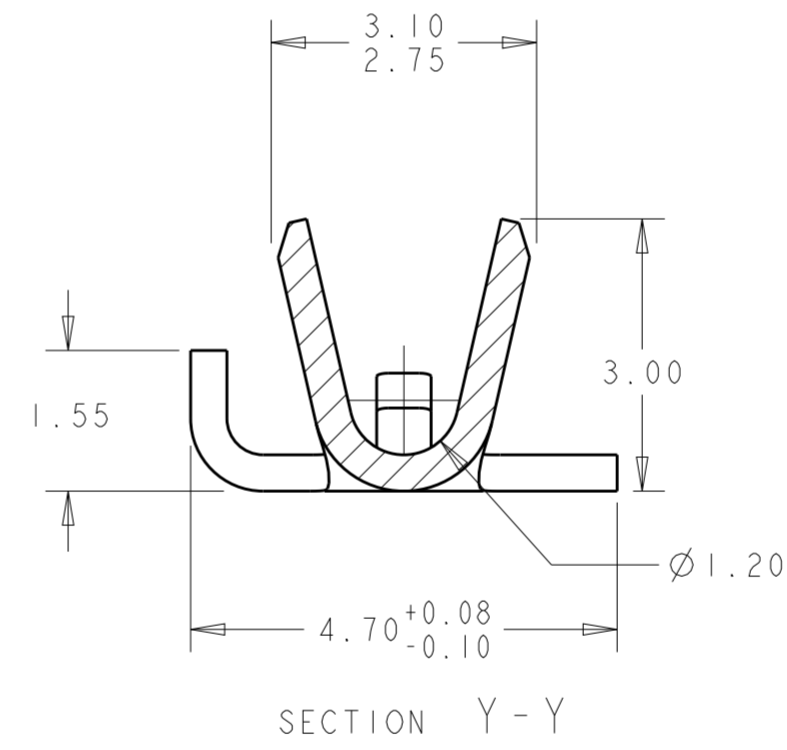
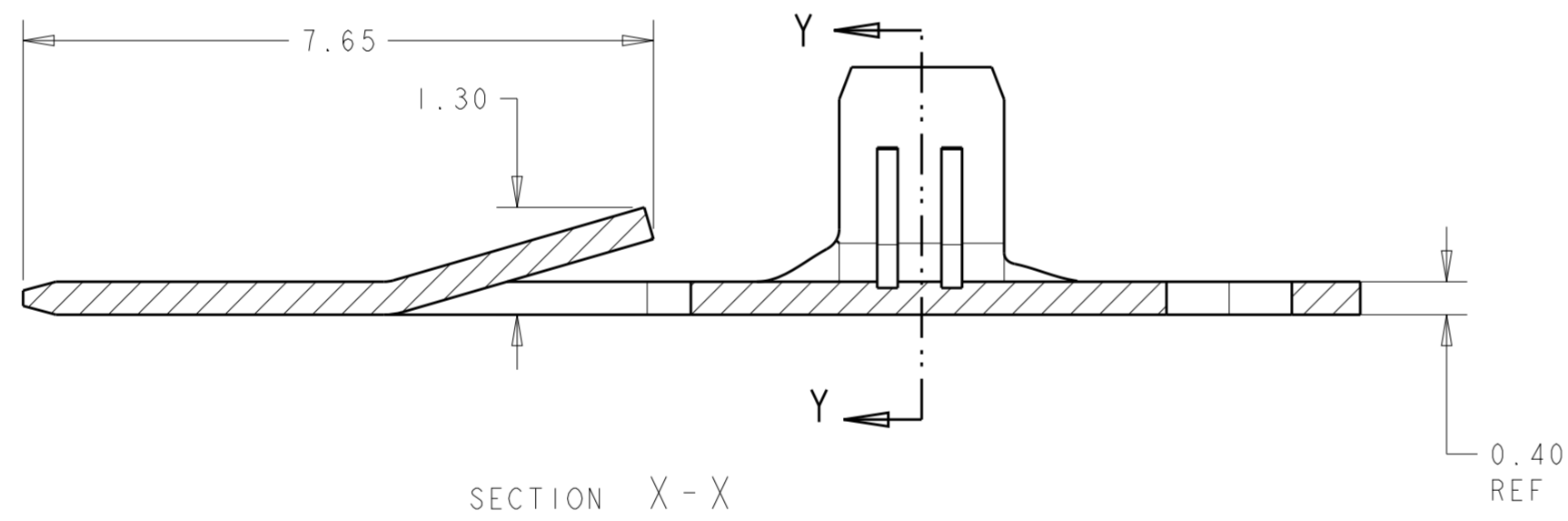


THIS DRAWING IS UNPUBLISHED. RELEASED FOR PUBLICATION 20  
 © COPYRIGHT 20 BY - ALL RIGHTS RESERVED.

LOC		DIST		REVISIONS			
P	LTR	DESCRIPTION	DATE	DWN	APVD		
	A	REVISED PER ECR-14-004311	27MAR2014	RS	DD		
	B	REVISED PER ECR-15-012675	01SEP2015	RS	DD		



- 1 MATERIAL: 0.40±0.01, BRASS.
- 2 PLATED OVERALL WITH NICKEL, OVER GOLD IN THE ZONE IDENTIFIED, ALL OTHER AREAS PLATED OVER WITH TIN.
- 3. WIRE RANGE : 22-18 AWG.



2213374-1 SHOWN

ON STRIP	2213374-1
REMARKS	PART NO

THIS DRAWING IS A CONTROLLED DOCUMENT.		DWN RAVLS 16AUG2013	<b>STE</b> TE Connectivity	
		CHK D. DECKER 16AUG2013		
		APVD D. DECKER 16AUG2013	NAME BLADE CONTACT, WIRE TO BOARD CONNECTOR	
DIMENSIONS: mm		PRODUCT SPEC 108-2387	SIZE A200779	
TOLERANCES UNLESS OTHERWISE SPECIFIED: 0 PLC ± 1 PLC ±0.3 2 PLC ±0.10 3 PLC ±0.00 4 PLC ±0.0001 ANGLES ±2° FINISH		APPLICATION SPEC 114-13252	DRAWING NO C-2213374	
MATERIAL 1 - 2 -		WEIGHT -	RESTRICTED TO -	
		Customer Drawing	SCALE 1:2	SHEET 1 OF 1