



Chipsmall Limited consists of a professional team with an average of over 10 year of expertise in the distribution of electronic components. Based in Hongkong, we have already established firm and mutual-benefit business relationships with customers from,Europe,America and south Asia,supplying obsolete and hard-to-find components to meet their specific needs.

With the principle of “Quality Parts,Customers Priority,Honest Operation,and Considerate Service”,our business mainly focus on the distribution of electronic components. Line cards we deal with include Microchip,ALPS,ROHM,Xilinx,Pulse,ON,Everlight and Freescale. Main products comprise IC,Modules,Potentiometer,IC Socket,Relay,Connector.Our parts cover such applications as commercial,industrial, and automotives areas.

We are looking forward to setting up business relationship with you and hope to provide you with the best service and solution. Let us make a better world for our industry!



Contact us

Tel: +86-755-8981 8866 Fax: +86-755-8427 6832

Email & Skype: info@chipsmall.com Web: www.chipsmall.com

Address: A1208, Overseas Decoration Building, #122 Zhenhua RD., Futian, Shenzhen, China



THIS DRAWING IS UNPUBLISHED.

RELEASED FOR PUBLICATION

20

© COPYRIGHT 20 BY -

ALL RIGHTS RESERVED.

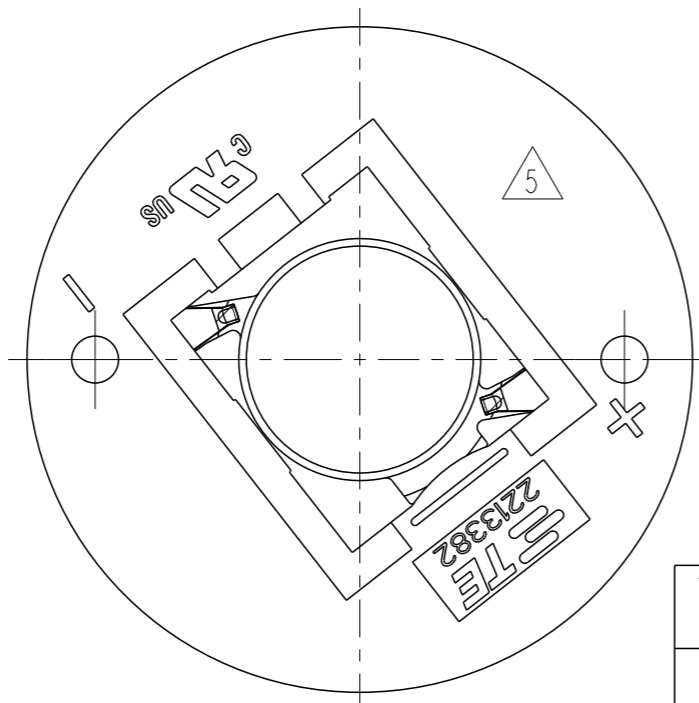
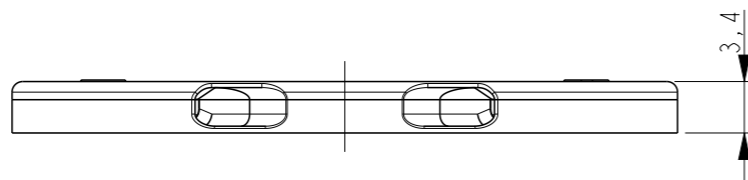
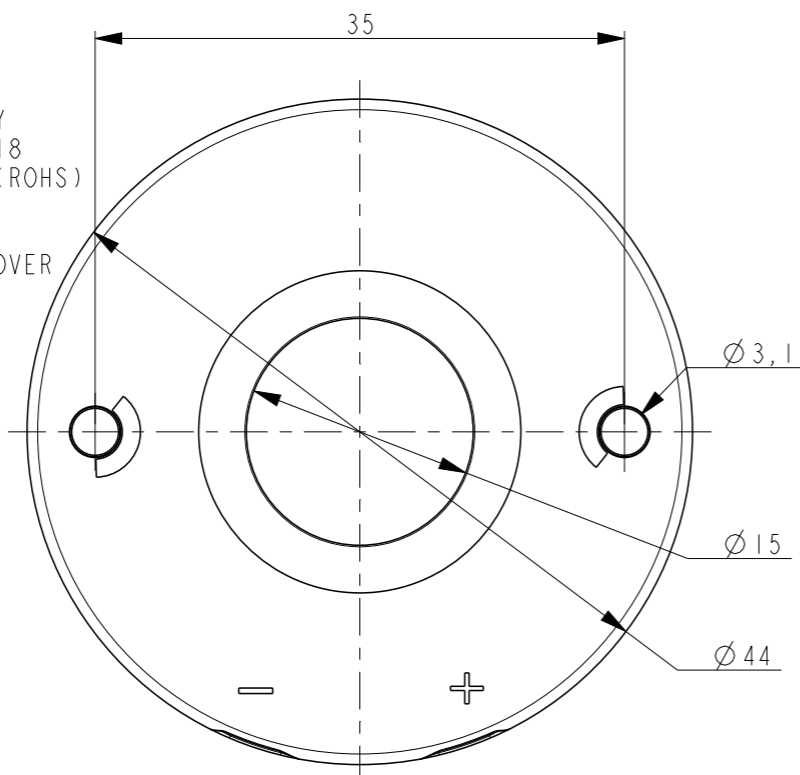
REVISIONS

P	LTR	DESCRIPTION	DATE	DWN	APVD
A1		ADDED PACKAGING VARIANT	26 AUG'14	MVE	OL
A2		ECR-15-010267	08JUL2015	KR	MVE
A3		ECR-16-001206	27JAN2016	KR	MvE
A4		ADDED RELEASED LEDS	25JAN2017	KR	MvE

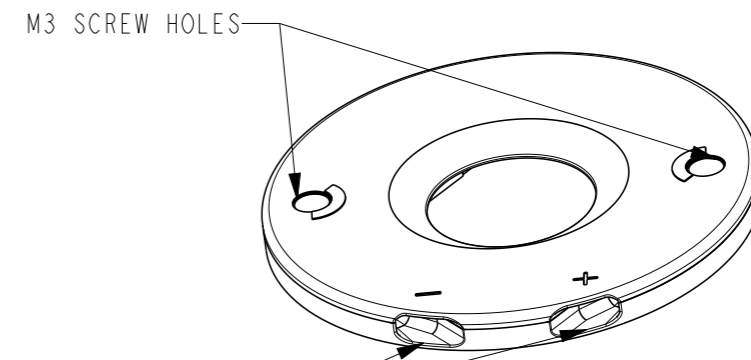
NOTES:

1. MATERIALS:
HOUSING: GLASS FILLED PBT
COLOR : NATURAL/WHITE
CONTACTS: SILVER PLATED COPPER ALLOY
2. FOR SOLID AND STRANDED WIRE AWG 22-18
3. COMPLIES WITH DIRECTIVE 2002/95/EC (ROHS)
4. M3 SCREW TO BE USED FOR MOUNTING

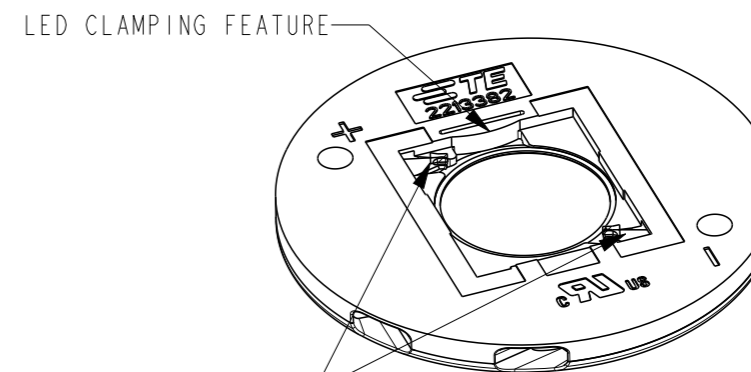
5. DATE CODE YY-WW-D ANY WHERE EXCEPT OVER LOGO OR +/- SIGN.



2213382-1 AS SHOWN
LUMAWISE LED HOLDER Z50 LOW PROFILE



SCALE 3:2



DESCRIPTION	PART NO	PACKAGING
LUMAWISE LED HOLDER Z50 LOW PROFILE 1619	2-2213382-1	2x10 PIECES IN TRAY AND BOX 25 BOXES IN SHIPPING BOX
LUMAWISE LED HOLDER Z50 STANDARD PROFILE 1619	1-2213382-2	2x10 PIECES IN TRAY AND BOX 25 BOXES IN SHIPPING BOX
LUMAWISE LED HOLDER Z50 LOW PROFILE 1619	1-2213382-1	2x10 PIECES IN TRAY AND BOX 25 BOXES IN SHIPPING BOX
LUMAWISE LED HOLDER Z50 STANDARD PROFILE 1619	2213382-2	5x4 PIECES IN TRAY 25 TRAYS IN SHIPPING BOX
LUMAWISE LED HOLDER Z50 LOW PROFILE 1619	2213382-1	5x4 PIECES IN TRAY 35 TRAYS IN SHIPPING BOX

THIS DRAWING IS A CONTROLLED DOCUMENT.		DWN YASHKUMAR 31AUG2013	STE TE Connectivity	
DIMENSIONS: mm		CHK M.V.ESSSEN 31AUG2013		
TOLERANCES UNLESS OTHERWISE SPECIFIED:		APVD O.I.FIUNSE 31AUG2013	NAME LUMAWISE LED HOLDER Z50 1619	
0 PLC ±-		PRODUCT SPEC 108-133008	SIZE A3	CAGE CODE -
1 PLC ±-		APPLICATION SPEC 114-32048	DRAWING NO C-2213382	RESTRICTED TO -
2 PLC ±-		WEIGHT -		
3 PLC ±-		Customer Drawing		
4 PLC ±-		SCALE 2:1		
ANGLES ±-		SHEET 1 OF 3		
FINISH		REV A4		

4

3

2

1

THIS DRAWING IS UNPUBLISHED.

RELEASED FOR PUBLICATION

20

© COPYRIGHT 20

BY -


ALL RIGHTS RESERVED.

REVISIONS

P	LTR	DESCRIPTION	DATE	DWN	APVD
	-	SEE SHEET 1	-	-	-

SCALE 3:2

2213382-2 AS SHOWN
LUMAWISE LED HOLDER Z50 STANDARD PROFILE

THIS DRAWING IS A CONTROLLED DOCUMENT.		DWN YASHKUMAR 31AUG2013	 TE Connectivity	
DIMENSIONS: mm		CHK M.V.ESSSEN 31AUG2013		
TOLERANCES UNLESS OTHERWISE SPECIFIED:		APVD O.I.FIUNSE 31AUG2013	NAME LUMAWISE LED HOLDER Z50 1619	
0 PLC ±- 1 PLC ±- 2 PLC ±- 3 PLC ±- 4 PLC ±- ANGLES ±-		PRODUCT SPEC 108-133008	RESTRICTED TO	
MATERIAL		APPLICATION SPEC 114-32048	SIZE A3	CAGE CODE -
FINISH		WEIGHT -	DRAWING NO C-2213382	RESTRICTED TO -
		Customer Drawing	SCALE 2:1	SHEET 2 OF 3
				REV A4

1470-19 (3/13)

4

3

2

1

THIS DRAWING IS UNPUBLISHED.

RELEASED FOR PUBLICATION

20

© COPYRIGHT 20

BY -

ALL RIGHTS RESERVED.

REVISIONS

P	LTR	DESCRIPTION	DATE	DWN	APVD
	-	SEE SHEET 1	-	-	-

THE SKETCH BELOW IS SHOWING THE NOMINAL LED COB DIMENSIONS TO MATCH WITH THE Z50 LED HOLDER 1619
FOR TECHNICAL DETAILS ABOUT A PROPER MATCH WITH A SPECIFIC LED COB ARRAY PLEASE CONTACT A REPRESENTATIVE AT TE-CONNECTIVITY

FOLLOWING LED TYPES ARE RELEASED FOR THIS HOLDER	DATA SHEET	REVISION
LUMILEDS 1203	DS115	
LUMILEDS 1202		
LUMILEDS 1203 CRSP		
LUMILEDS 1202 CRSP		
NICHIA L066	STS-DA1-2675A	
NICHIA L036A	STS-DA1-2675A	
NICHIA L121A	STS-DA7-3992	
SAMSUNG LC040C		REV. 2.1 2016.6.20

THIS DRAWING IS A CONTROLLED DOCUMENT.

DIMENSIONS:

mm

TOLERANCES UNLESS OTHERWISE SPECIFIED:

0 PLC	±-
1 PLC	±-
2 PLC	±-
3 PLC	±-
4 PLC	±-
ANGLES	±-

MATERIAL

-

FINISH

-

DWN 31AUG2013

YASHKUMAR

CHK 31AUG2013

M.V.ESSEN

APVD 31AUG2013

O.I.FIJNSE

PRODUCT SPEC

108-133008

APPLICATION SPEC

114-32048

WEIGHT

-

Customer Drawing

NAME

LUMAWISE LED HOLDER Z50 1619

SIZE

A3

CAGE CODE

-

DRAWING NO

C-2213382

RESTRICTED TO

-

SCALE 2:1

SHEET 3 OF 3

REV A4

TE Connectivity

1470-19 (3/13)