



Chipsmall Limited consists of a professional team with an average of over 10 year of expertise in the distribution of electronic components. Based in Hongkong, we have already established firm and mutual-benefit business relationships with customers from,Europe,America and south Asia,supplying obsolete and hard-to-find components to meet their specific needs.

With the principle of “Quality Parts,Customers Priority,Honest Operation,and Considerate Service”,our business mainly focus on the distribution of electronic components. Line cards we deal with include Microchip,ALPS,ROHM,Xilinx,Pulse,ON,Everlight and Freescale. Main products comprise IC,Modules,Potentiometer,IC Socket,Relay,Connector.Our parts cover such applications as commercial,industrial, and automotives areas.

We are looking forward to setting up business relationship with you and hope to provide you with the best service and solution. Let us make a better world for our industry!



Contact us

Tel: +86-755-8981 8866 Fax: +86-755-8427 6832

Email & Skype: info@chipsmall.com Web: www.chipsmall.com

Address: A1208, Overseas Decoration Building, #122 Zhenhua RD., Futian, Shenzhen, China



THIS DRAWING IS UNPUBLISHED.

RELEASED FOR PUBLICATION

20

© COPYRIGHT 20 BY -

ALL RIGHTS RESERVED.

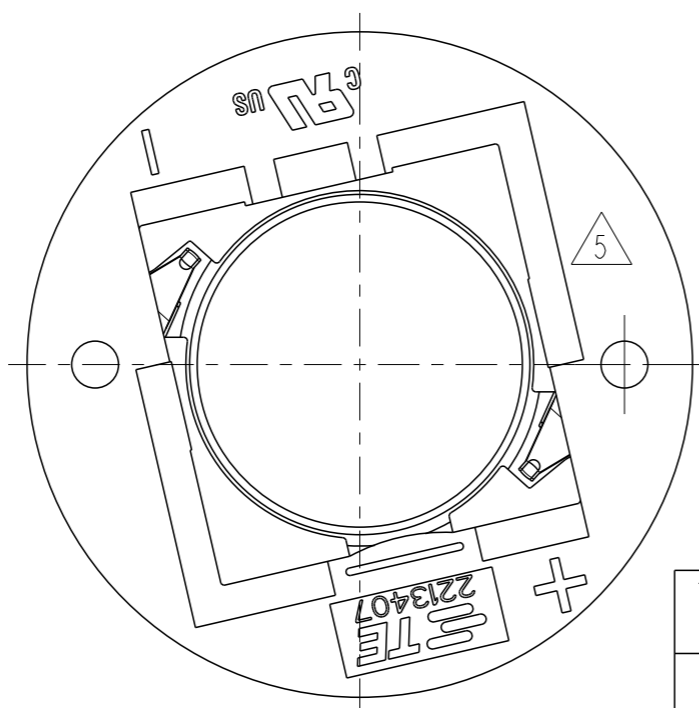
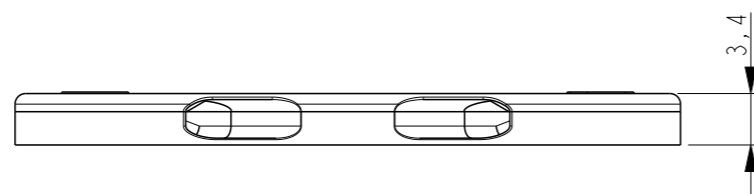
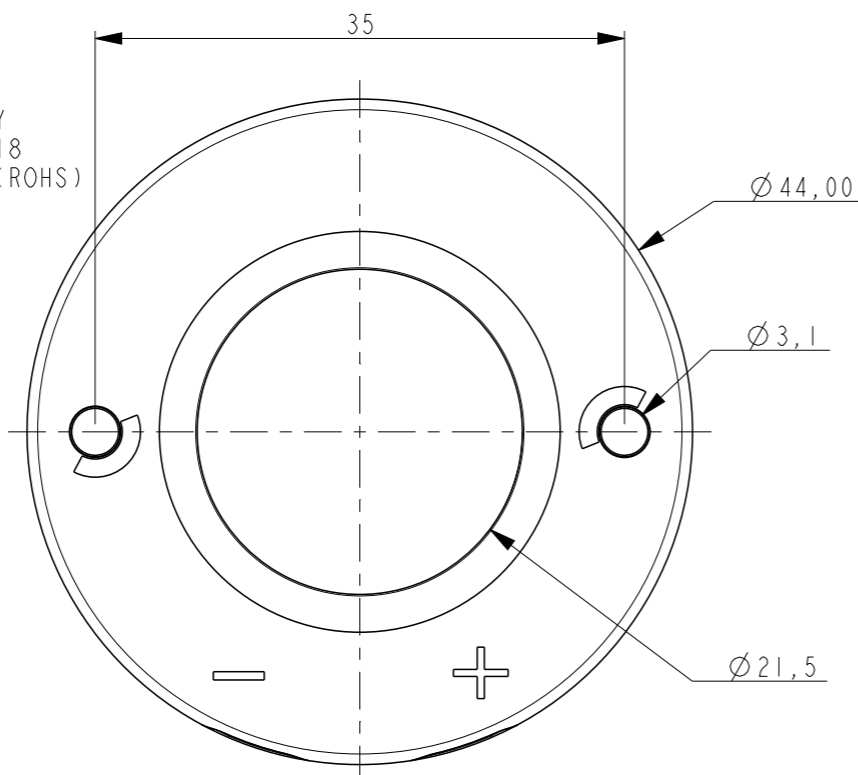
REVISIONS

P	LTR	DESCRIPTION	DATE	DWN	APVD
	A	RELEASED PER ECR-14-006473	01MAY2014	AB	OL
	A1	UPDATED PER ECR-14-006733	07MAY2014	AB	OL
	A2	ECR-16-001206	27JAN2016	KR	MvE
	B	ADDED LED TYPES TABLE	03NOV2016	RK	MvE

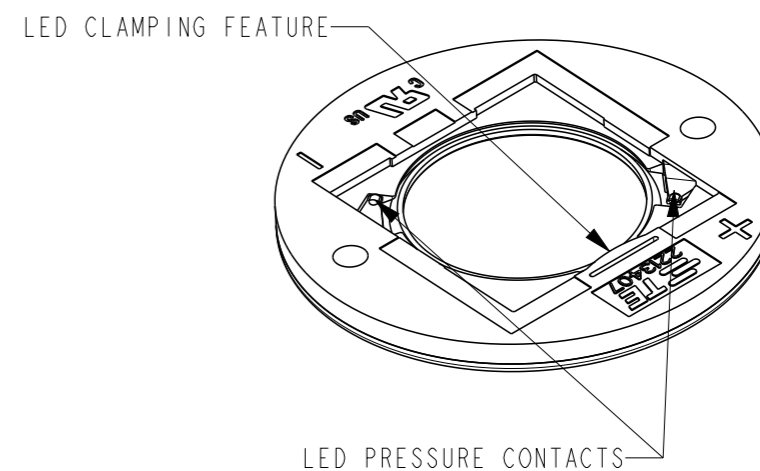
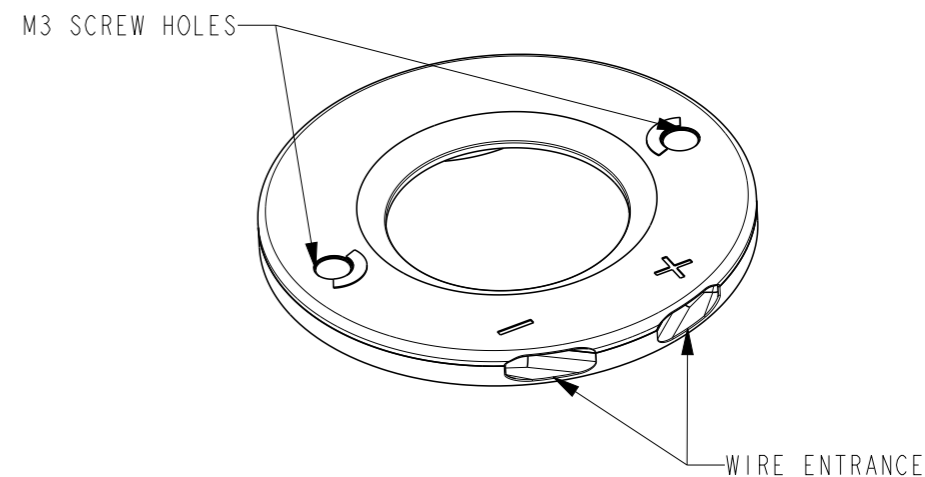
NOTES:

1. MATERIALS:
HOUSING: GLASS FILLED PBT
COLOR : NATURAL/WHITE
CONTACTS: SILVER PLATED COPPER ALLOY
2. FOR SOLID AND STRANDED WIRE AWG 22-18
3. COMPLIES WITH DIRECTIVE 2002/95/EC (ROHS)
4. M3 SCREW TO BE USED FOR MOUNTING

5. DATE CODE YY-WW-D ANY WHERE EXCEPT OVER LOGO OR +/- SIGN.



2213407-1 AS SHOWN
LUMAWISE LED HOLDER Z50 LOW PROFILE



LUMAWISE LED HOLDER Z50 STANDARD PROFILE 2424	2213407-2
LUMAWISE LED HOLDER Z50 LOW PROFILE 2424	2213407-1
DESCRIPTION	PART NO

THIS DRAWING IS A CONTROLLED DOCUMENT.

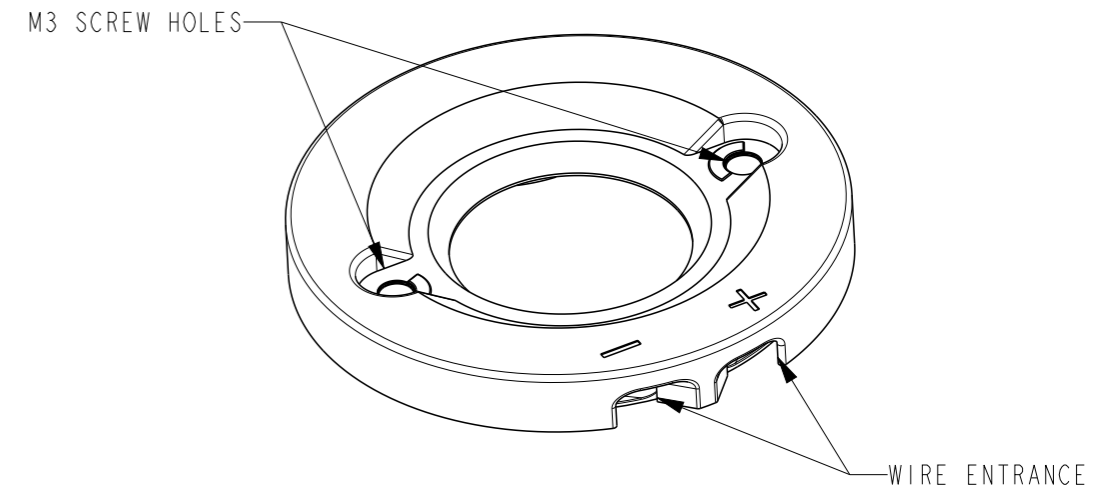
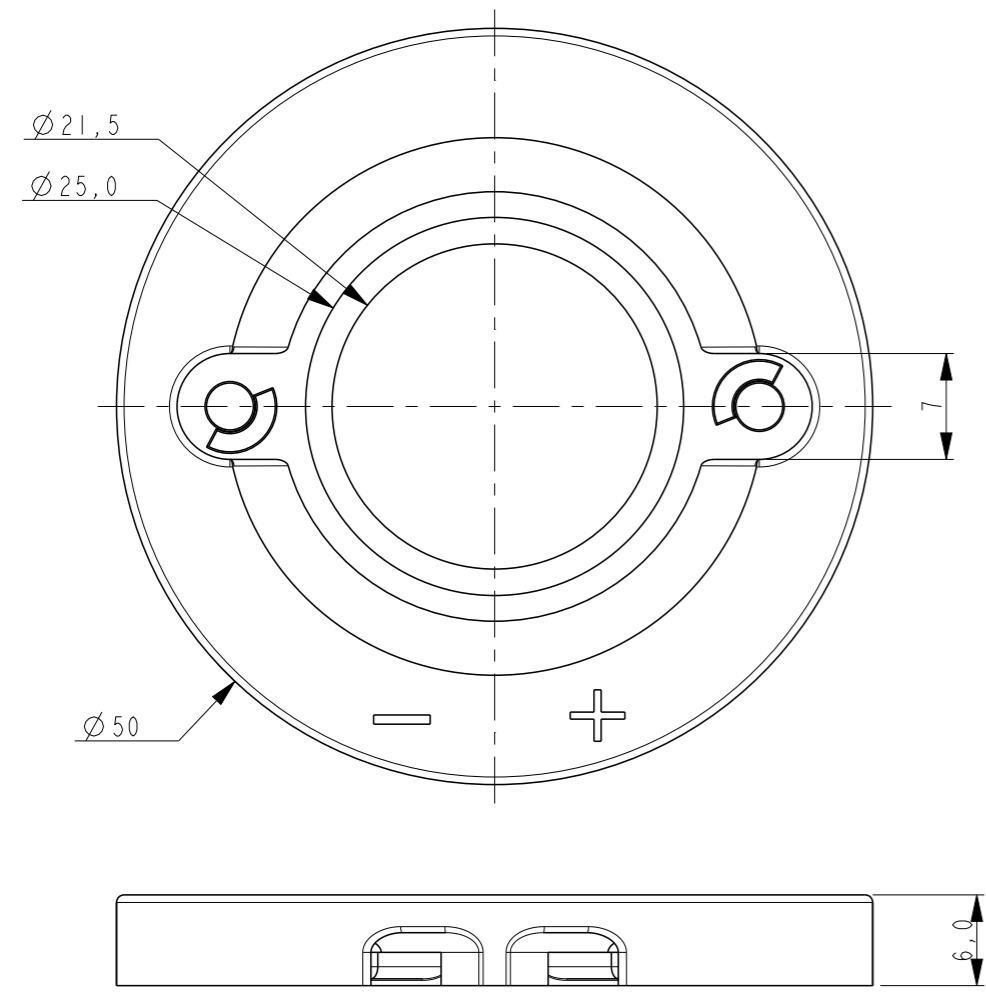
DIMENSIONS:	TOLERANCES UNLESS OTHERWISE SPECIFIED:
mm	
	0 PLC ±-
	1 PLC ±-
	2 PLC ±-
	3 PLC ±-
	4 PLC ±-
	ANGLES ±-
MATERIAL	FINISH
-	-
-	-

DWN	P. POORTER	18NOV2013
CHK	O. LEIJNSE	19NOV2013
APVD	O. LEIJNSE	-
PRODUCT SPEC	108-133008	
APPLICATION SPEC	114-32048	
WEIGHT	-	
CUSTOMER DRAWING		

STE TE Connectivity			
NAME LUMAWISE LED HOLDER Z50 2424			
SIZE	CAGE CODE	DRAWING NO	RESTRICTED TO
A3	-	C-2213407	-
SCALE		SHEET	REV
2:1		1 OF 3	B

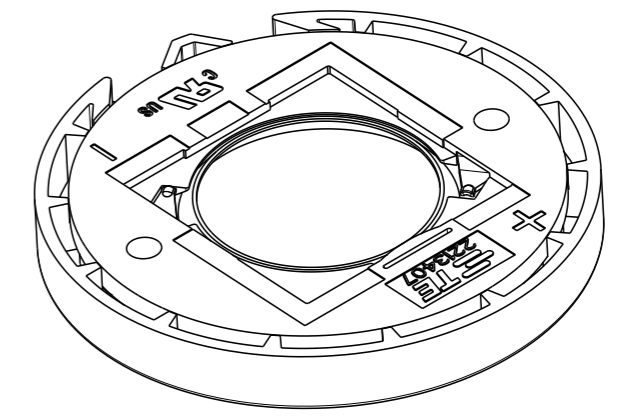
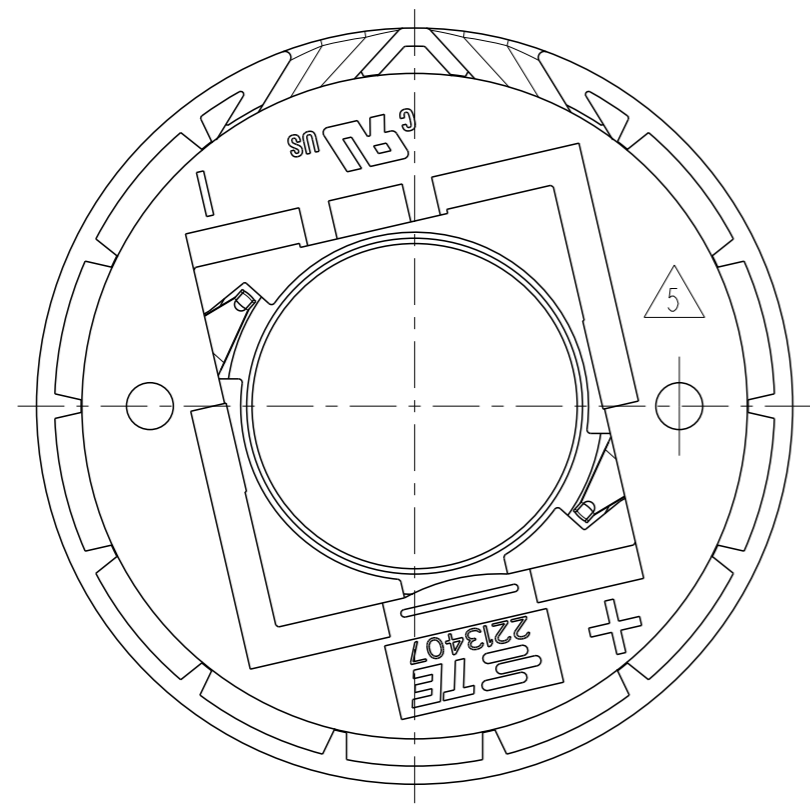
THIS DRAWING IS UNPUBLISHED. RELEASED FOR PUBLICATION 20
 © COPYRIGHT 20 BY - ALL RIGHTS RESERVED.

REVISIONS					
P	LTR	DESCRIPTION	DATE	DWN	APVD
	-	SEE SHEET 1	-	-	-



2213407-2 AS SHOWN
 LUMAWISE LED HOLDER Z50 STANDARD PROFILE

SCALE 3:2



THIS DRAWING IS A CONTROLLED DOCUMENT.		DWN P. POORTER 18NOV2013	TE Connectivity		
DIMENSIONS: mm		CHK O. LEIJNSE 19NOV2013			
TOLERANCES UNLESS OTHERWISE SPECIFIED:		APVD O. LEIJNSE	NAME LUMAWISE LED HOLDER Z50 2424		
0 PLC ±-		PRODUCT SPEC 108-133008	SIZE A3	CAGE CODE -	DRAWING NO C-2213407
1 PLC ±-		APPLICATION SPEC 114-32048	RESTRICTED TO -		
2 PLC ±-		WEIGHT -	SCALE 2:1		
3 PLC ±-		CUSTOMER DRAWING	SHEET 2 OF 3		
4 PLC ±-			REV B		
ANGLES ±-					
FINISH -					
MATERIAL -					

4

3

2

1

THIS DRAWING IS UNPUBLISHED.

RELEASED FOR PUBLICATION

20

© COPYRIGHT 20

BY -

ALL RIGHTS RESERVED.

REVISIONS

P	LTR	DESCRIPTION	DATE	DWN	APVD
	-	SEE SHEET 1	-	-	-

THE SKETCH BELOW IS SHOWING THE NOMINAL LED COB DIMENSIONS TO MATCH WITH THE Z50 LED HOLDER 2424 FOR TECHNICAL DETAILS ABOUT A PROPER MATCH WITH A SPECIFIC LED COB ARRAY PLEASE CONTACT A REPRESENTATIVE AT TE-CONNECTIVITY

CONTACT POINT

Ø 20,5

24

18,65

18,65

24

0.95 - 1.15

SCALE 4:1

FOLLOWING LED TYPES ARE RELEASED FOR THIS HOLDER	DATA SHEET
Cree CXA 25xx	CLD-DS67
Cree CXB 2540	CLD-DS123
Osram s19	GWKAHQB2.EM

THIS DRAWING IS A CONTROLLED DOCUMENT.

DWN P. POORTER 18NOV2013

CHK O. LEIJNSE 19NOV2013

APVD O. LEIJNSE -

PRODUCT SPEC

108-133008

APPLICATION SPEC

114-32048

WEIGHT -

CUSTOMER DRAWING

TE Connectivity

NAME LUMAWISE LED HOLDER Z50 2424

SIZE	CAGE CODE	DRAWING NO	RESTRICTED TO
A3	-	C-2213407	-

SCALE 2:1	SHEET 3 OF 3	REV B
-----------	--------------	-------

DIMENSIONS:

mm

TOLERANCES UNLESS OTHERWISE SPECIFIED:

0 PLC	±-
1 PLC	±-
2 PLC	±-
3 PLC	±-
4 PLC	±-
ANGLES	±-

MATERIAL

-

FINISH

-

1470-19 (3/13)