



Chipsmall Limited consists of a professional team with an average of over 10 year of expertise in the distribution of electronic components. Based in Hongkong, we have already established firm and mutual-benefit business relationships with customers from,Europe,America and south Asia,supplying obsolete and hard-to-find components to meet their specific needs.

With the principle of “Quality Parts,Customers Priority,Honest Operation,and Considerate Service”,our business mainly focus on the distribution of electronic components. Line cards we deal with include Microchip,ALPS,ROHM,Xilinx,Pulse,ON,Everlight and Freescale. Main products comprise IC,Modules,Potentiometer,IC Socket,Relay,Connector.Our parts cover such applications as commercial,industrial, and automotives areas.

We are looking forward to setting up business relationship with you and hope to provide you with the best service and solution. Let us make a better world for our industry!



Contact us

Tel: +86-755-8981 8866 Fax: +86-755-8427 6832

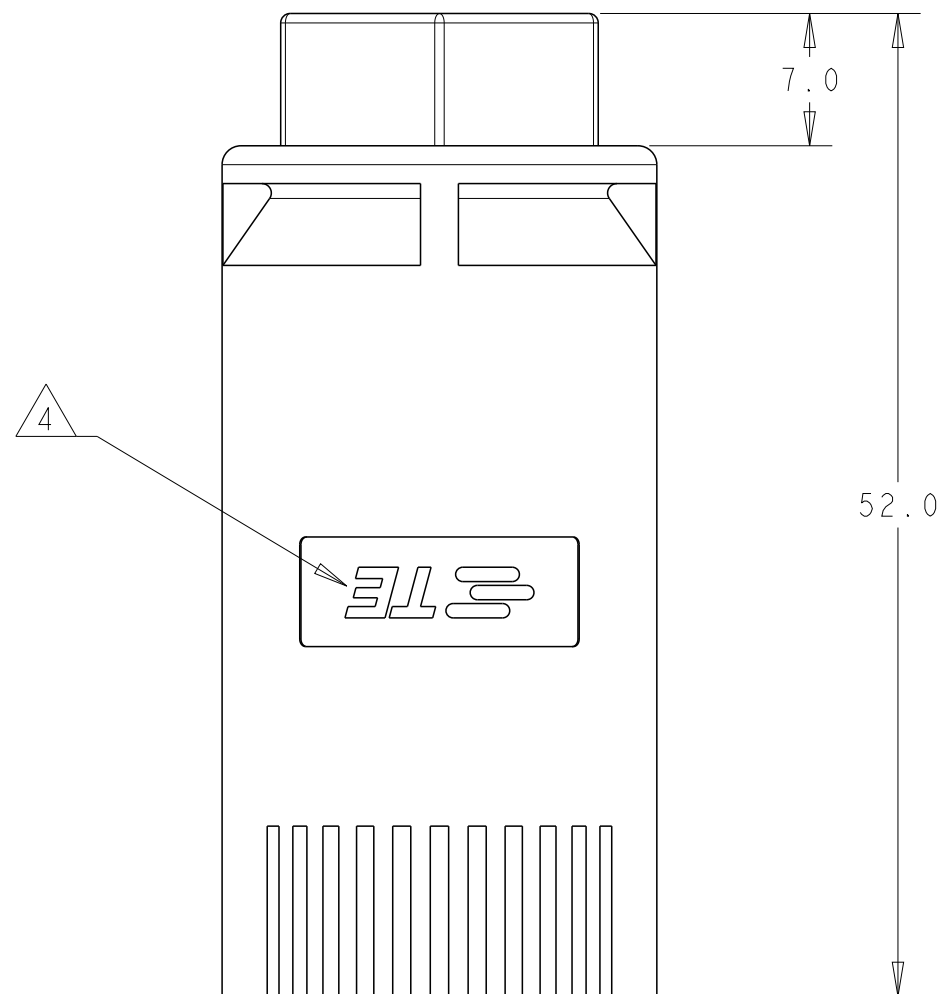
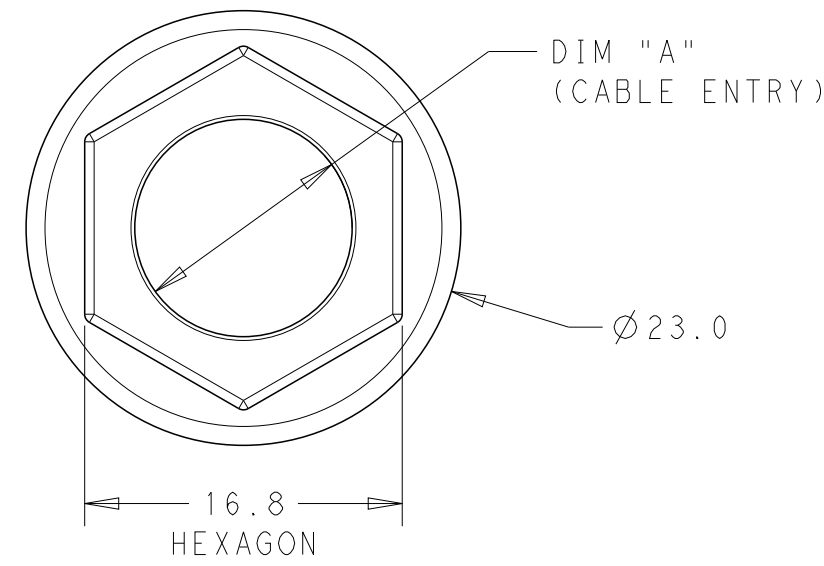
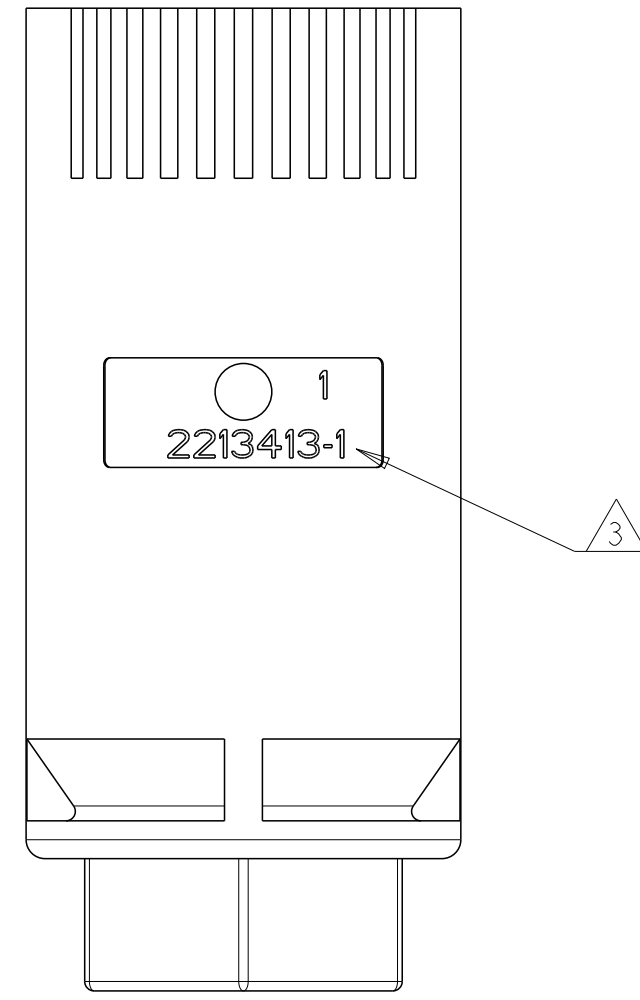
Email & Skype: info@chipsmall.com Web: www.chipsmall.com

Address: A1208, Overseas Decoration Building, #122 Zhenhua RD., Futian, Shenzhen, China



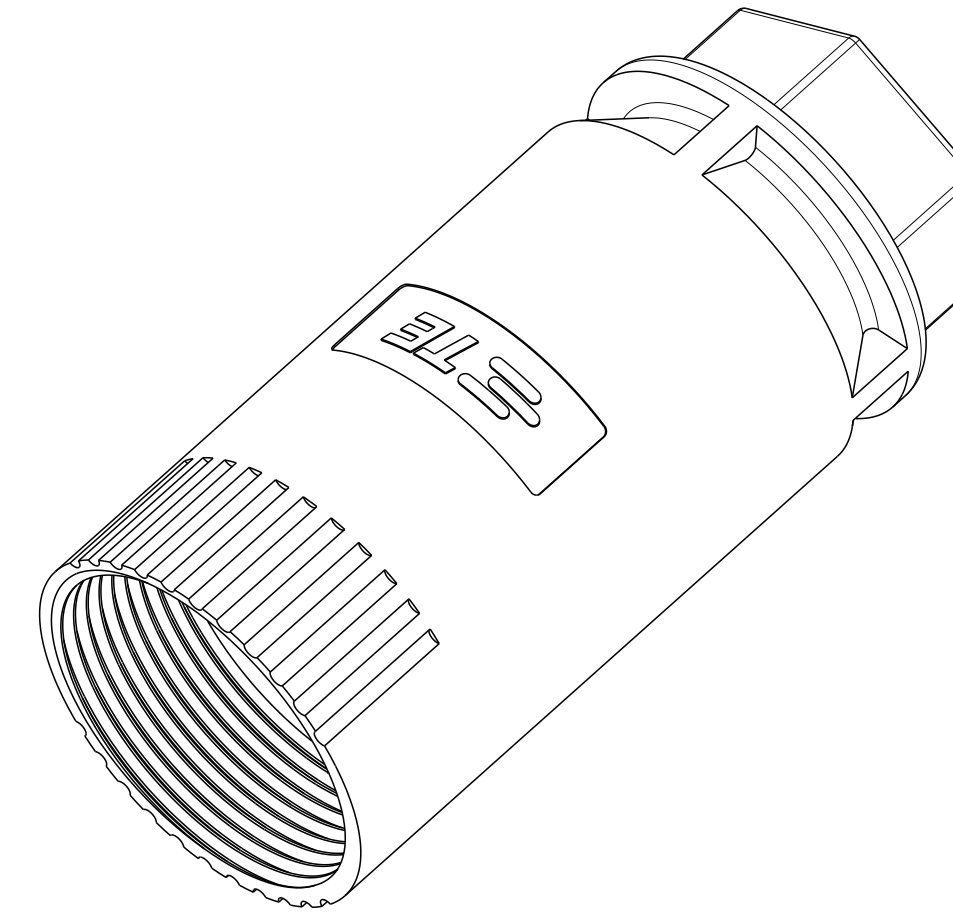
THIS DRAWING IS UNPUBLISHED. RELEASED FOR PUBLICATION 20
 © COPYRIGHT 20 BY - ALL RIGHTS RESERVED.

REVISIONS				
P	LTR	DESCRIPTION	DATE	APVD
A		ECR-15-002641	17FEB2015	KR JL



NOTES:

- 1. MATERIAL: GLASS FILLED PBT, COLOR: BLACK
- 2. MUST COMPLY WITH DIRECTIVE 2002/95/EC (ROHS)
- △3 TE PART NUMBER
- △4 TE LOGO
- 5. THIS PRODUCT HAS NOT COMPLETED VALIDATION TESTING



11mm - 14mm	14.5	2213413-2
8mm - 11mm	11.5	2213413-1
CABLE DIA RANGE	DIA "A"	PART NO.

THIS DRAWING IS A CONTROLLED DOCUMENT.		DWN J. SHAFFER 21MAR2014	STE TE Connectivity	
DIMENSIONS: mm		CHK M. LUKSIC 21MAR2014		
TOLERANCES UNLESS OTHERWISE SPECIFIED:		APVD M. LUKSIC 21MAR2014	NAME RING NUT, 3 POSITION SEALED, NECTOR M	
0 PLC ±	1 PLC ±0.2	PRODUCT SPEC 108-133014	SIZE A2	RESTRICTED TO -
2 PLC ±0.13	3 PLC ±	APPLICATION SPEC 114-32111	CAGE CODE -	DRAWING NO C-2213413
4 PLC ±	ANGLES ±3°	WEIGHT -	SCALE 1:1	SHEET 1 OF 1
MATERIAL TBD	FINISH -	Customer Drawing	REV A	