



Chipsmall Limited consists of a professional team with an average of over 10 year of expertise in the distribution of electronic components. Based in Hongkong, we have already established firm and mutual-benefit business relationships with customers from,Europe,America and south Asia,supplying obsolete and hard-to-find components to meet their specific needs.

With the principle of "Quality Parts,Customers Priority,Honest Operation,and Considerate Service",our business mainly focus on the distribution of electronic components. Line cards we deal with include Microchip,ALPS,ROHM,Xilinx,Pulse,ON,Everlight and Freescale. Main products comprise IC,Modules,Potentiometer,IC Socket,Relay,Connector.Our parts cover such applications as commercial,industrial, and automotives areas.

We are looking forward to setting up business relationship with you and hope to provide you with the best service and solution. Let us make a better world for our industry!



Contact us

Tel: +86-755-8981 8866 Fax: +86-755-8427 6832

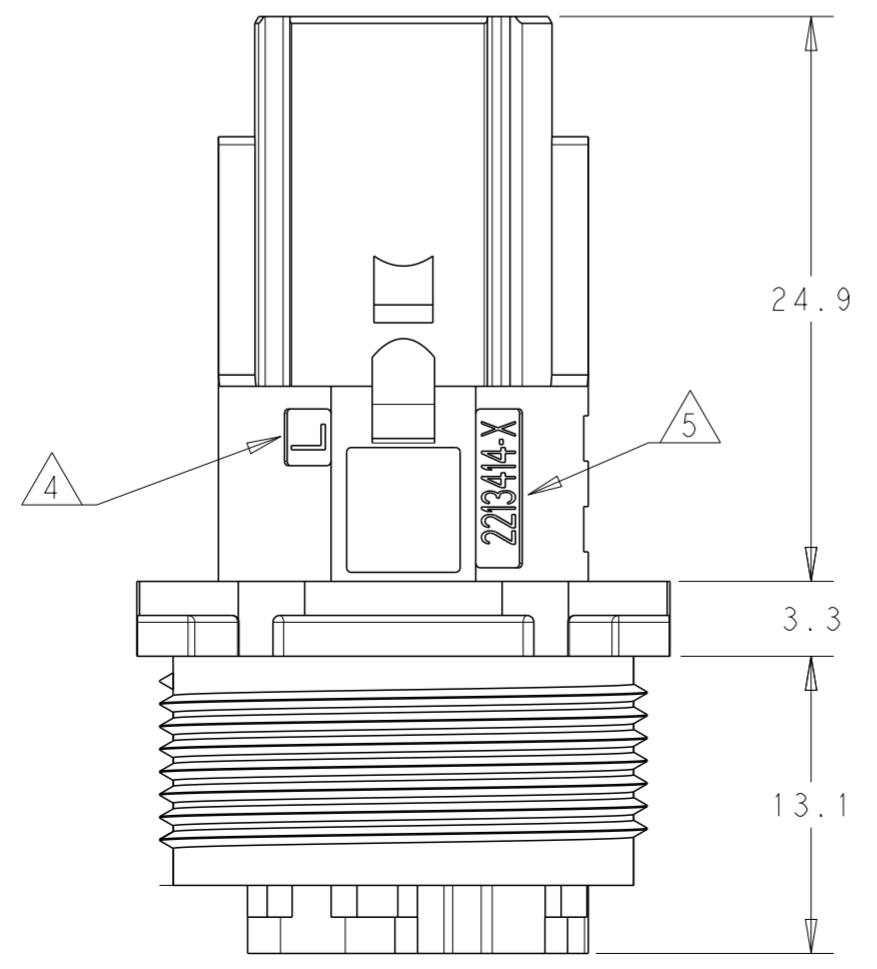
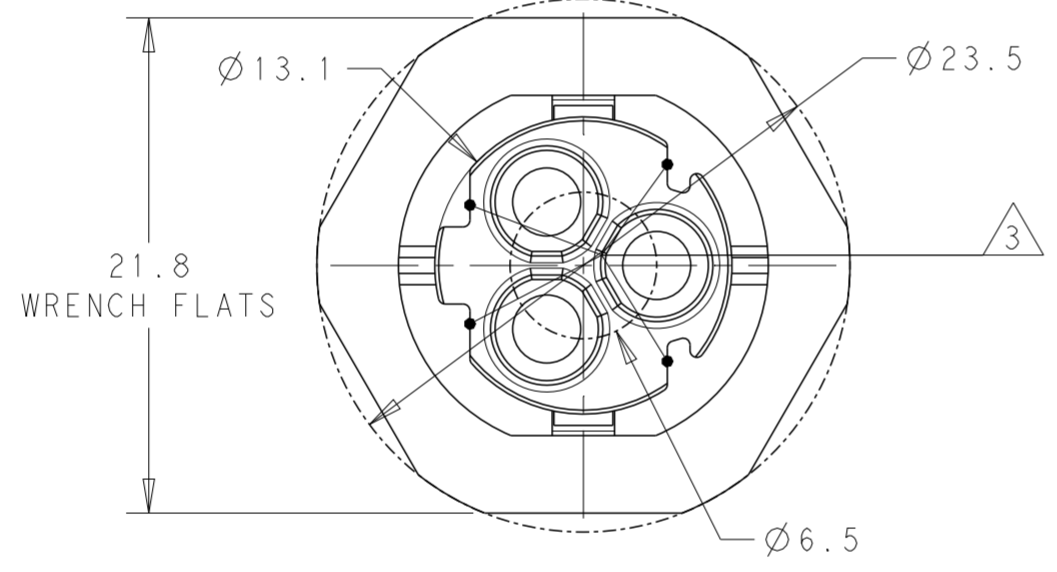
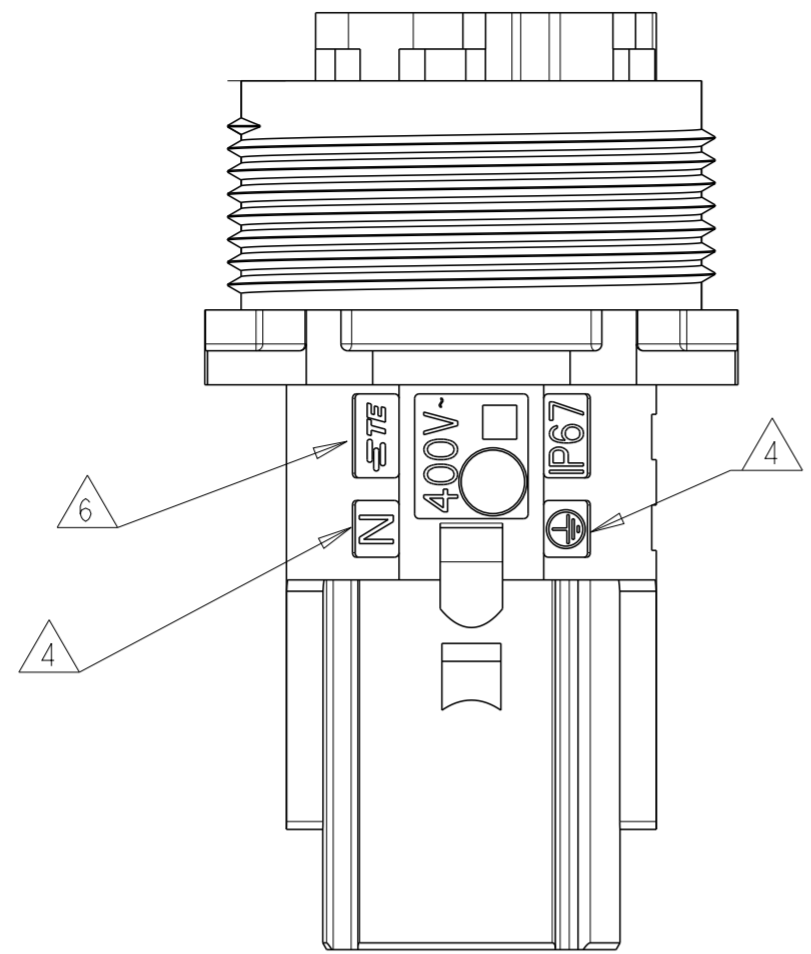
Email & Skype: info@chipsmall.com Web: www.chipsmall.com

Address: A1208, Overseas Decoration Building, #122 Zhenhua RD., Futian, Shenzhen, China



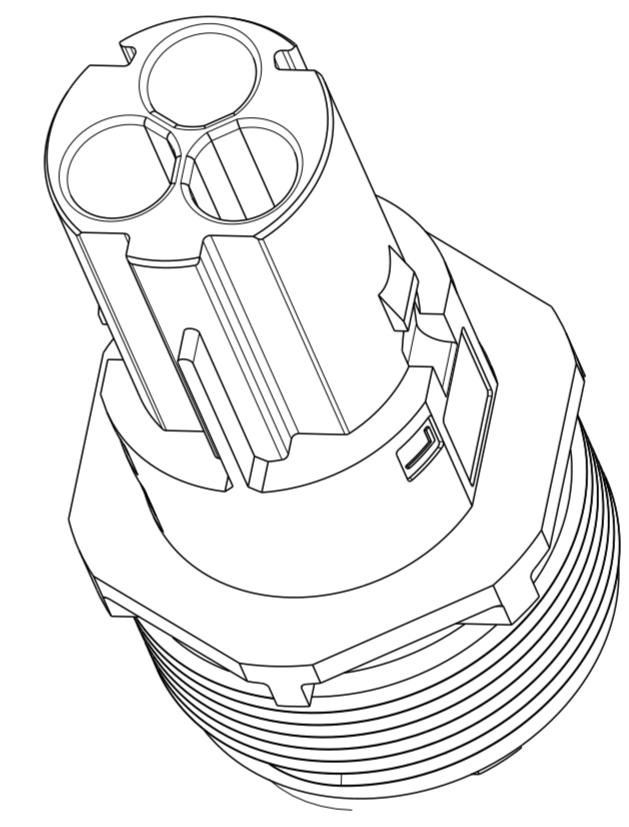
THIS DRAWING IS UNPUBLISHED. RELEASED FOR PUBLICATION 20
 © COPYRIGHT 20 BY - ALL RIGHTS RESERVED.

REVISIONS					
P	LTR	DESCRIPTION	DATE	DWN	APVD
A		REVISED AS PER ECR-15-005925	21APR2015	RS	JL
A1		REVISED AS PER ECR-15-012095	20AUG2015	RS	JL



NOTES:

- 1. MATERIAL: GLASS FILLED PBT, COLOR: BLACK
- 2. MUST COMPLY WITH DIRECTIVE 2002/95/EC (ROHS)
- 3. ALL POLARIZATION KEYS SHOWN FOR REF ONLY.
- 4. CIRCUIT I.D.
- 5. TE PART NUMBER
- 6. TE LOGO
- 7. THIS PRODUCT HAS NOT COMPLETED VALIDATION TESTING

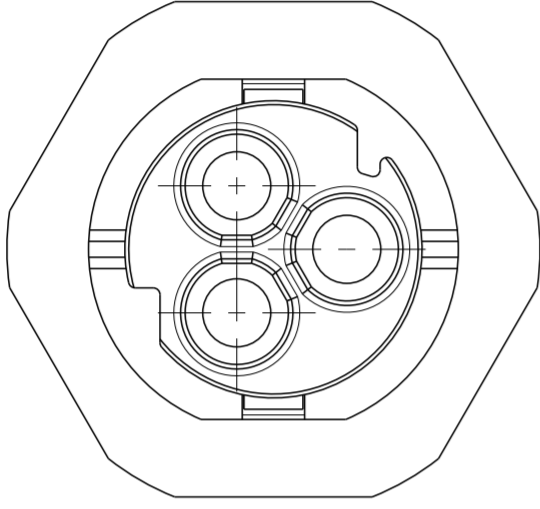
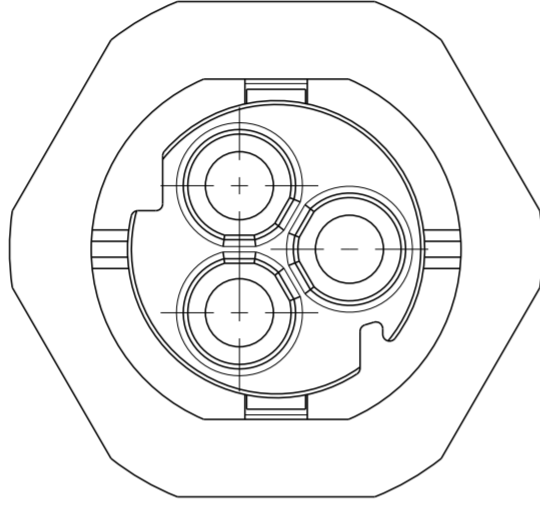
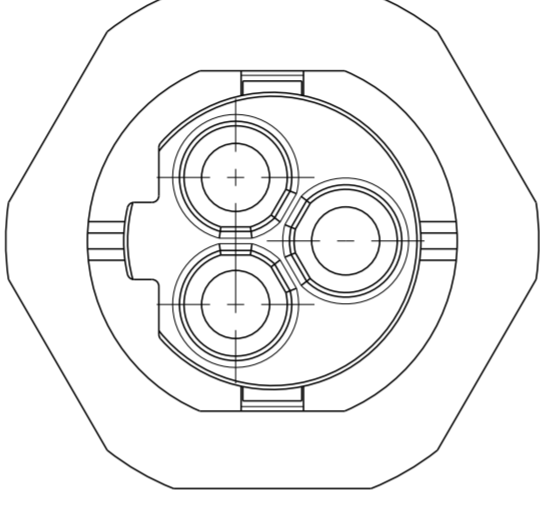



C	FREE HANGING PIN HOUSING SEALED NECTOR M 3 POSN	2213414-3
B	FREE HANGING PIN HOUSING SEALED NECTOR M 3 POSN	2213414-2
A	FREE HANGING PIN HOUSING SEALED NECTOR M 3 POSN	2213414-1
POLAZATION TYPE	DESCRIPTION	P/N

THIS DRAWING IS A CONTROLLED DOCUMENT.		DWN RAVI.S 16OCT2013	STE TE Connectivity	
		CHK L.MAREK 16OCT2013		
		APVD L.MAREK 16OCT2013	NAME HOUSING, PIN, FREE-HANGING NECTOR M-LINE; 3 POLE	
DIMENSIONS: mm		TOLERANCES UNLESS OTHERWISE SPECIFIED:	PRODUCT SPEC 108-133014	
<ul style="list-style-type: none"> 0 PLC ± 1 PLC ±0.2 2 PLC ±0.13 3 PLC ± 4 PLC ± ANGLES ±3° FINISH 		APPLICATION SPEC 114-32111	SCALE 4:1	
MATERIAL -		WEIGHT -	SIZE A2	CAGE CODE -
		Customer Drawing	DRAWING NO C-2213414	RESTRICTED TO -
			SHEET 1 OF 2	REV A1

THIS DRAWING IS UNPUBLISHED. RELEASED FOR PUBLICATION 20
 © COPYRIGHT 20 BY - ALL RIGHTS RESERVED.

REVISIONS				
P	LTR	DESCRIPTION	DATE	APVD
-	-	SEE SHEET 1	-	-

POLARIZATION TYPES		
POLARIZATION TYPE "A"	POLARIZATION TYPE "B"	POLARIZATION TYPE "C"
		
PN 2213414-1	PN 2213414-2	PN 2213414-3

THIS DRAWING IS A CONTROLLED DOCUMENT.		DWN RAVI.S 16OCT2013	 TE Connectivity	
DIMENSIONS: mm		CHK L.MAREK 16OCT2013		
TOLERANCES UNLESS OTHERWISE SPECIFIED:		APVD L.MAREK 16OCT2013	NAME HOUSING, PIN, FREE-HANGING NECTOR M-LINE; 3 POLE	
0 PLC ±-		PRODUCT SPEC 108-133014	RESTRICTED TO	
1 PLC ±0.2		APPLICATION SPEC 114-32111	SIZE A2	CAGE CODE -
2 PLC ±0.13		WEIGHT -	DRAWING NO C-2213414	
3 PLC ±-		Customer Drawing	SCALE 3:1	SHEET 2 OF 2
4 PLC ±-			REV A1	
ANGLES ±3°				
FINISH				