



Chipsmall Limited consists of a professional team with an average of over 10 year of expertise in the distribution of electronic components. Based in Hongkong, we have already established firm and mutual-benefit business relationships with customers from,Europe,America and south Asia,supplying obsolete and hard-to-find components to meet their specific needs.

With the principle of “Quality Parts,Customers Priority,Honest Operation,and Considerate Service”,our business mainly focus on the distribution of electronic components. Line cards we deal with include Microchip,ALPS,ROHM,Xilinx,Pulse,ON,Everlight and Freescale. Main products comprise IC,Modules,Potentiometer,IC Socket,Relay,Connector.Our parts cover such applications as commercial,industrial, and automotives areas.

We are looking forward to setting up business relationship with you and hope to provide you with the best service and solution. Let us make a better world for our industry!



## Contact us

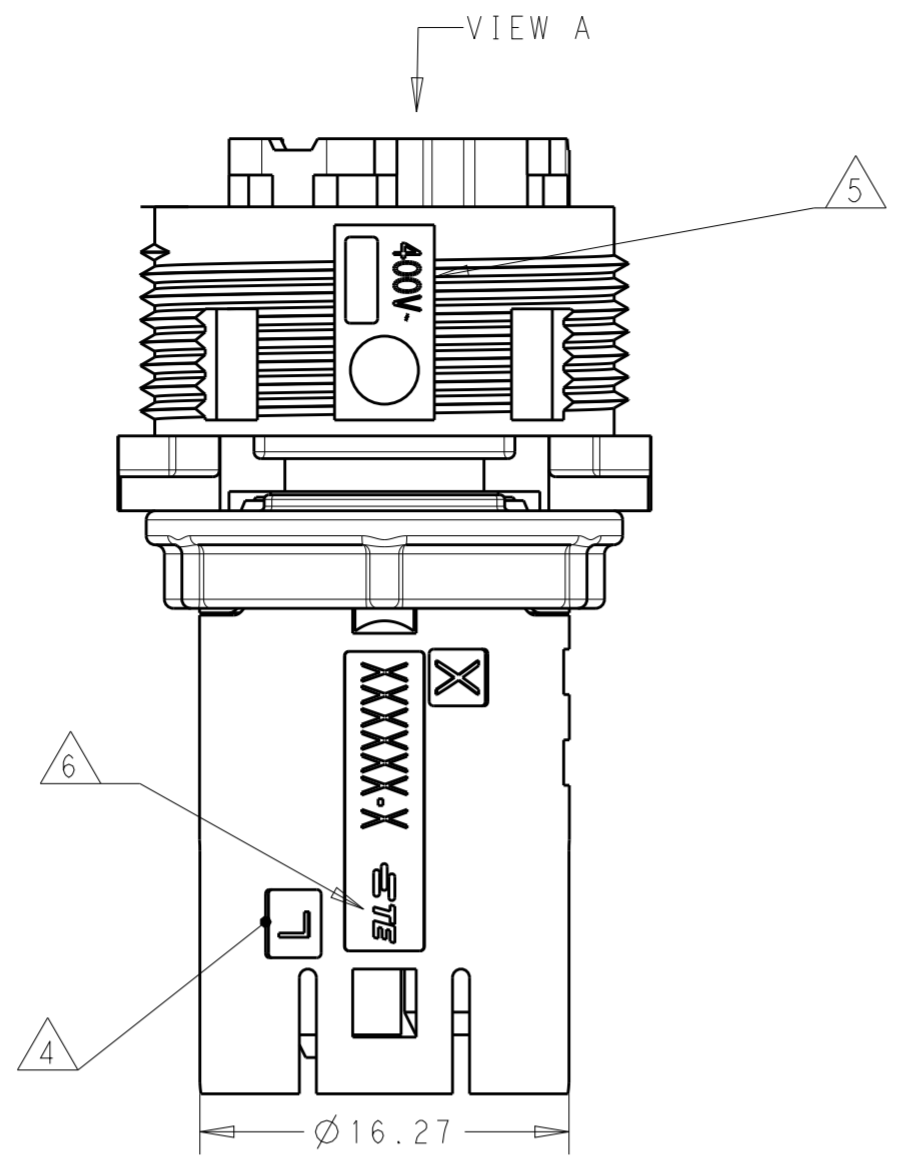
Tel: +86-755-8981 8866 Fax: +86-755-8427 6832

Email & Skype: info@chipsmall.com Web: www.chipsmall.com

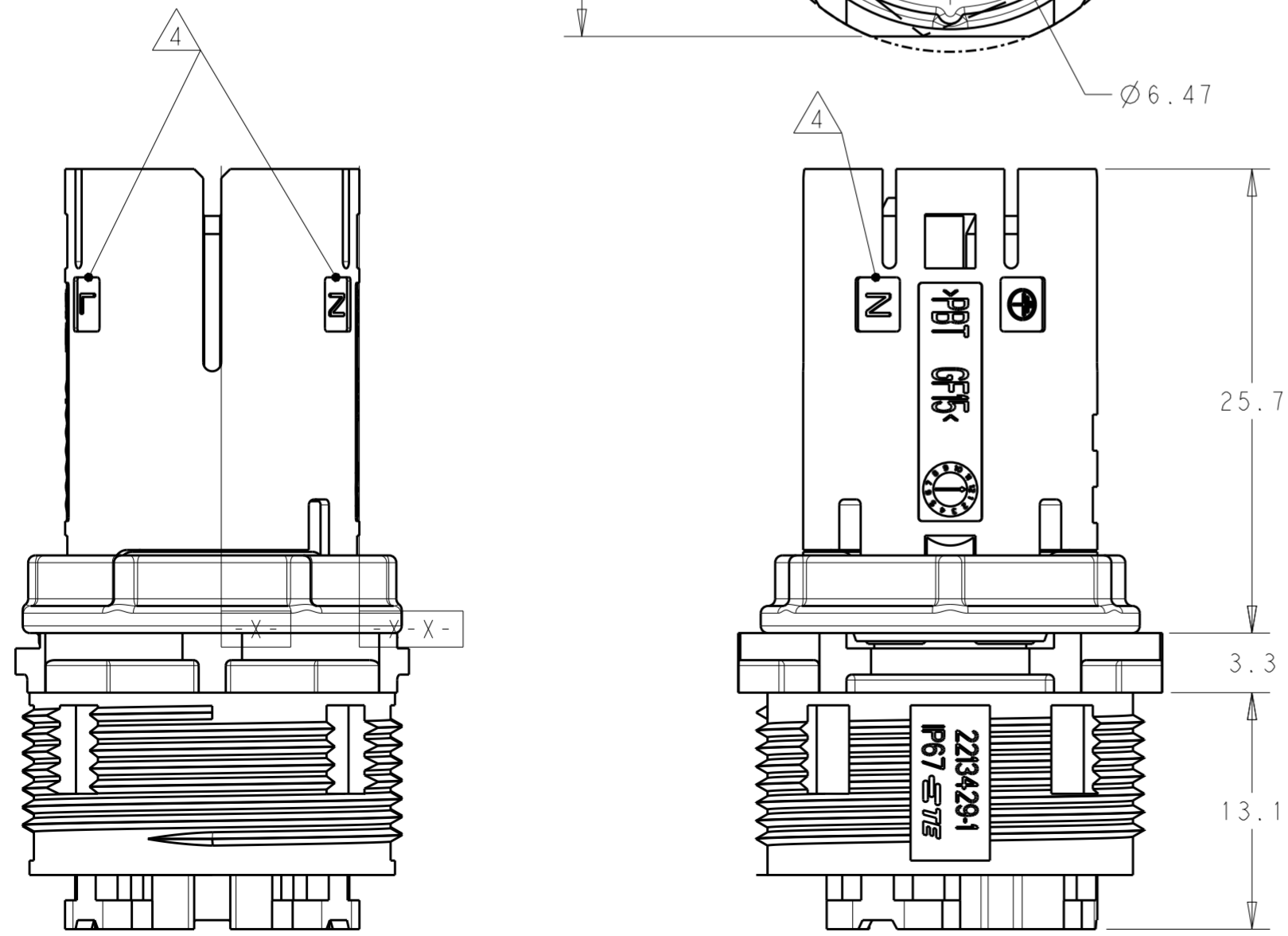
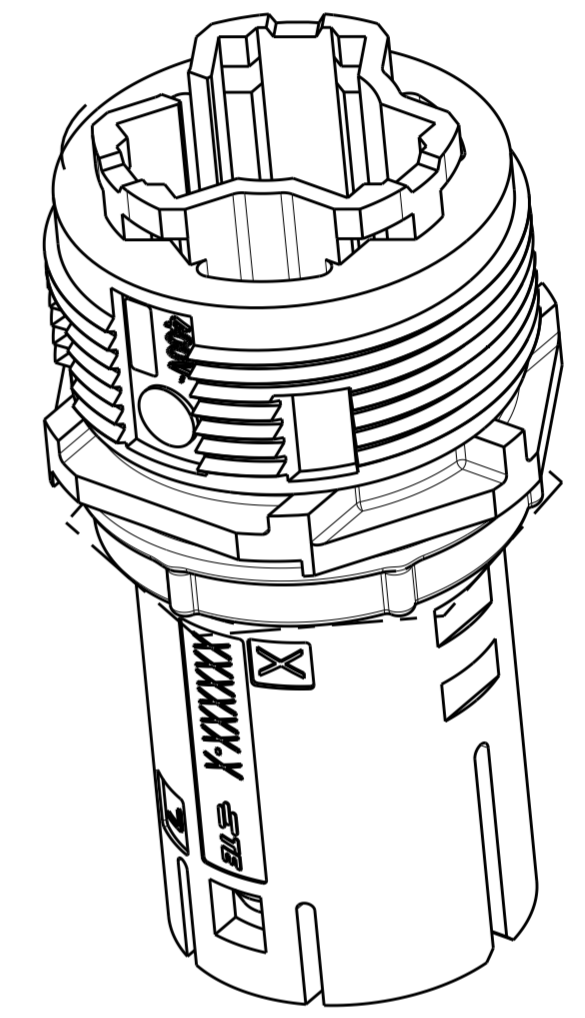
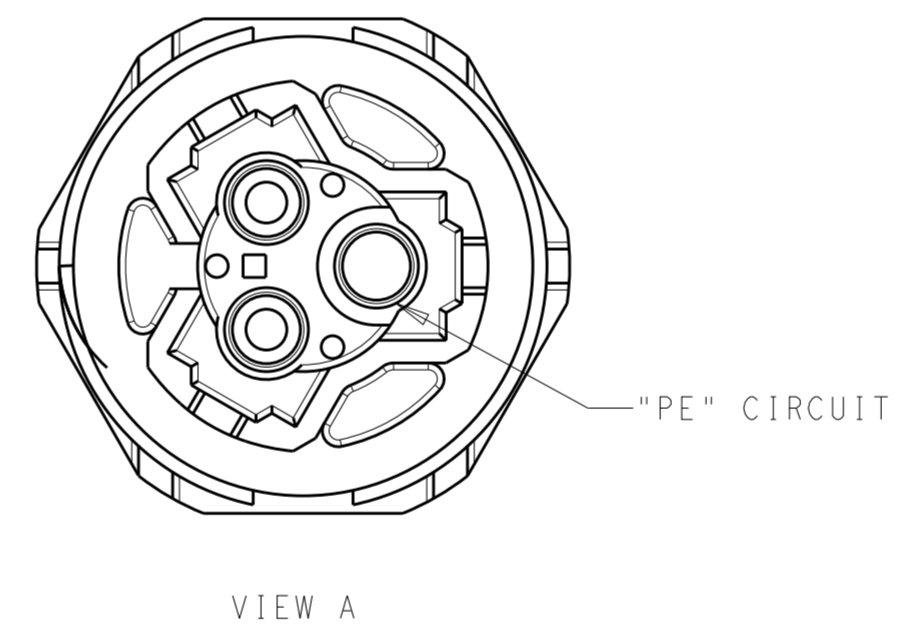
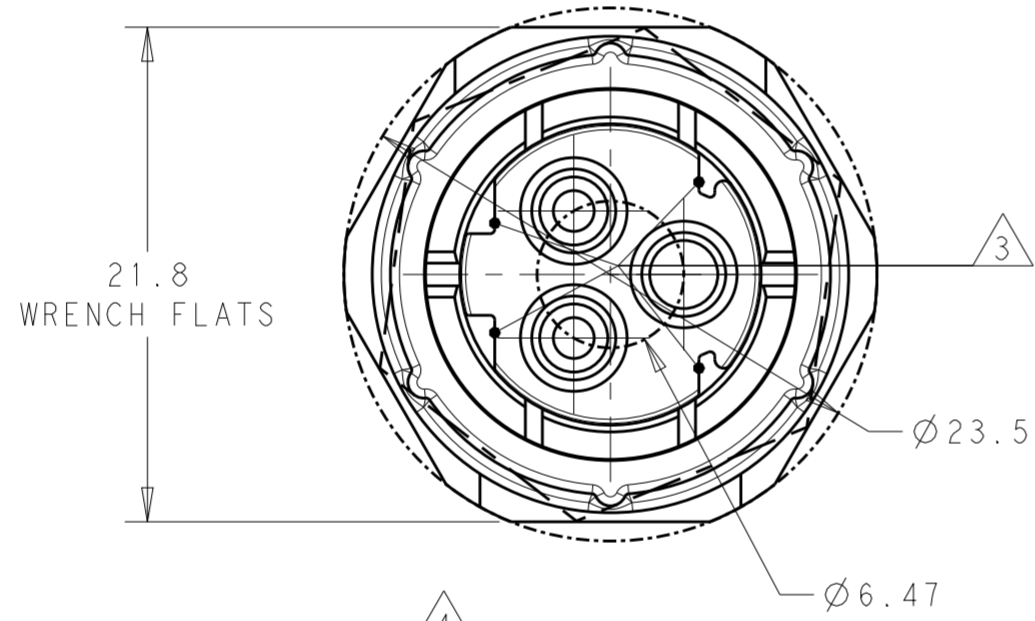
Address: A1208, Overseas Decoration Building, #122 Zhenhua RD., Futian, Shenzhen, China



REVISIONS				
P	LTR	DESCRIPTION	DATE	APVD
	A	REVISED AS PER ECR-15-005925	21APR2015	RS JL



- NOTES:
1. MATERIAL: GLASS FILLED PBT, COLOR: BLACK
  2. MUST COMPLY WITH DIRECTIVE 2002/95/EC (ROHS)
  3. ALL POLARIZATION KEYS SHOWN FOR REF ONLY.
  4. CIRCUIT I.D.
  5. VOLTAGE RATING
  6. TE LOGO
  7. THIS PRODUCT HAS NOT COMPLETED VALIDATION TESTING

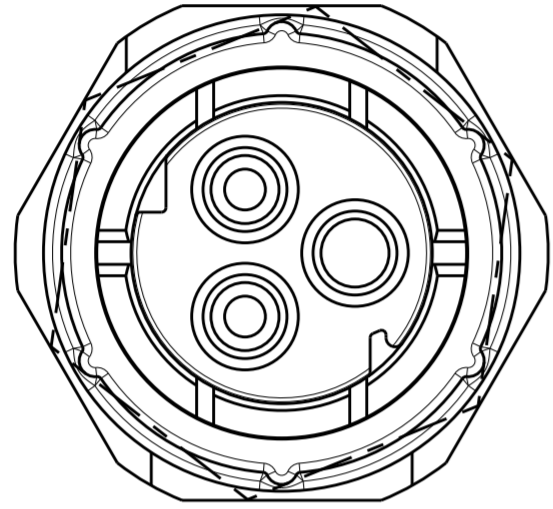
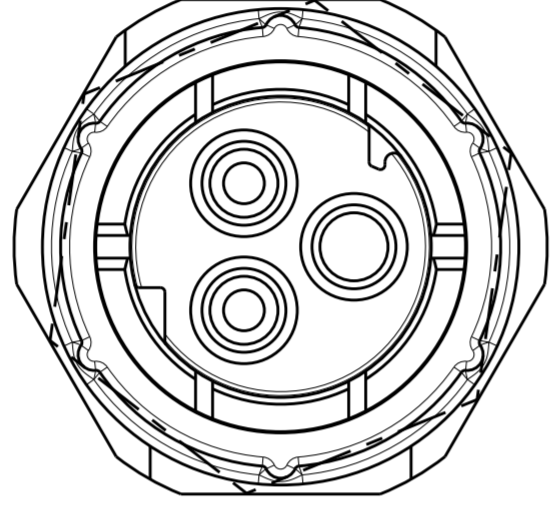
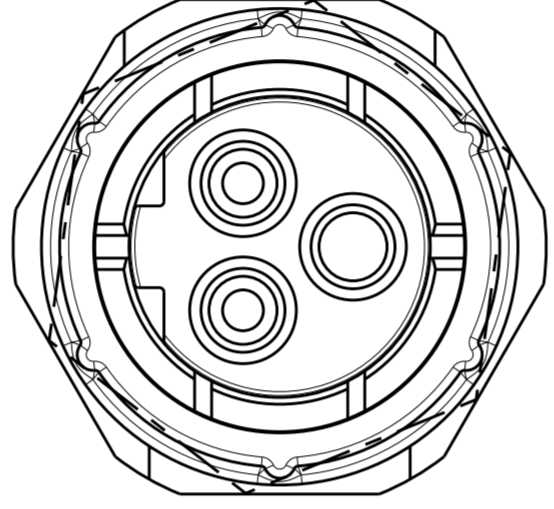



C	FREE HANGING SOCKET SEALED NECTOR 3 POSITION	2213428-3
B	FREE HANGING SOCKET SEALED NECTOR 3 POSITION	2213428-2
A	FREE HANGING SOCKET SEALED NECTOR 3 POSITION	2213428-1
POLARIZATION TYPE	DESCRIPTION	PART NUMBER

DIMENSIONS:		TOLERANCES UNLESS OTHERWISE SPECIFIED:		DWN		APVD	
mm	0 PLC	±	24MAR2014	J. SHAFFER	24MAR2014	NAME	
	1 PLC	±0.2	24MAR2014	M. LUKSIC	24MAR2014	FREE HANGING, SOCKET SEALED NECTOR M 3 POSN	
	2 PLC	±0.13	24MAR2014	M. LUKSIC	24MAR2014	SIZE	CAGE CODE
	3 PLC	±	24MAR2014	M. LUKSIC	24MAR2014	A2	-
	4 PLC	±	24MAR2014	M. LUKSIC	24MAR2014	DRAWING NO	RESTRICTED TO
	ANGLES	±3°	24MAR2014	M. LUKSIC	24MAR2014	114-32111	-
	FINISH	-	24MAR2014	M. LUKSIC	24MAR2014	WEIGHT	-
MATERIAL	TBD	-	24MAR2014	M. LUKSIC	24MAR2014	Customer Drawing	SCALE
	-	-	24MAR2014	M. LUKSIC	24MAR2014	2:1	SHEET
			24MAR2014	M. LUKSIC	24MAR2014	1	OF
			24MAR2014	M. LUKSIC	24MAR2014	2	REV
			24MAR2014	M. LUKSIC	24MAR2014	A	

THIS DRAWING IS UNPUBLISHED. RELEASED FOR PUBLICATION 20  
 © COPYRIGHT 20 BY - ALL RIGHTS RESERVED.

REVISIONS				
P	LTR	DESCRIPTION	DATE	APVD
-		SEE SHEET 1	-	-

POLARIZATION TYPES		
POLARIZATION TYPE "A"	POLARIZATION TYPE "B"	POLARIZATION TYPE "C"
		
PN 2213428-1	PN 2213428-2	PN 2213428-3

THIS DRAWING IS A CONTROLLED DOCUMENT.		DWN J. SHAFFER 24MAR2014	 TE Connectivity	
DIMENSIONS: mm		CHK M. LUKSIC 24MAR2014		
TOLERANCES UNLESS OTHERWISE SPECIFIED: 0 PLC ± 1 PLC ±0.2 2 PLC ±0.13 3 PLC ± 4 PLC ± ANGLES ±3° FINISH -		APVD M. LUKSIC 24MAR2014	NAME FREE HANGING, SOCKET SEALED NECTOR M 3 POSN	
MATERIAL TBD		PRODUCT SPEC 108-133014	SIZE A2	CAGE CODE -
		APPLICATION SPEC 114-32111	DRAWING NO G-2213428	RESTRICTED TO -
		WEIGHT -	SCALE 2:1	SHEET 2 OF 2
		Customer Drawing	REV A	