



Chipsmall Limited consists of a professional team with an average of over 10 year of expertise in the distribution of electronic components. Based in Hongkong, we have already established firm and mutual-benefit business relationships with customers from,Europe,America and south Asia,supplying obsolete and hard-to-find components to meet their specific needs.

With the principle of “Quality Parts,Customers Priority,Honest Operation,and Considerate Service”,our business mainly focus on the distribution of electronic components. Line cards we deal with include Microchip,ALPS,ROHM,Xilinx,Pulse,ON,Everlight and Freescale. Main products comprise IC,Modules,Potentiometer,IC Socket,Relay,Connector.Our parts cover such applications as commercial,industrial, and automotives areas.

We are looking forward to setting up business relationship with you and hope to provide you with the best service and solution. Let us make a better world for our industry!



## Contact us

Tel: +86-755-8981 8866 Fax: +86-755-8427 6832

Email & Skype: info@chipsmall.com Web: www.chipsmall.com

Address: A1208, Overseas Decoration Building, #122 Zhenhua RD., Futian, Shenzhen, China

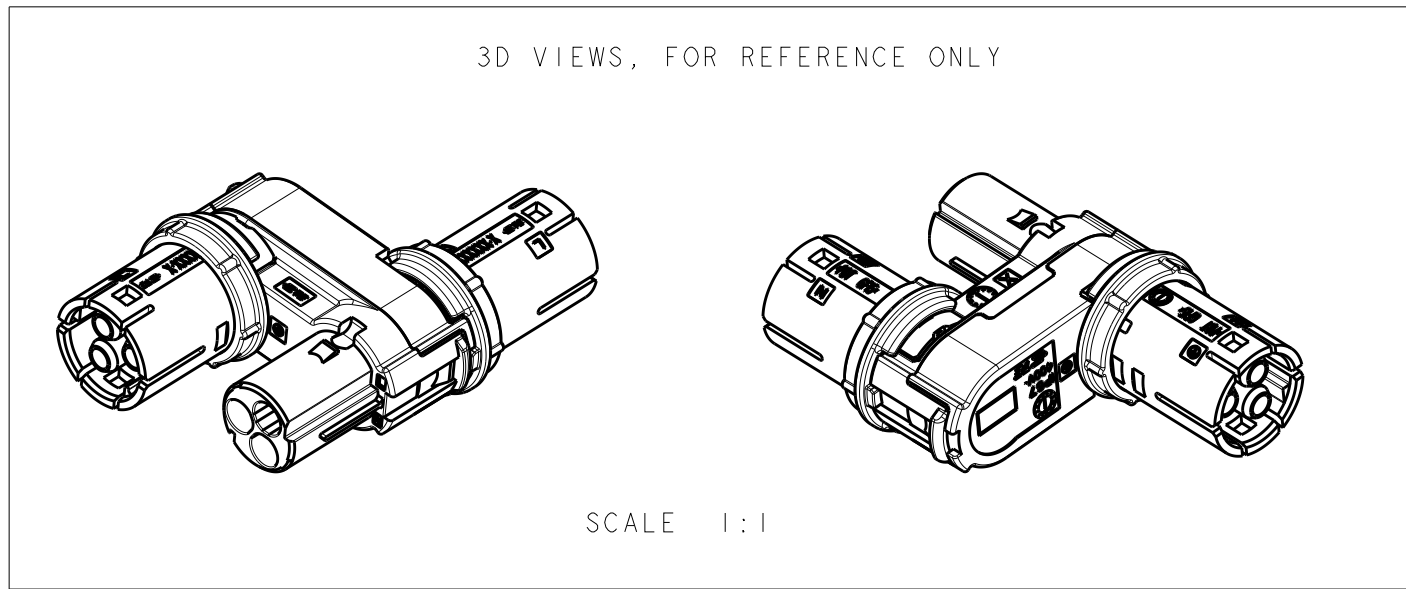
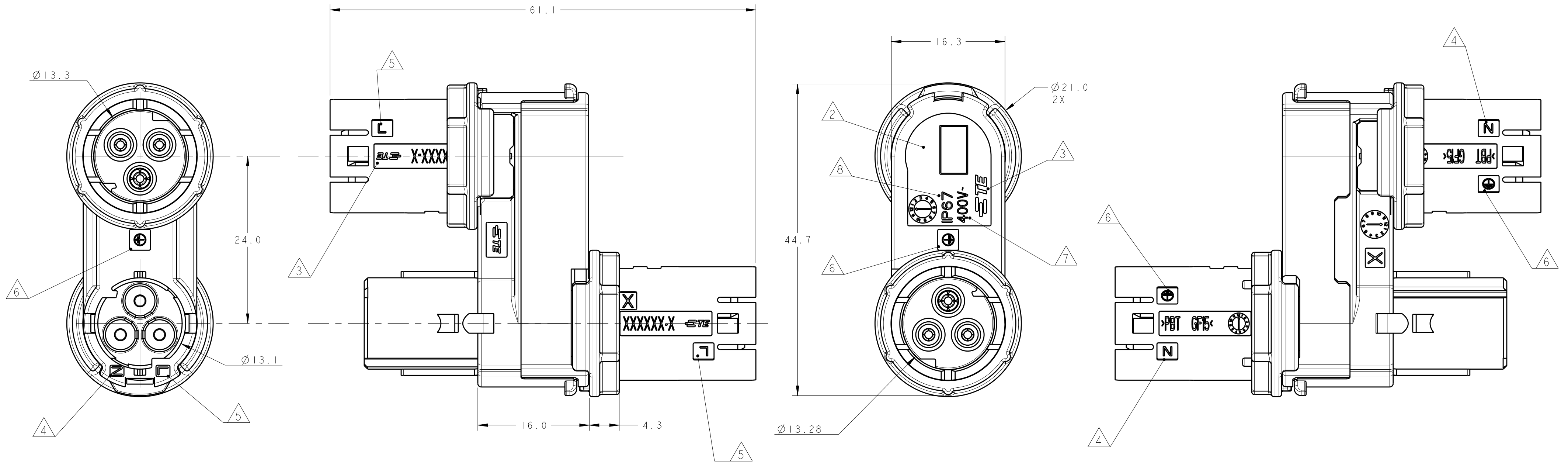


THIS DRAWING IS UNPUBLISHED. RELEASED FOR PUBLICATION 20  
 © COPYRIGHT 20 BY - ALL RIGHTS RESERVED.

LOC		DIST		REVISIONS			
P	LTR	DESCRIPTION	DATE	DWN	APVD		
A		REVISED PER ECR-15-008877	17JUN2015	RS	JL		
B		REVISED PER ECR-15-011756	12AUG2015	RS	JL		

NOTES:

- 1 MATERIAL:  
HOUSING: GF PBT, COLOR: BLACK  
CONTACTS: COPPER ALLOY, FINISH: Sn OVER Ni.
- 2 IP CODE
- 3 TE LOGO
- 4 N CODE
- 5 L CODE
- 6 PE CODE
- 7 RATED VOLTAGE
- 8 AREA FOR AGENCY APPROVAL LOGO

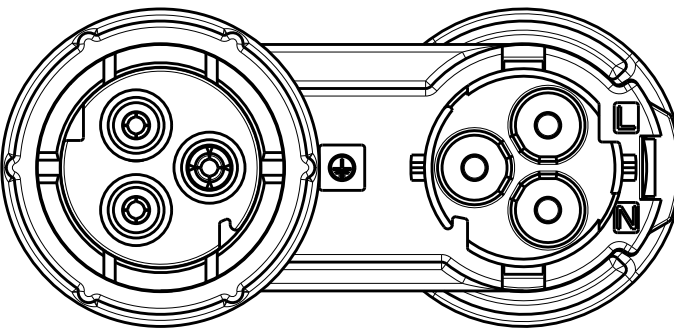
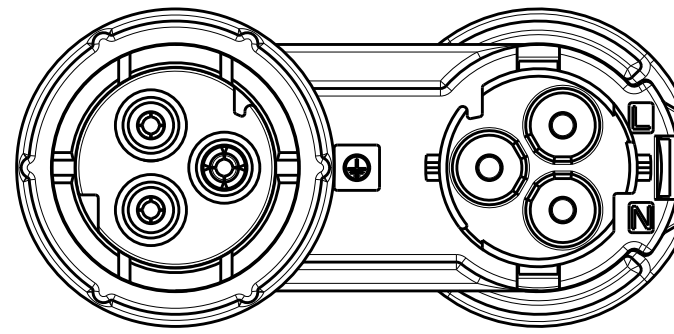
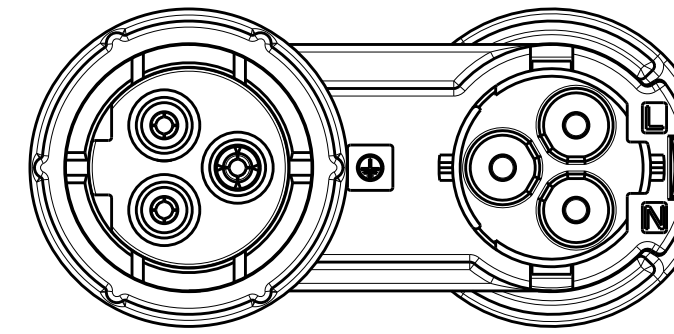
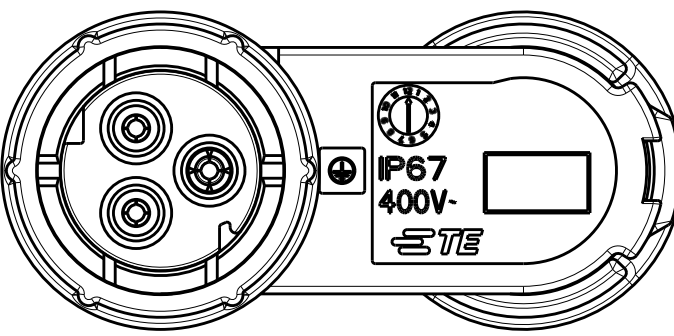
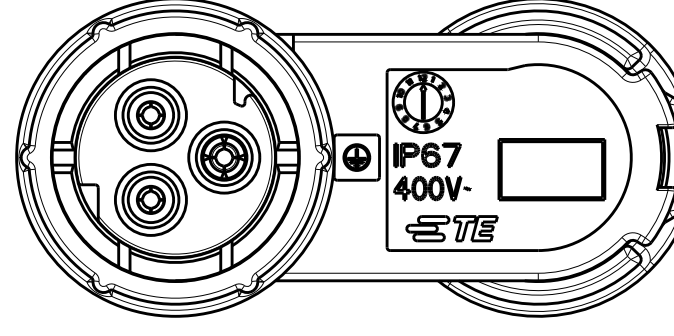
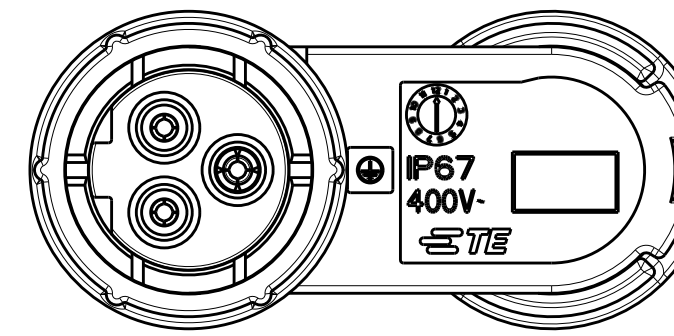





THIS DRAWING IS A CONTROLLED DOCUMENT.		DWN C. DAILY 24FEB2014	TE Connectivity	
		CHK M. STOLLER 24FEB2014		
DIMENSIONS:		APVD	NAME	
mm		-	T-SPLITTER, NECTOR M, 3 POSN, SEALED	
TOLERANCES UNLESS OTHERWISE SPECIFIED:		PRODUCT SPEC	-	
0 PLC $\pm$		108-133014	-	
1 PLC $\pm 0.3$		APPLICATION SPEC	-	
2 PLC $\pm 0.20$		114-32111	-	
3 PLC $\pm$		WEIGHT	-	
4 PLC $\pm$		-	-	
ANGLES $\pm 3^\circ$		Customer Drawing	-	
FINISH		SCALE 5:2	SHEET 1 OF 2	
MATERIAL		RESTRICTED TO	REV B	
1				


THIS DRAWING IS UNPUBLISHED. RELEASED FOR PUBLICATION 20  
 © COPYRIGHT 20 BY - ALL RIGHTS RESERVED.

LOC		DIST		REVISIONS			
P	LTR	DESCRIPTION	DATE	DWN	APVD		
-	-	SEE SHEET 1	-	-	-		

POLARIZATION KEYS

TYPE "A"	TYPE "B"	TYPE "C"
		
		
P/N 2213434-1	P/N 2213434-2	P/N 2213434-3

	T-SPLITTER CONNECTOR SEALED VERS. NECTOR M, 3 POSITION	C	2213434-3
	T-SPLITTER CONNECTOR SEALED VERS. NECTOR M, 3 POSITION	B	2213434-2
	T-SPLITTER CONNECTOR SEALED VERS. NECTOR M, 3 POSITION	A	2213434-1
NOTE	DESCRIPTION	POL. KEYS	PART NUMBER

THIS DRAWING IS A CONTROLLED DOCUMENT.		DWN C. DAILY 24FEB2014	 TE Connectivity	
		CHK M. STOLLER 24FEB2014		
DIMENSIONS: mm		APVD -		NAME T-SPLITTER, NECTOR M, 3 POSN, SEALED
TOLERANCES UNLESS OTHERWISE SPECIFIED: 0 PLC ± 1 PLC ±0.3 2 PLC ±0.20 3 PLC ± 4 PLC ± ANGLES ±3° FINISH		PRODUCT SPEC 108-133014	RESTRICTED TO -	
MATERIAL -		APPLICATION SPEC 114-32111	SIZE A2	CAGE CODE -
		WEIGHT -	DRAWING NO C-2213434	
		Customer Drawing		SCALE 2:1 SHEET 2 OF 2 REV B