



Chipsmall Limited consists of a professional team with an average of over 10 year of expertise in the distribution of electronic components. Based in Hongkong, we have already established firm and mutual-benefit business relationships with customers from,Europe,America and south Asia,supplying obsolete and hard-to-find components to meet their specific needs.

With the principle of “Quality Parts,Customers Priority,Honest Operation,and Considerate Service”,our business mainly focus on the distribution of electronic components. Line cards we deal with include Microchip,ALPS,ROHM,Xilinx,Pulse,ON,Everlight and Freescale. Main products comprise IC,Modules,Potentiometer,IC Socket,Relay,Connector.Our parts cover such applications as commercial,industrial, and automotives areas.

We are looking forward to setting up business relationship with you and hope to provide you with the best service and solution. Let us make a better world for our industry!



## Contact us

Tel: +86-755-8981 8866 Fax: +86-755-8427 6832

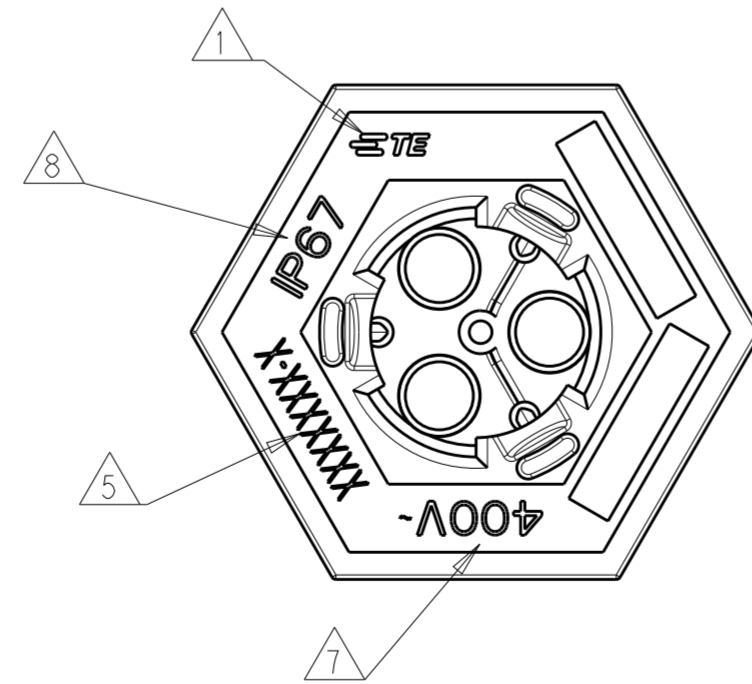
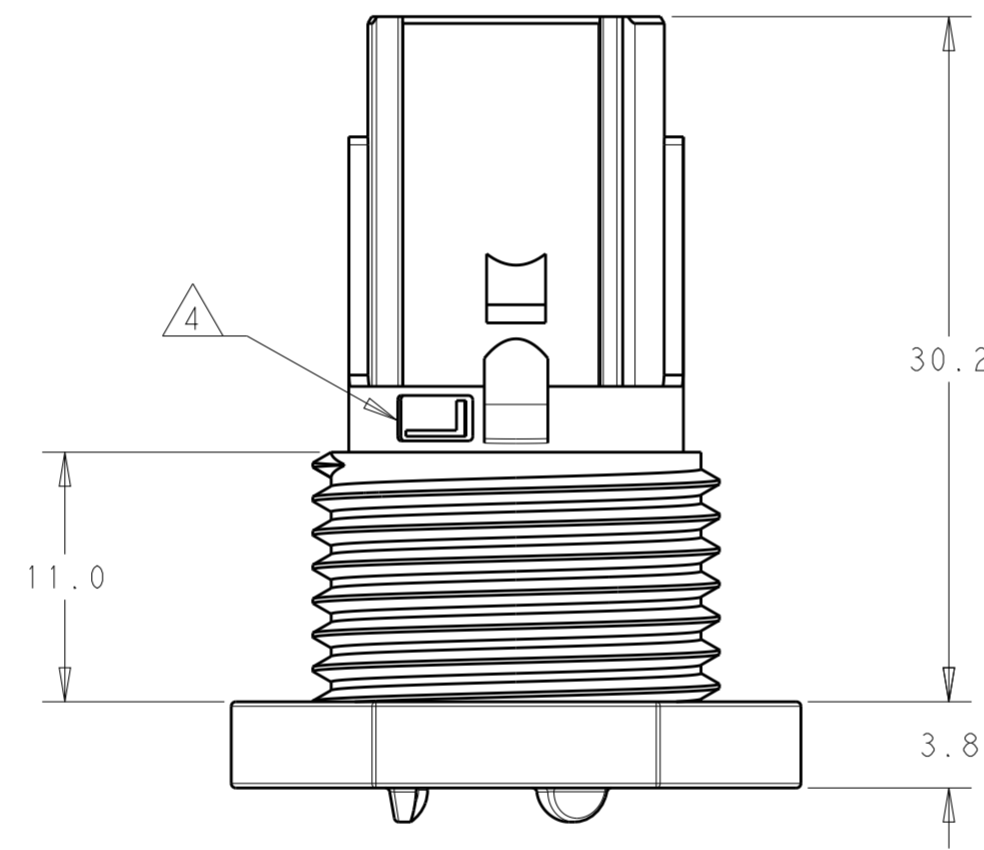
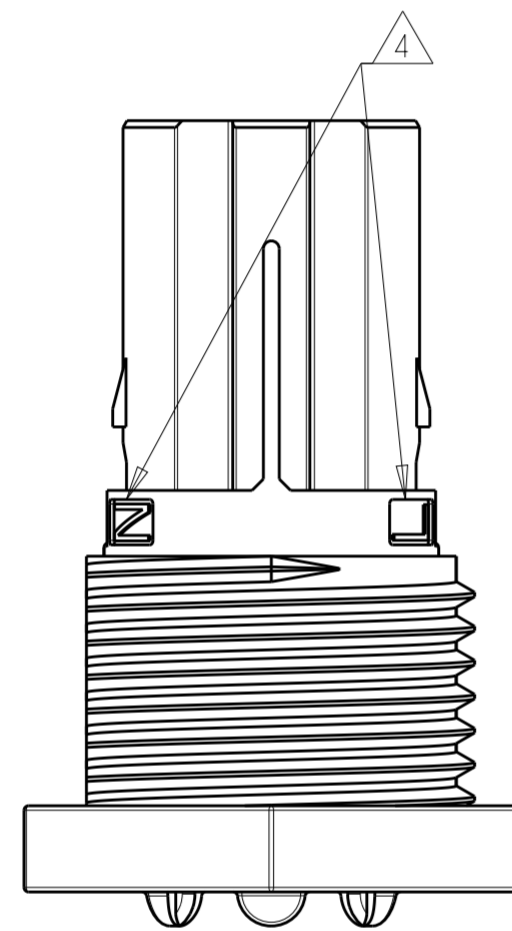
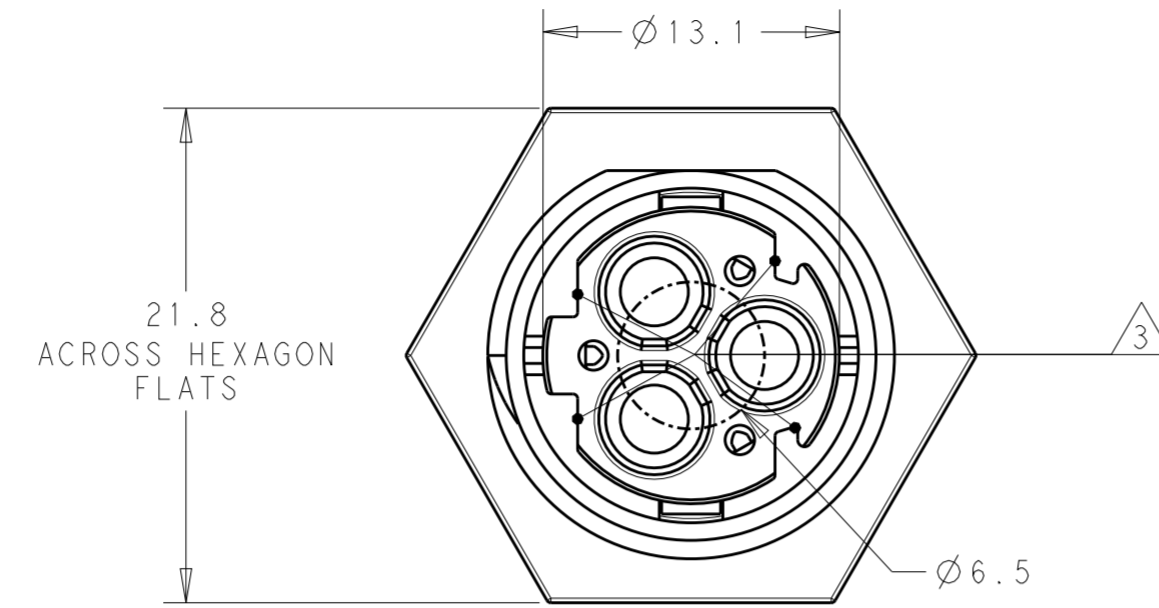
Email & Skype: info@chipsmall.com Web: www.chipsmall.com

Address: A1208, Overseas Decoration Building, #122 Zhenhua RD., Futian, Shenzhen, China



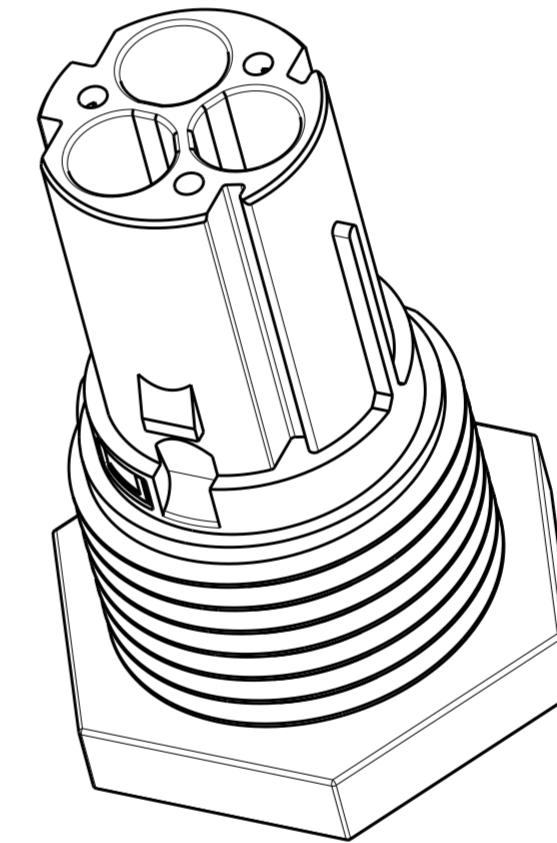
THIS DRAWING IS UNPUBLISHED. RELEASED FOR PUBLICATION 20  
 © COPYRIGHT 20 BY - ALL RIGHTS RESERVED.

REVISIONS					
P	LTR	DESCRIPTION	DATE	DWN	APVD
A		REVISED AS PER ECR-15-005925	21APR2015	RS	JL
B		REVISED AS PER ECR-15-009789	07JUL2015	RS	JL
B1		REVISED AS PER ECR-15-011223	06AUG2015	RS	JL



NOTES:

- MATERIAL: GLASS FILLED PBT, COLOR: BLACK
- MUST COMPLY WITH DIRECTIVE 2002/95/EC (ROHS)
- ALL POLARIZATION KEYS SHOWN FOR REF ONLY.
- CIRCUIT I.D.
- TE PART NUMBER
- TE LOGO
- VOLTAGE RATING
- IP CODE
- THIS PRODUCT HAS NOT COMPLETED VALIDATION TESTING



C	PANEL MOUNT PIN SEALED NECTOR 3 POSITION	2213464-3
B	PANEL MOUNT PIN SEALED NECTOR 3 POSITION	2213464-2
A	PANEL MOUNT PIN SEALED NECTOR 3 POSITION	2213464-1
POLARIZATION TYPE	DESCRIPTION	PART NUMBER

DIMENSIONS:		TOLERANCES UNLESS OTHERWISE SPECIFIED:		APVD		NAME	
mm	0 PLC ±	1 PLC ±0.3	2 PLC ±0.20	20MAR2014	DWN J. SHAFFER		
	3 PLC ±	4 PLC ±	ANGLES ±	20MAR2014	CHK M. LUKSIC		
	FINISH -			20MAR2014	APVD M. LUKSIC		
MATERIAL	TBD			PRODUCT SPEC	108-133014		
				APPLICATION SPEC	114-32111		
				WEIGHT	-		
				Customer Drawing	SCALE	2:1	SHEET 1 OF 2
							REV B1

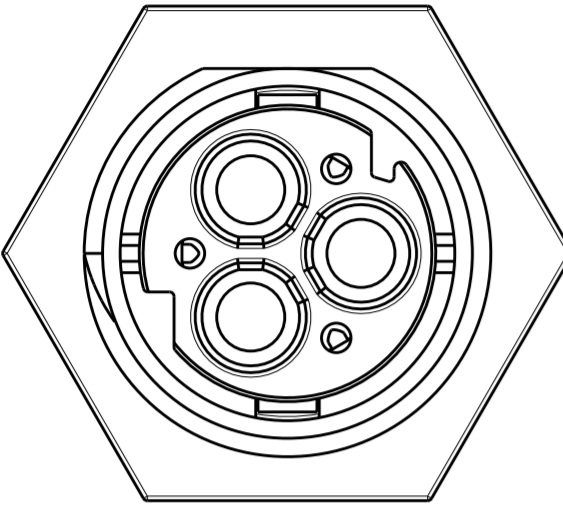
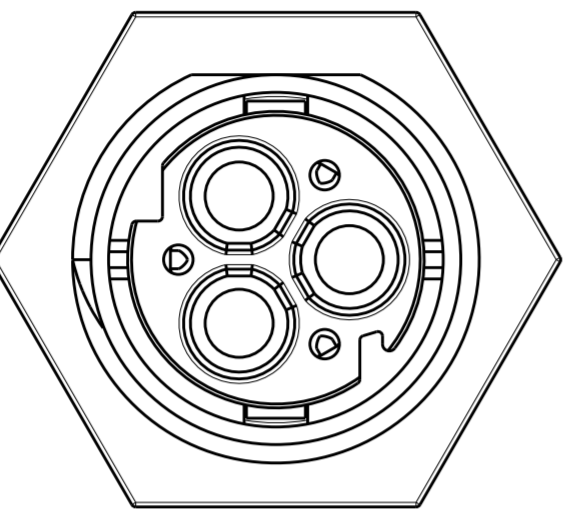
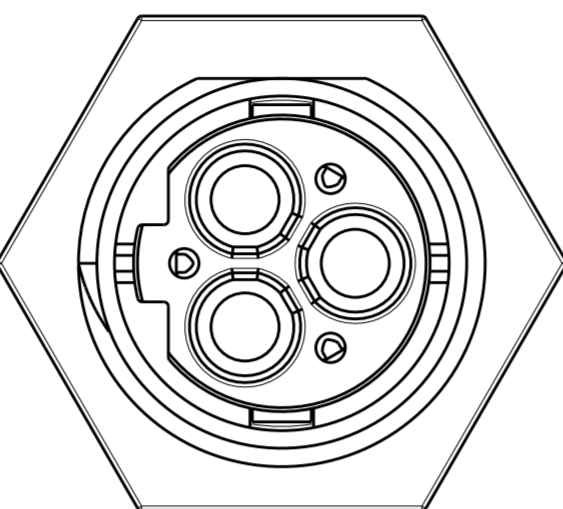


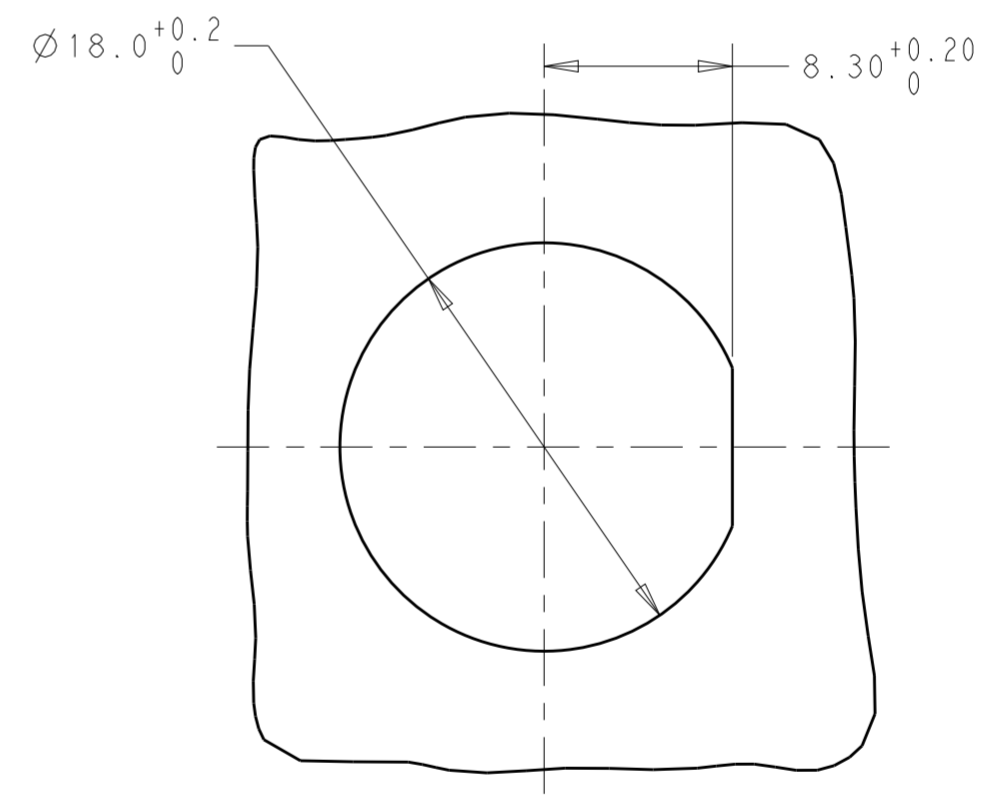
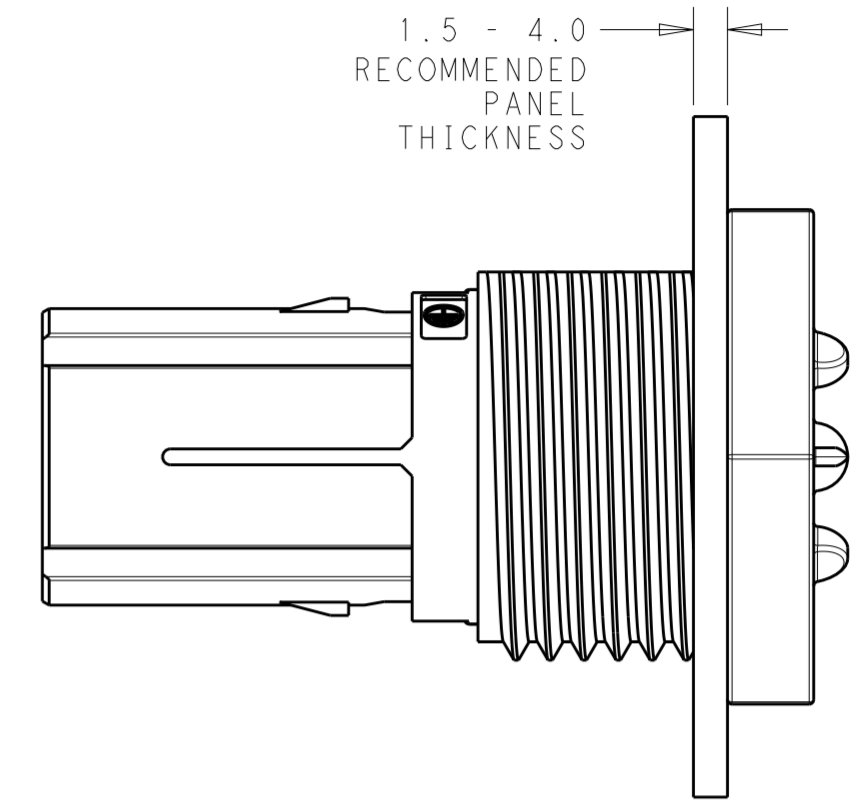
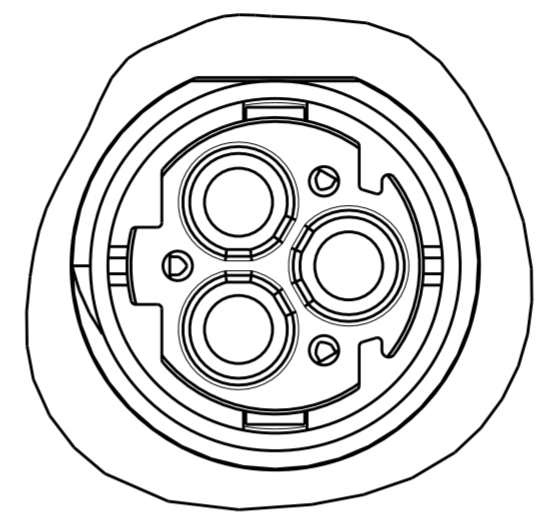
PANEL MOUNT, PIN; SEALED NECTOR M 3 POSITION

THIS DRAWING IS UNPUBLISHED. RELEASED FOR PUBLICATION 20  
 © COPYRIGHT 20 BY - ALL RIGHTS RESERVED.

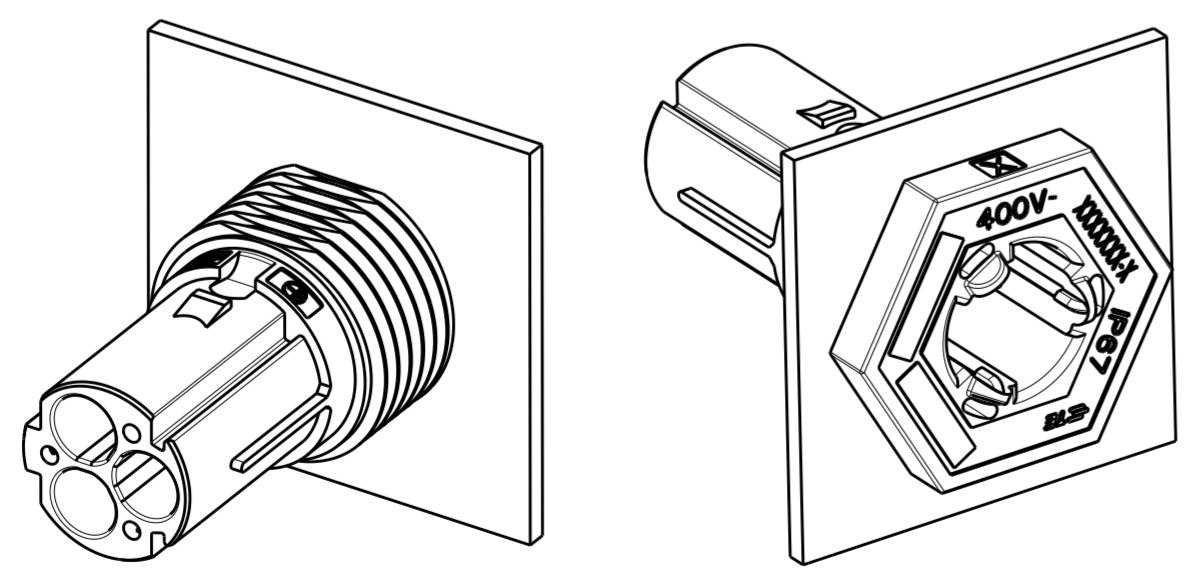
REVISIONS				
P	LTR	DESCRIPTION	DATE	APVD
-		SEE SHEET 1	-	-

### POLARIZATION TYPES


POLARIZATION TYPE "A"	POLARIZATION TYPE "B"	POLARIZATION TYPE "C"
		
PN 2213464-1	PN 2213464-2	PN 2213464-3



RECOMMENDED  
PANEL CUTOUT



3D VIEWS  
FOR REFERENCE ONLY

THIS DRAWING IS A CONTROLLED DOCUMENT.		DWN J. SHAFFER 20MAR2014	 TE Connectivity	
DIMENSIONS: mm		CHK M. LUKSIC 20MAR2014		
TOLERANCES UNLESS OTHERWISE SPECIFIED:		APVD M. LUKSIC 20MAR2014	NAME PANEL MOUNT, PIN; SEALED NECTOR M 3 POSITION	
0 PLC ±	1 PLC ±0.3	PRODUCT SPEC 108-133014	SIZE A2	CAGE CODE -
2 PLC ±0.20	3 PLC ±	APPLICATION SPEC 114-32111	DRAWING NO. G-2213464	RESTRICTED TO -
4 PLC ±	ANGLES ±3°	WEIGHT -	SCALE 2:1	SHEET 2 OF 2
MATERIAL TBD	FINISH -	Customer Drawing	REV B1	