



Chipsmall Limited consists of a professional team with an average of over 10 year of expertise in the distribution of electronic components. Based in Hongkong, we have already established firm and mutual-benefit business relationships with customers from,Europe,America and south Asia,supplying obsolete and hard-to-find components to meet their specific needs.

With the principle of “Quality Parts,Customers Priority,Honest Operation,and Considerate Service”,our business mainly focus on the distribution of electronic components. Line cards we deal with include Microchip,ALPS,ROHM,Xilinx,Pulse,ON,Everlight and Freescale. Main products comprise IC,Modules,Potentiometer,IC Socket,Relay,Connector.Our parts cover such applications as commercial,industrial, and automotives areas.

We are looking forward to setting up business relationship with you and hope to provide you with the best service and solution. Let us make a better world for our industry!



Contact us

Tel: +86-755-8981 8866 Fax: +86-755-8427 6832

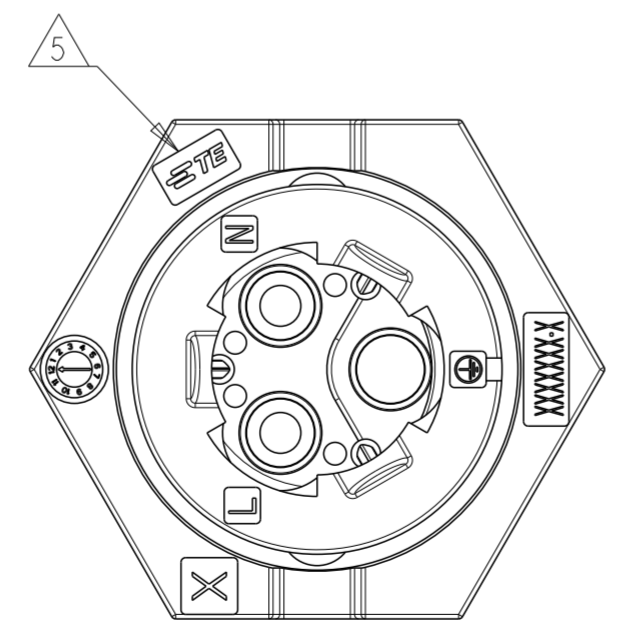
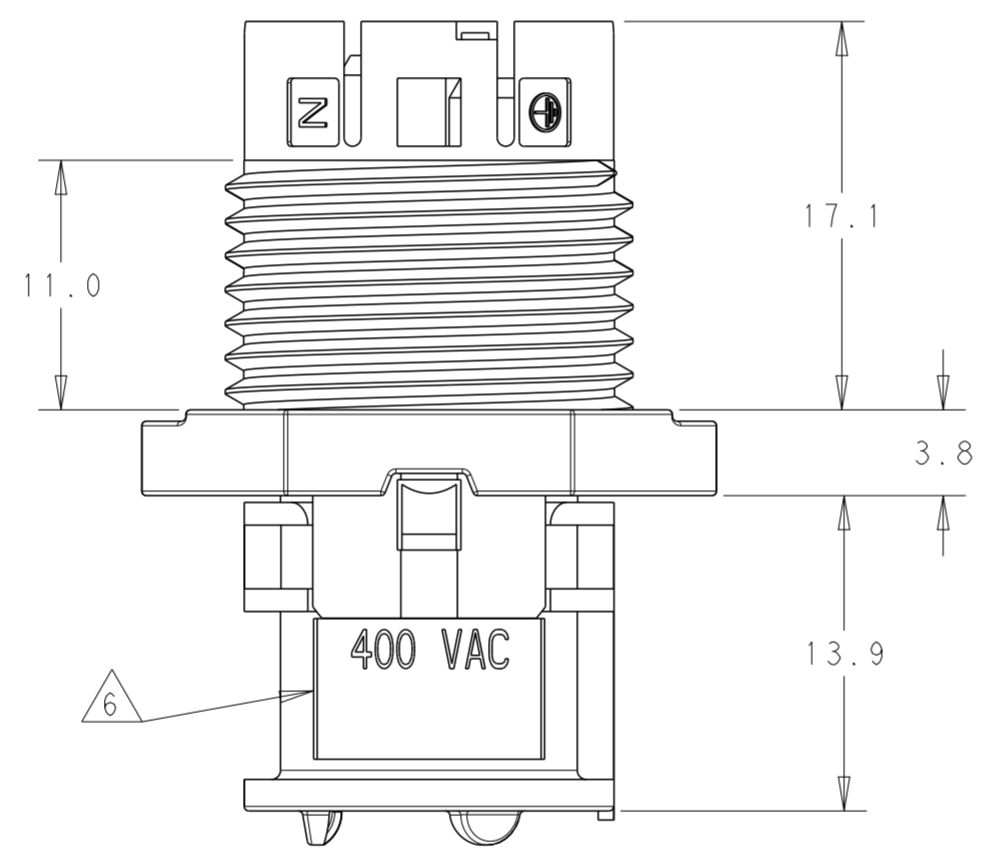
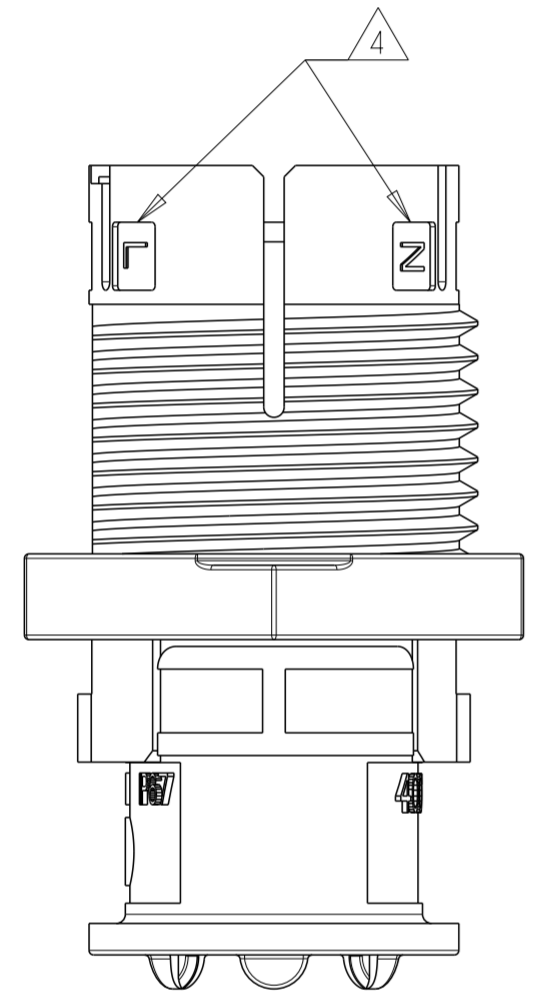
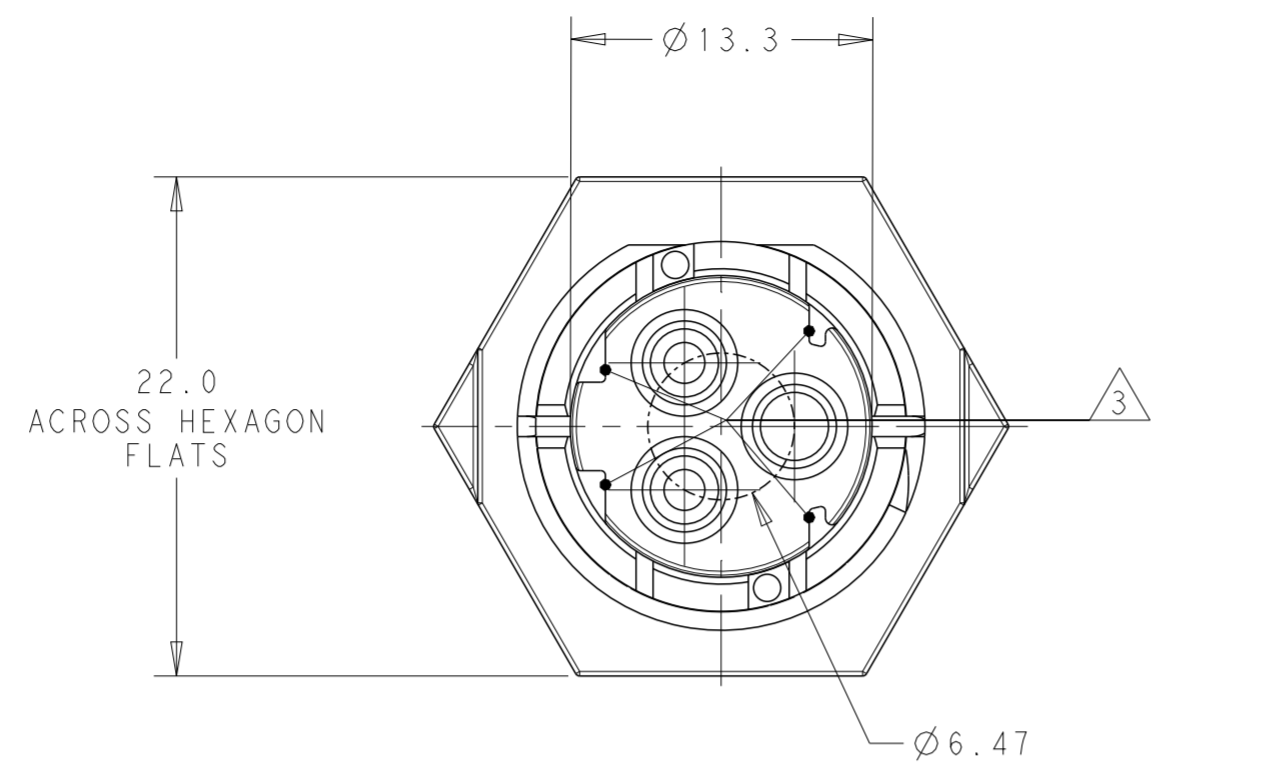
Email & Skype: info@chipsmall.com Web: www.chipsmall.com

Address: A1208, Overseas Decoration Building, #122 Zhenhua RD., Futian, Shenzhen, China



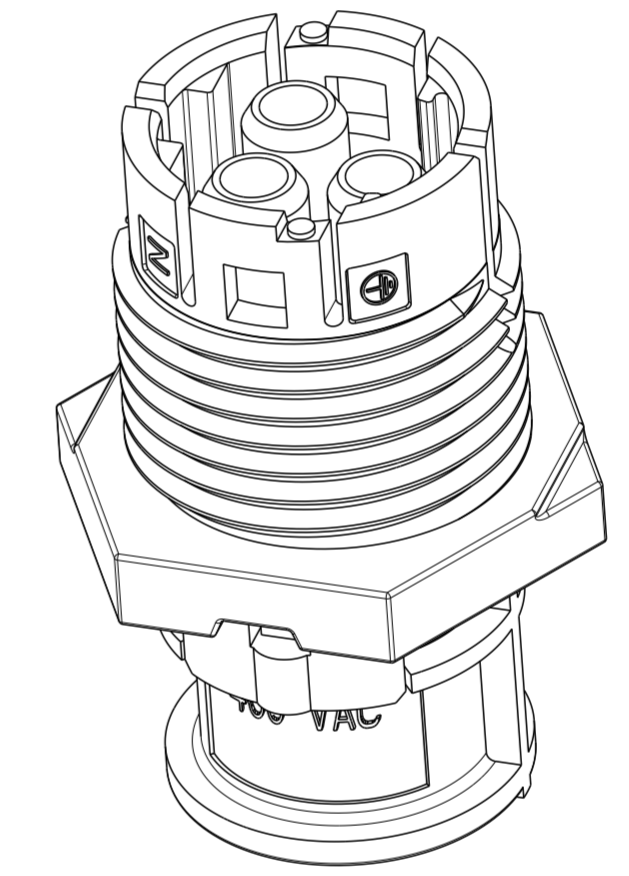
THIS DRAWING IS UNPUBLISHED. RELEASED FOR PUBLICATION 20
 © COPYRIGHT 20 BY - ALL RIGHTS RESERVED.

REVISIONS					
P	LTR	DESCRIPTION	DATE	DWN	APVD
	A	REVISED AS PER ECR-15-005925	22APR2015	RS	JL



NOTES:

- MATERIAL: GLASS FILLED PBT, COLOR: BLACK
- MUST COMPLY WITH DIRECTIVE 2002/95/EC (ROHS)
- ALL POLARIZATION KEYS SHOWN FOR REF ONLY.
- CIRCUIT I.D.
- TE LOGO
- VOLTAGE RATING
- THIS PRODUCT HAS NOT COMPLETED VALIDATION TESTING



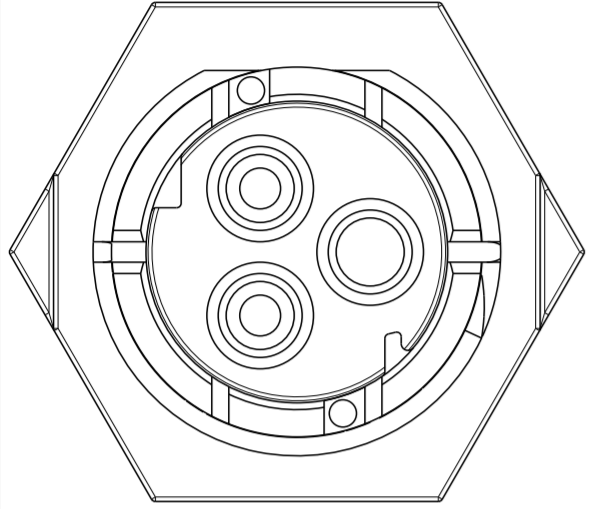
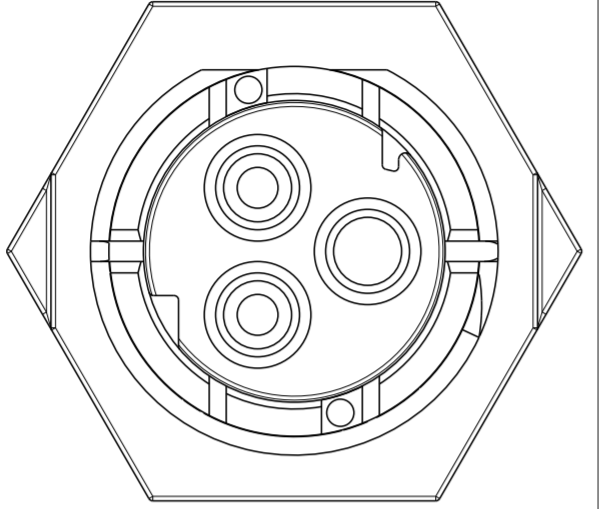
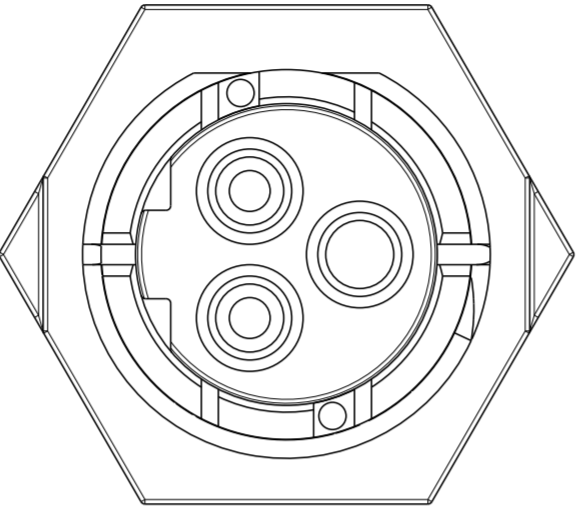
C	PANEL MOUNT SOCKET SEALED NECTOR 3 POSITION	2213468-3
B	PANEL MOUNT SOCKET SEALED NECTOR 3 POSITION	2213468-2
A	PANEL MOUNT SOCKET SEALED NECTOR 3 POSITION	2213468-1
POLARIZATION TYPE	DESCRIPTION	PART NUMBER

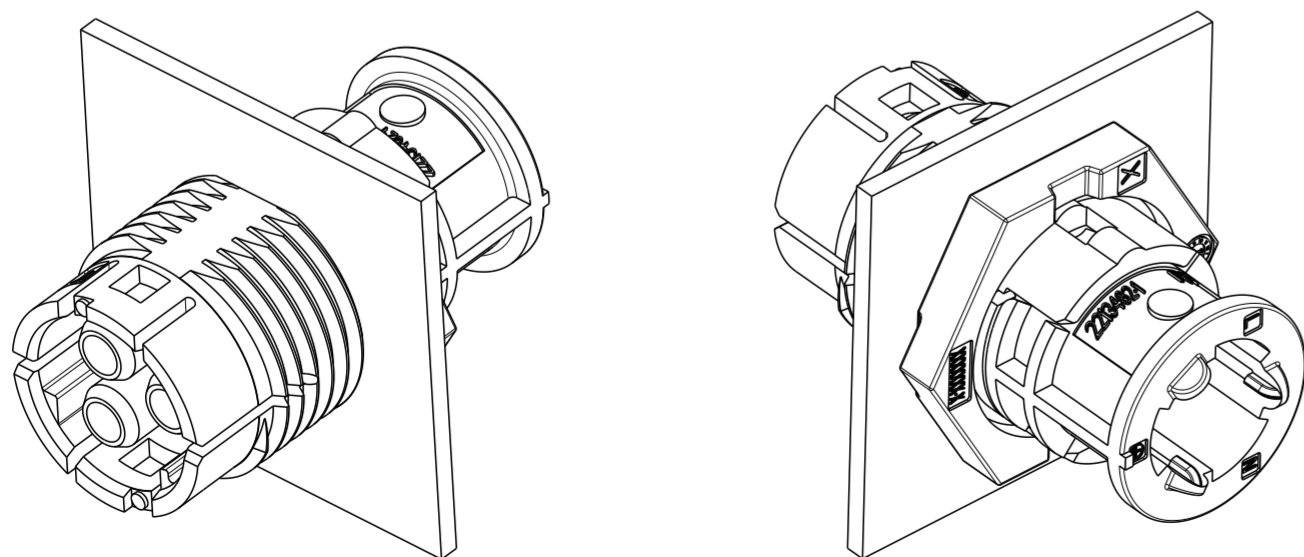
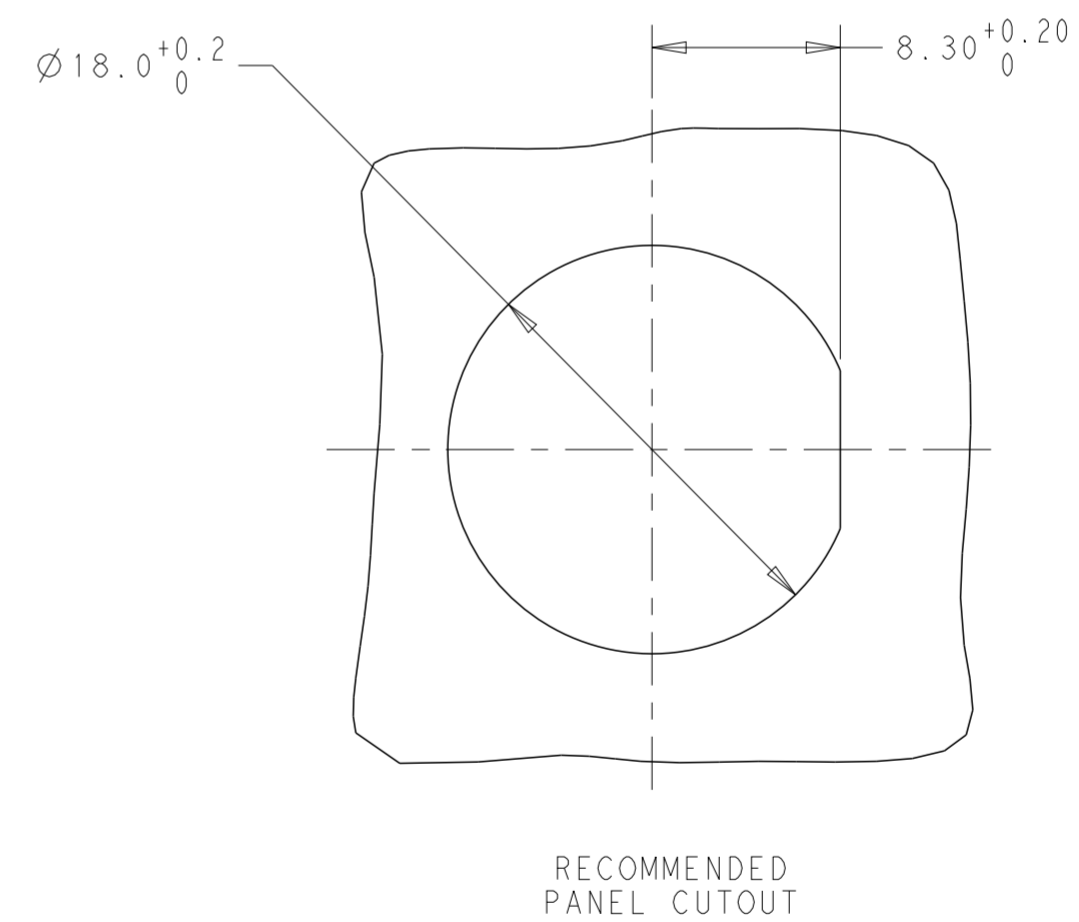
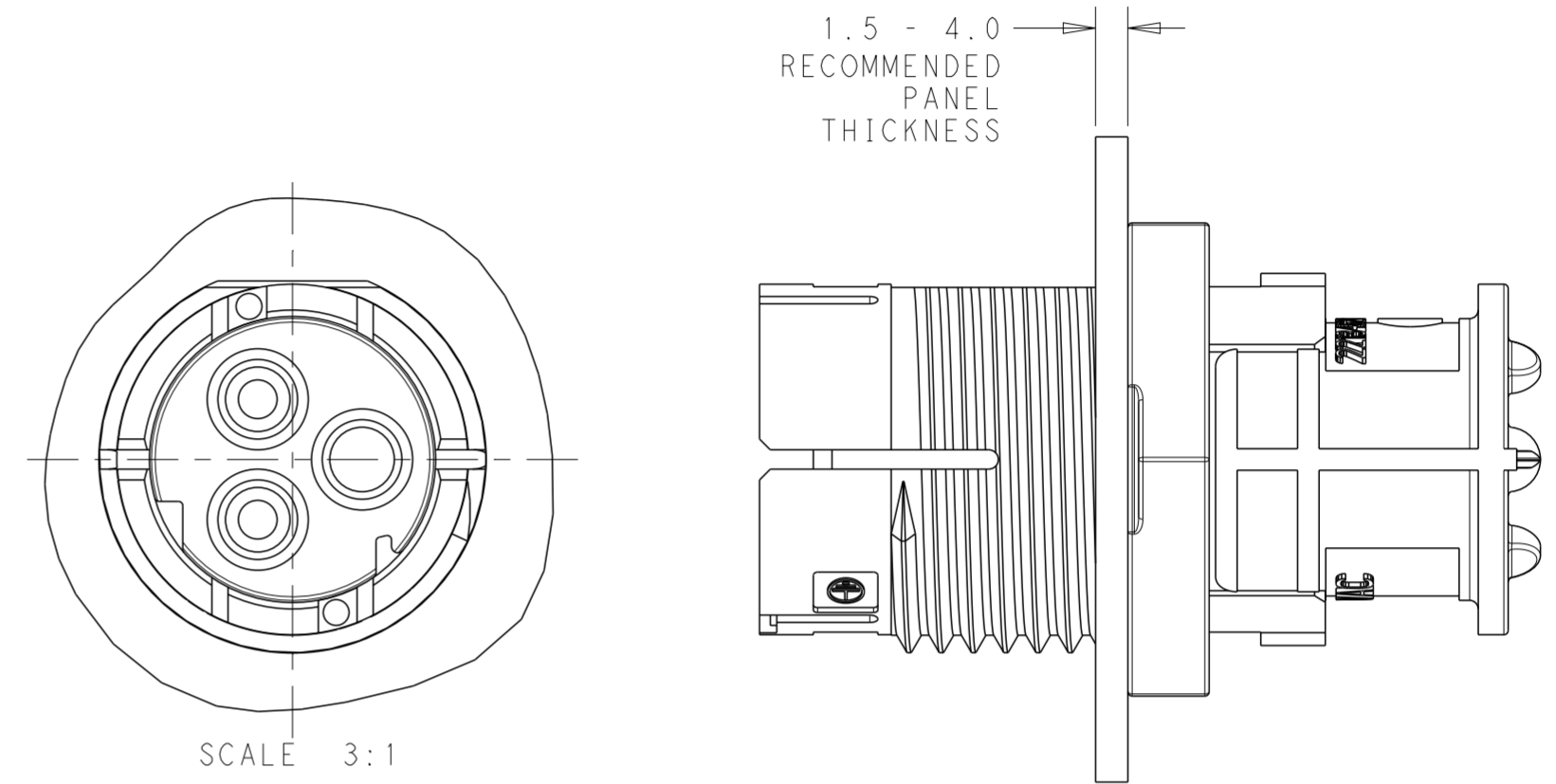
THIS DRAWING IS A CONTROLLED DOCUMENT.		DWN J. SHAFFER 20MAR2014	TE Connectivity		
DIMENSIONS: mm		CHK M. LUKSIC 20MAR2014			
TOLERANCES UNLESS OTHERWISE SPECIFIED:		APVD M. LUKSIC 20MAR2014	NAME PANEL MOUNT, SOCKET; SEALED NECTOR M 3 POSITION		
0 PLC ±	1 PLC ±0.3	PRODUCT SPEC 108-133014	SIZE A2	CAGE CODE -	DRAWING NO C-2213468
2 PLC ±0.20	3 PLC ±	APPLICATION SPEC 114-32111	RESTRICTED TO -	SCALE 1:1 SHEET 1 OF 2 REV A	
4 PLC ±	ANGLES ±3°	WEIGHT -	Customer Drawing		
FINISH -	-				

THIS DRAWING IS UNPUBLISHED. RELEASED FOR PUBLICATION 20
 © COPYRIGHT 20 BY - ALL RIGHTS RESERVED.


REVISIONS				
P	LTR	DESCRIPTION	DATE	APVD
-		SEE SHEET 1	-	-

POLARIZATION TYPES

POLARIZATION TYPE "A"	POLARIZATION TYPE "B"	POLARIZATION TYPE "C"
		
PN 2213468-1	PN 2213468-2	PN 2213468-3



3D VIEWS
FOR REFERENCE ONLY

THIS DRAWING IS A CONTROLLED DOCUMENT.		DWN J. SHAFFER 20MAR2014	 TE Connectivity	
DIMENSIONS: mm		CHK M. LUKSIC 20MAR2014		
TOLERANCES UNLESS OTHERWISE SPECIFIED:		APVD M. LUKSIC 20MAR2014	NAME PANEL MOUNT, SOCKET; SEALED NECTOR M 3 POSITION	
0 PLC ±	1 PLC ±0.3	PRODUCT SPEC 108-133014	SIZE A2	CAGE CODE -
2 PLC ±0.20	3 PLC ±	APPLICATION SPEC 114-32111	DRAWING NO G-2213468	RESTRICTED TO -
4 PLC ±	ANGLES ±3°	WEIGHT -	SCALE 1:1	SHEET 2 OF 2
MATERIAL TBD	FINISH -	Customer Drawing	REV A	